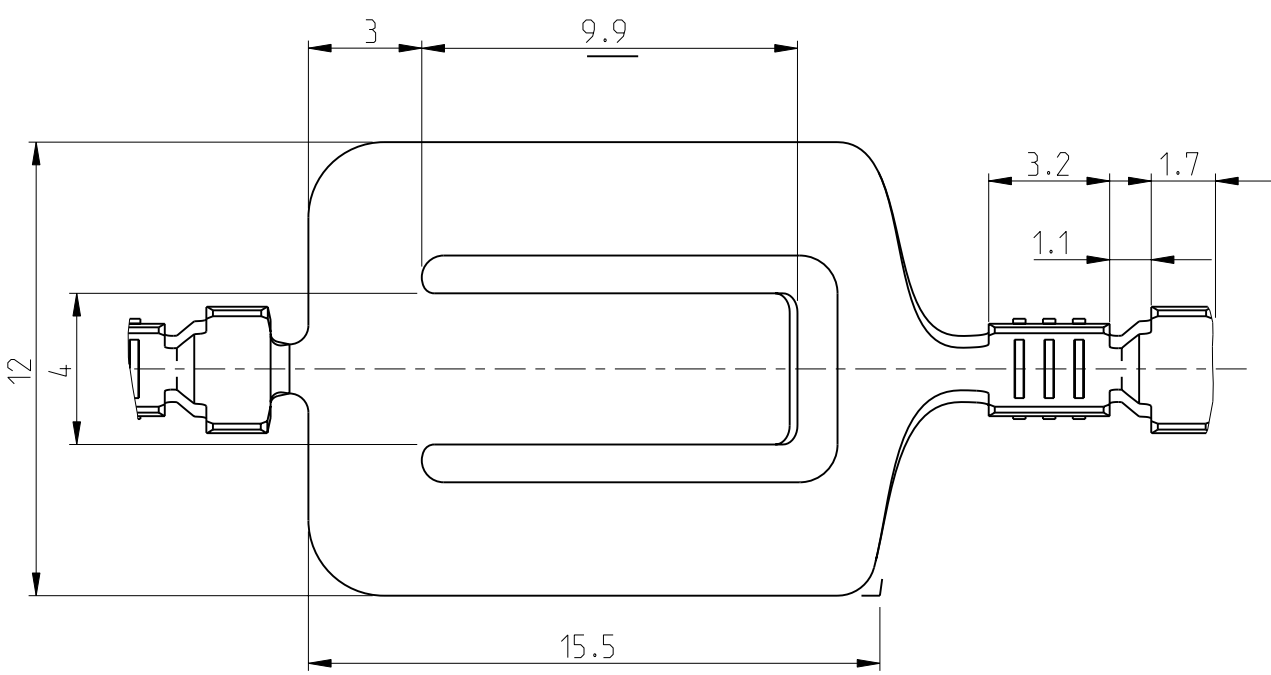
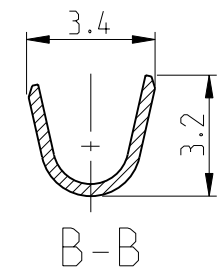
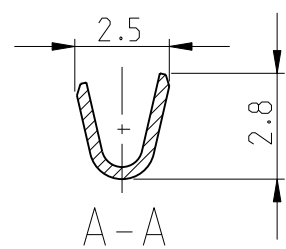
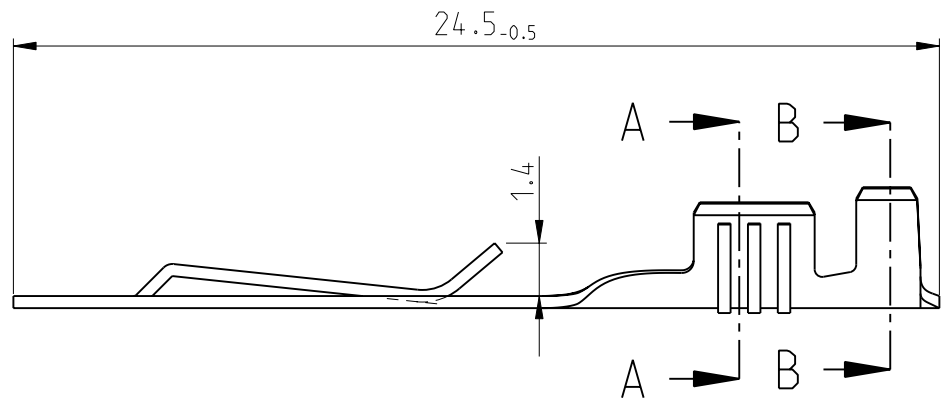


THIS DRAWING IS UNPUBLISHED. RELEASED FOR PUBLICATION 2008  
 © COPYRIGHT 2008 BY TYCO ELECTRONICS CORPORATION. ALL RIGHTS RESERVED.

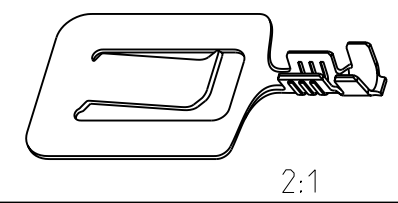
LOC	DIST	REVISIONS			
P	LTR	DESCRIPTION	DATE	DWN	APVD
A1	-	K1	DRAWN TO Pro/E	115DEC2008	SRE SZA
		K2	24+0.5 changed to 24,5-0.5	11FEB2009	KVUR SZA



NOTES:

1. WIRE CRIMP: 0.5 - 1.0 mm<sup>2</sup>
2. ISOLATION: Ø1.4 - Ø2.1 mm (BRAIDS WITH REDUCED ISOLATION Z.B FL-X)
3. STOCK THK: 0.32

PRE TINNED	MATERIAL	PART NO
PRE TINNED	CuSn4	927925-2
PRE TINNED	CuZn30	927925-1



<small>THIS DRAWING IS A CONTROLLED DOCUMENT FOR TYCO ELECTRONICS CORPORATION IT IS SUBJECT TO CHANGE AND THE CONTROLLING ENGINEERING ORGANIZATION SHOULD BE CONTACTED FOR THE LATEST REVISION.</small>		DWN BLUNCK 23DEC1981 CHK KNELL 06JUN1982 APVD - PRODUCT SPEC - APPLICATION SPEC - WEIGHT -	<b>Tyco Electronics</b> Tyco Electronics AMP GmbH 64625 Bensheim (Germany)
DIMENSIONS: mm 	TOLERANCES UNLESS OTHERWISE SPECIFIED: 0 PLC ± - 1 PLC ± - 2 PLC ± 0.2 3 PLC ± 0.2 4 PLC ± - ANGLES ± 1°	NAME <b>GROUNDING CUP FOR TV</b> <b>Erdungsklemme fuer TV - Bildroehre</b>	SIZE A3 CAGE CODE 00779 DRAWING NO 927925 RESTRICTED TO -
MATERIAL SEE TABLE	FINISH SEE TABLE	CUSTOMER DRAWING	SCALE 5:1 SHEET 1 OF 2 REV K2

4

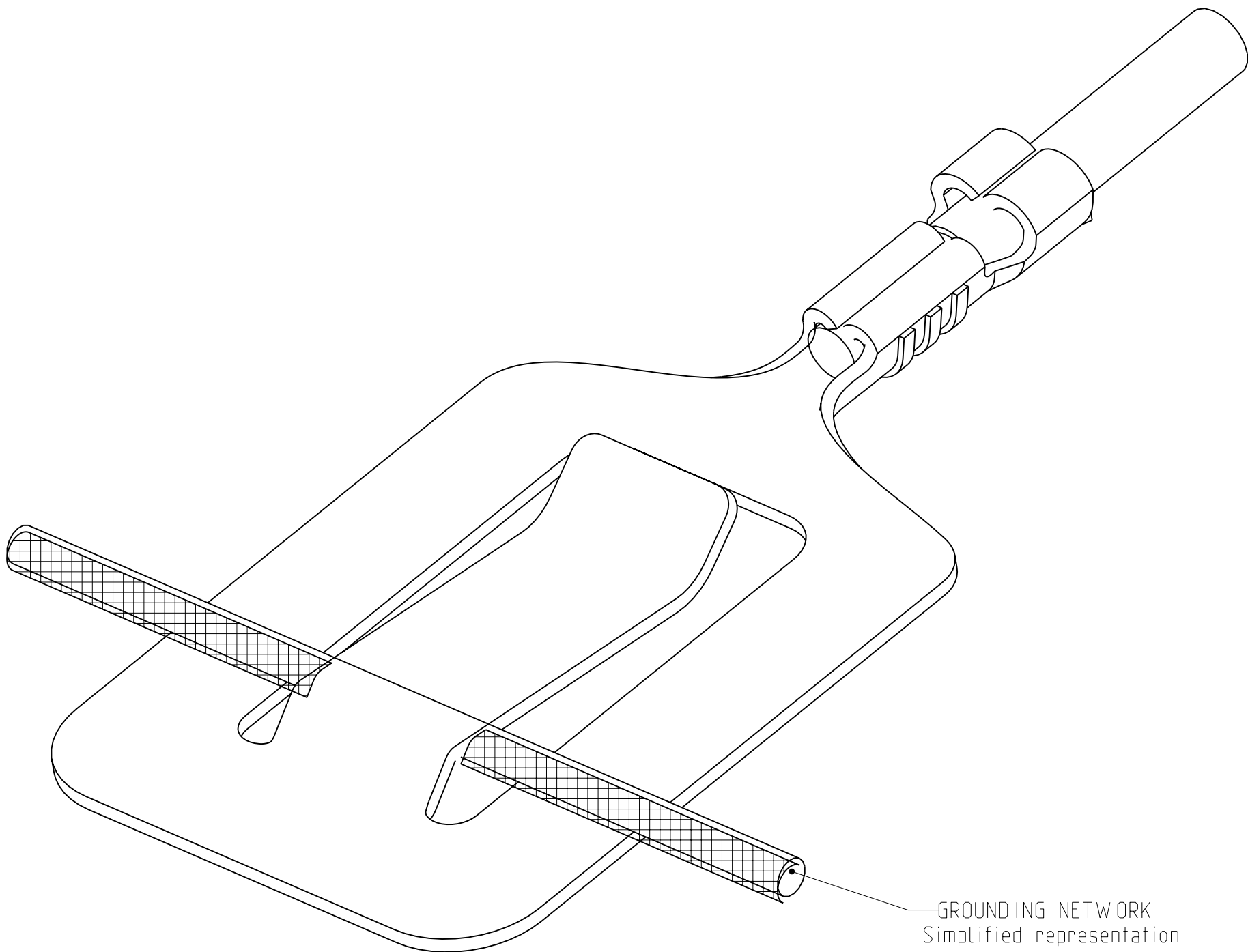
3

2

1

THIS DRAWING IS UNPUBLISHED. RELEASED FOR PUBLICATION 2008  
 © COPYRIGHT 2008 BY TYCO ELECTRONICS CORPORATION. ALL RIGHTS RESERVED.

LOC	DIST	REVISIONS			
P	LTR	DESCRIPTION	DATE	DWN	APVD
	-	SEE SHEET 11	-	-	-



GROUNDING NETWORK  
Simplified representation

<small>THIS DRAWING IS A CONTROLLED DOCUMENT FOR TYCO ELECTRONICS CORPORATION IT IS SUBJECT TO CHANGE AND THE CONTROLLING ENGINEERING ORGANIZATION SHOULD BE CONTACTED FOR THE LATEST REVISION.</small>		DWN BLUNCK 23DEC1981 CHK KNELL 06JUN1982 APVD - PRODUCT SPEC - APPLICATION SPEC - WEIGHT -	Tyco Electronics AMP GmbH 64625 Bensheim (Germany)	NAME <b>GROUNDING CUP FOR TV</b> Erdungsklemme fuer TV - Bildroehre	RESTRICTED TO -
DIMENSIONS: mm 	TOLERANCES UNLESS OTHERWISE SPECIFIED: 0 PLC ± - 1 PLC ± - 2 PLC ± 0.2 3 PLC ± 0.2 4 PLC ± - ANGLES ± 1°	FINISH SEE SHEET 1	SIZE A3	CAGE CODE 00779	DRAWING NO G-927925
MATERIAL SEE SHEET 1	FINISH SEE SHEET 1	CUSTOMER DRAWING	SCALE 5:1	SHEET 2 OF 2	REV K2