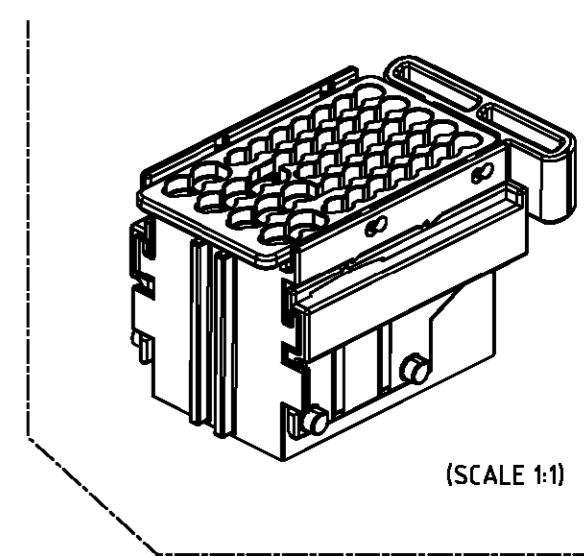
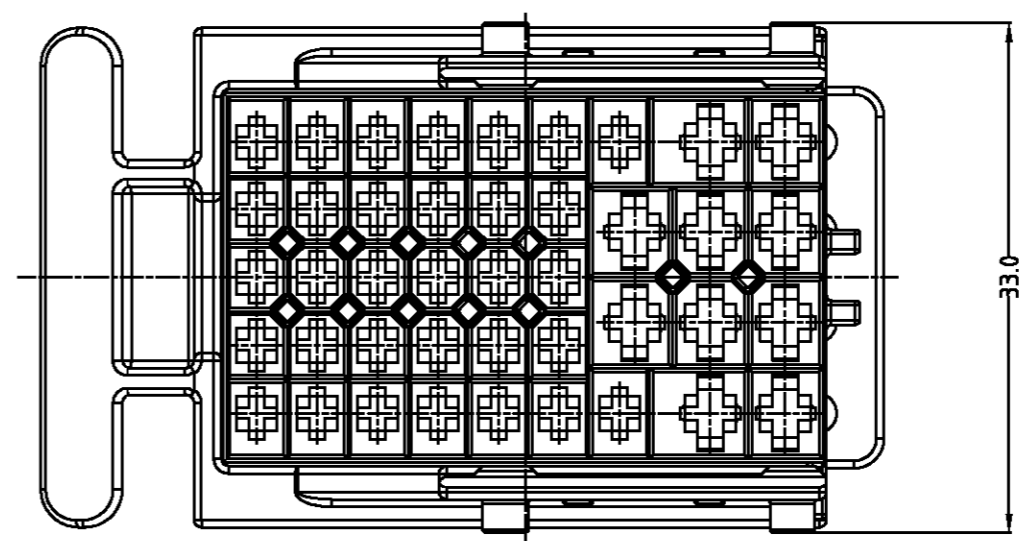
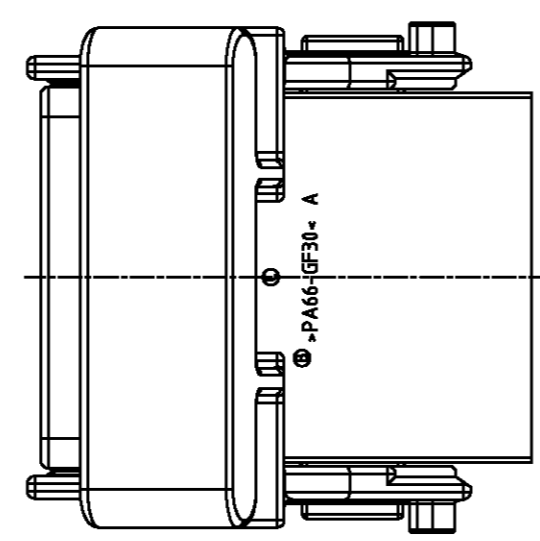
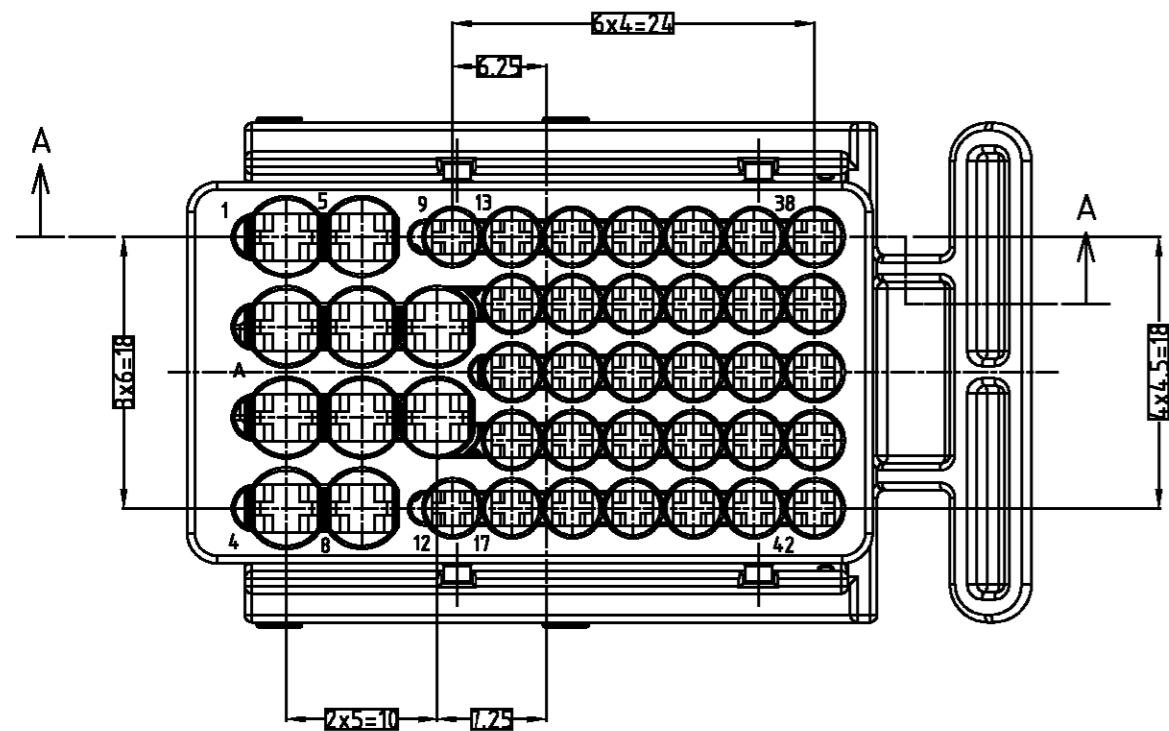


THIS DRAWING IS UNPUBLISHED. RELEASED FOR PUBLICATION
 COPYRIGHT BY TYCO ELECTRONICS CORPORATION. ALL RIGHTS RESERVED.

| LOC | | DIST | | REVISIONS | | | | |
|-----|-----|------------------------|-----------|-----------|------|--|--|--|
| P | LTR | DESCRIPTION | DATE | DWN | APVD | | | |
| 0 | | RELEASED(FC00-0113-03) | 22/AUG/03 | MS | CS | | | |
| A | | REVISED(FC00-0027-04) | 13/FEB/04 | MS | CS | | | |
| B | | REVISED(FC00-0189-04) | 10/AUG/04 | YD. | CS | | | |
| C | | REVISED(FC00-0044-05) | 14/FEB/05 | SB | CS | | | |



- NOTES:
1. GENERAL TOLERANCE IS ± 0.3
 2. CONDITION OF DELIVERY :
 DBL IN 1ST. LOCKING POSITION
 SLIDE LEVER IN 2ND. LOCKING POSITION
 3. APPLIED CAP ASS'Y P/N: 0-936429-2,-4, 1-936429-2, 2-936429-3
 APPLIED INNER SEAL P/N: 0-936863-1
 APPLIED WIRE COVER P/N: 0-936615-2
 4. APPLIED RECEPTACLE CONTACT P/N : TABLE 1

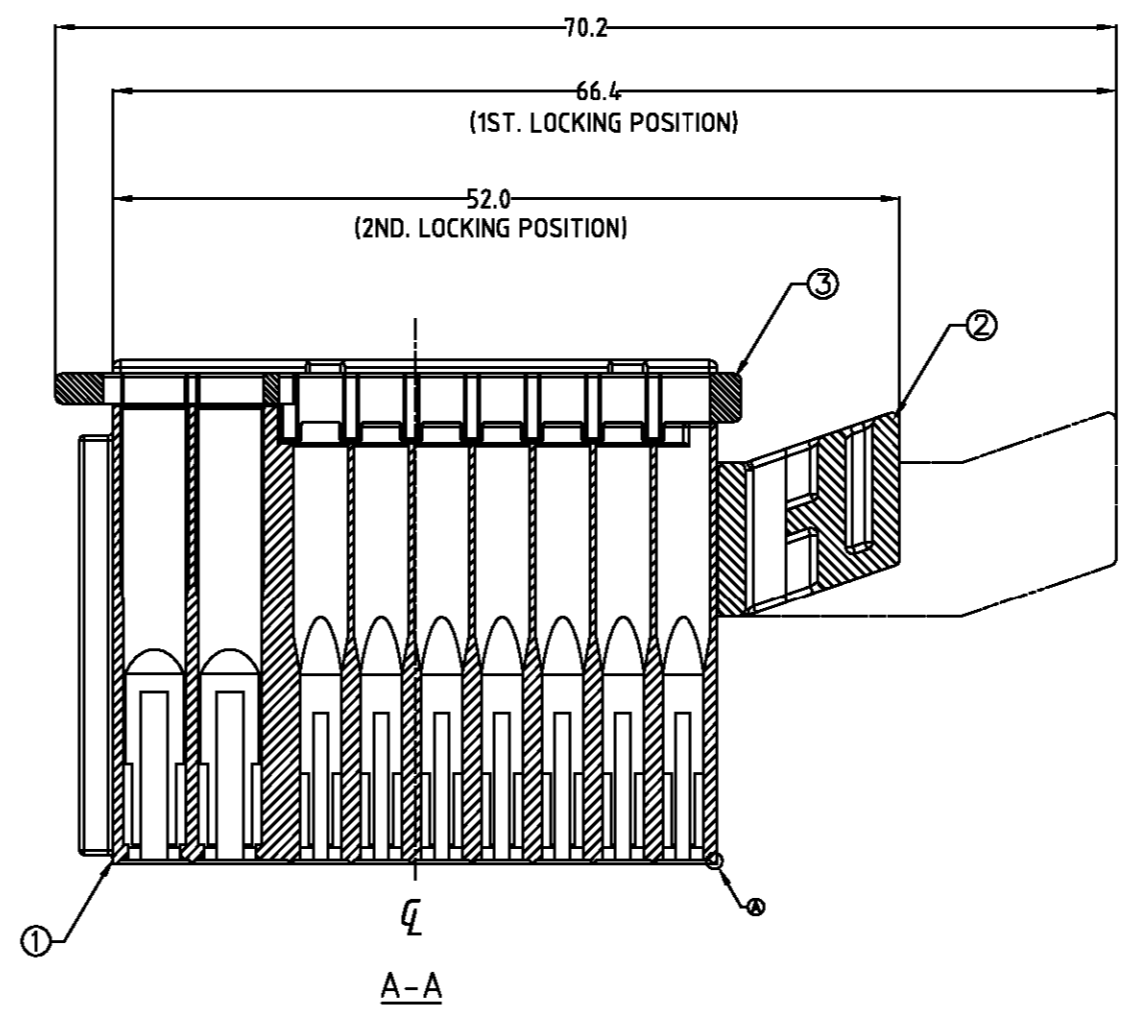
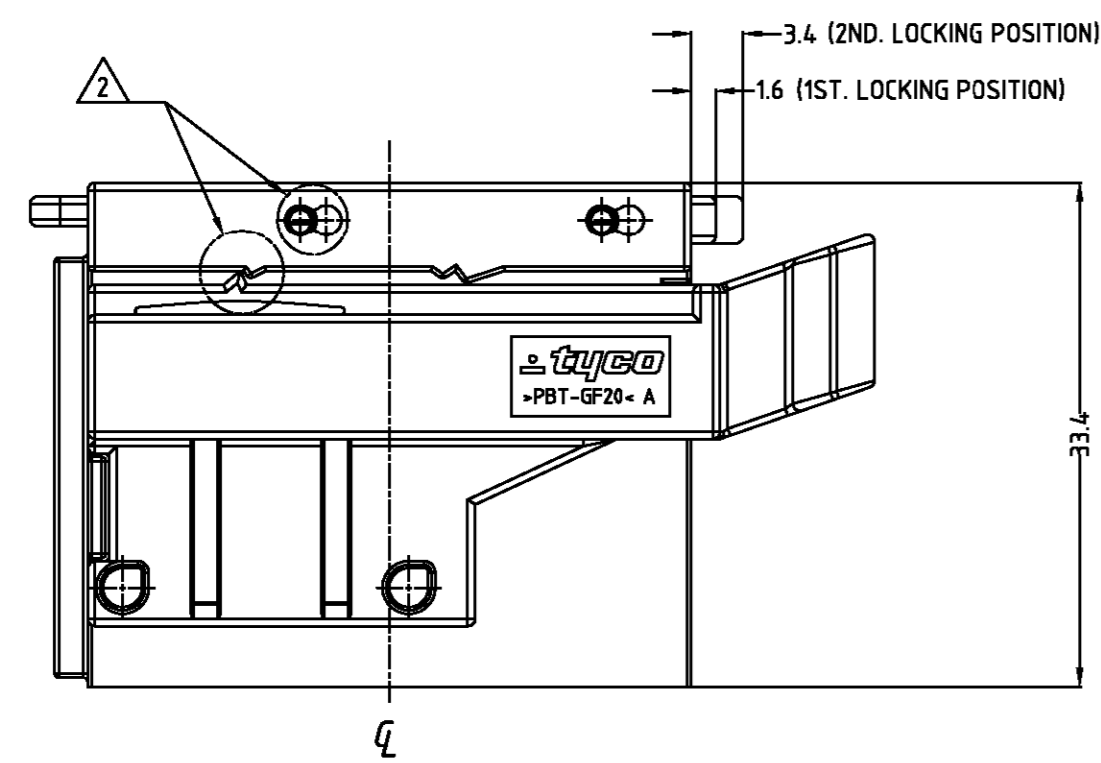


TABLE 1-

| TYPE | Part NO. | WIRE SIZE(mm ²) | FINISH |
|-------|------------|-----------------------------|-------------|
| MT II | 0-962875-1 | 0.25-0.5 | CuSn4 |
| | 0-962875-3 | | CuSn4(GOLD) |
| | 0-962876-1 | 0.5-1.0 | CuSn4 |
| | 0-962876-3 | | CuSn4(GOLD) |
| JPT | 0-927770-3 | 0.5-0.85 | CuSn4 |
| | 2-927770-1 | | CuSn4(GOLD) |
| | 0-927766-3 | 1.25-2.0 | CuSn4 |
| | 2-927766-1 | | CuSn4(GOLD) |

| | | | | | ASSEMBLY PART NO. | | |
|----|------------|-------------|-----------|-----------|-------------------|------------|------------|
| | | | | | 0-936421-4 | 0-936421-3 | 0-936421-2 |
| ③ | 0-936428-5 | DBL HSG | PBT GF30 | YELLOW | 1 | 1 | 1 |
| ② | 0-936423-4 | SLIDE HSG | PBT GF20 | BROWN | 1 | - | - |
| ② | 0-936423-3 | SLIDE HSG | PBT GF20 | DARK GRAY | - | 1 | - |
| ② | 0-936423-2 | SLIDE HSG | PBT GF20 | BLACK | - | - | 1 |
| ① | 0-936422-4 | PLUG HSG | PA66 GF30 | BROWN | 1 | - | - |
| ① | 0-936422-3 | PLUG HSG | PA66 GF30 | DARK GRAY | - | 1 | - |
| ① | 0-936422-2 | PLUG HSG | PA66 GF30 | BLACK | - | - | 1 |
| NO | P/N | DESCRIPTION | MATERIAL | COLOR | Q'TY | | |

THIS DRAWING IS A CONTROLLED DOCUMENT FOR TYCO ELECTRONICS CORPORATION. IT IS SUBJECT TO CHANGE AND THE CONTROLLING ENGINEERING ORGANIZATION SHOULD BE CONTACTED FOR THE LATEST REVISION.

DIMENSIONS: mm

TOLERANCES UNLESS OTHERWISE SPECIFIED:
 0-XX-10 ± 0.2
 10-XX-30 ± 0.25
 30-XX ± 0.3
 ANGLES $\pm 3^\circ$

3rd ANGLE PROJECTION

MATERIAL SEE TABLE

FINISH

WEIGHT

DWN : SB LEE
 CHK : BN JANG
 APVD : CS LEE

PRODUCT SPEC
 APPLICATION SPEC

tyco Electronics

AMP KOREA.
 kyungsan, korea

NAME
 PLUG ASSEMBLY FOR MTII/JPT HYBRID SEALED 42P CONN'R

SIZE A2 CAGE CODE 00779 DRAWING NO 936421 RESTRICTED TO

SCALE 2/1 SHEET 1 OF 1 REV C