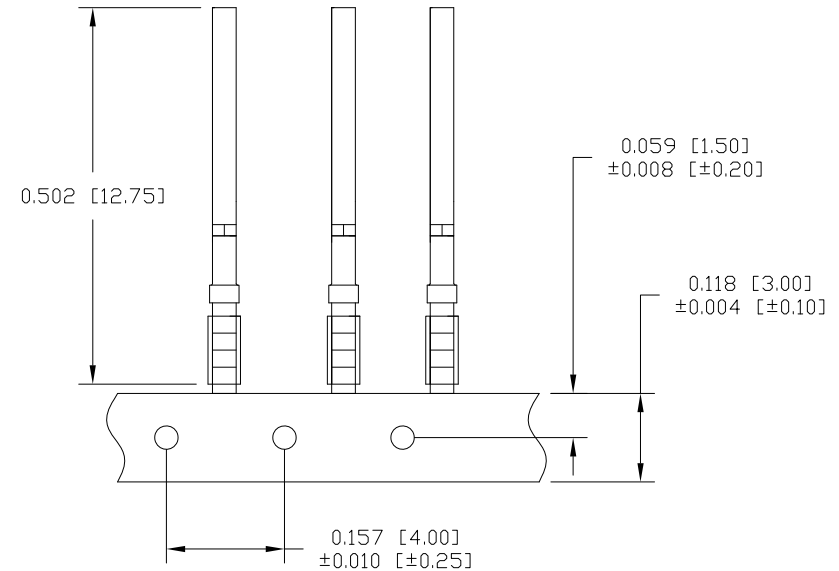
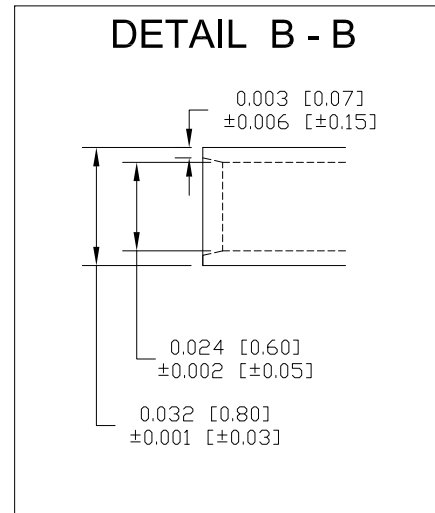
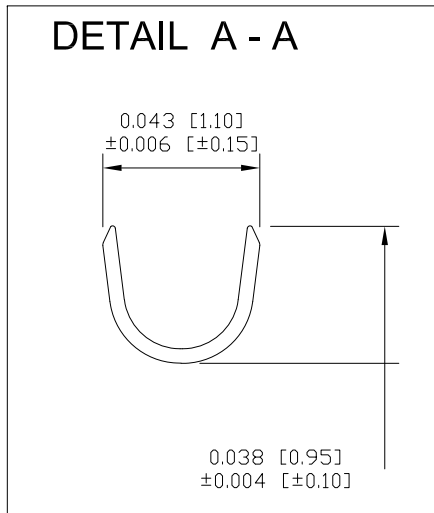
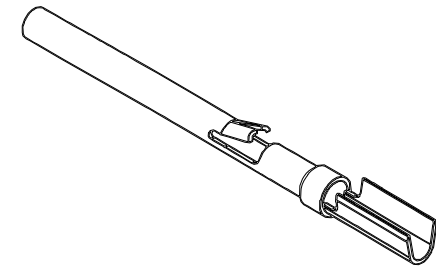
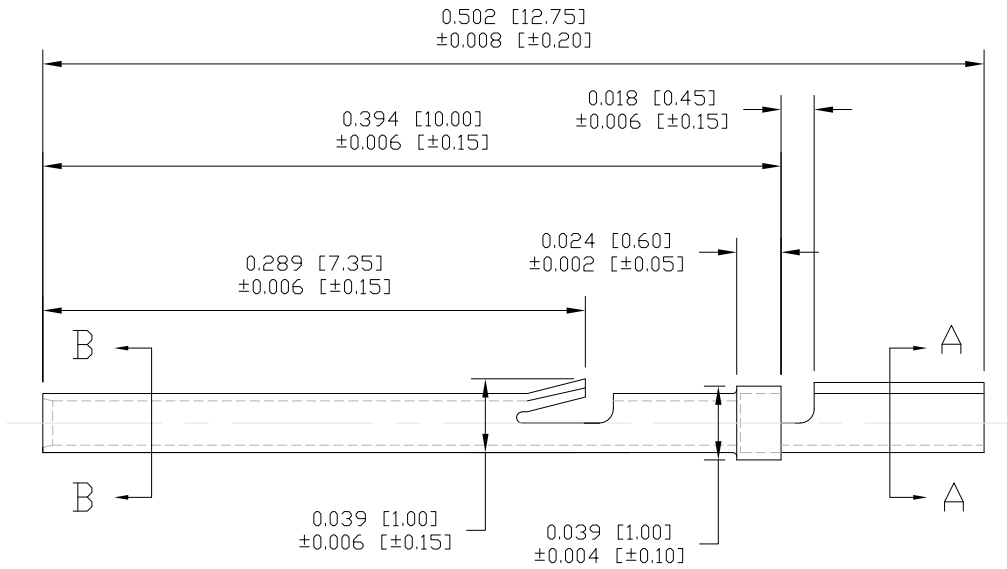


MATERIAL: PHOSPHOR BRONZE
 PLATING: 15µ" MIN. GOLD ON MATING END;
 ALL UNDERPLATING NICKEL
 WIRE AWG: 26AWG OR 28AWG
 QTY: 10K PER REEL



RoHS COMPLIANT

UNITS = inch [mm]

DO NOT SCALE FROM DRAWING



THESE DRAWINGS AND SPECIFICATIONS ARE THE PROPERTY OF NorComp AND SHALL NOT BE REPRODUCED, COPIED OR USED AS THE BASIS FOR THE MANUFACTURE OR SALE OF APPARATUS WITHOUT WRITTEN PERMISSION.

DRAWN:
M. SIGMON

DATE:
08/10/2011

NorComp

SCALE:
NTS

SHEET 1 OF 1

REV 2

DWG NO.

960-001-170L005