

8 7 6 5 4 3 2 1

D

C

B

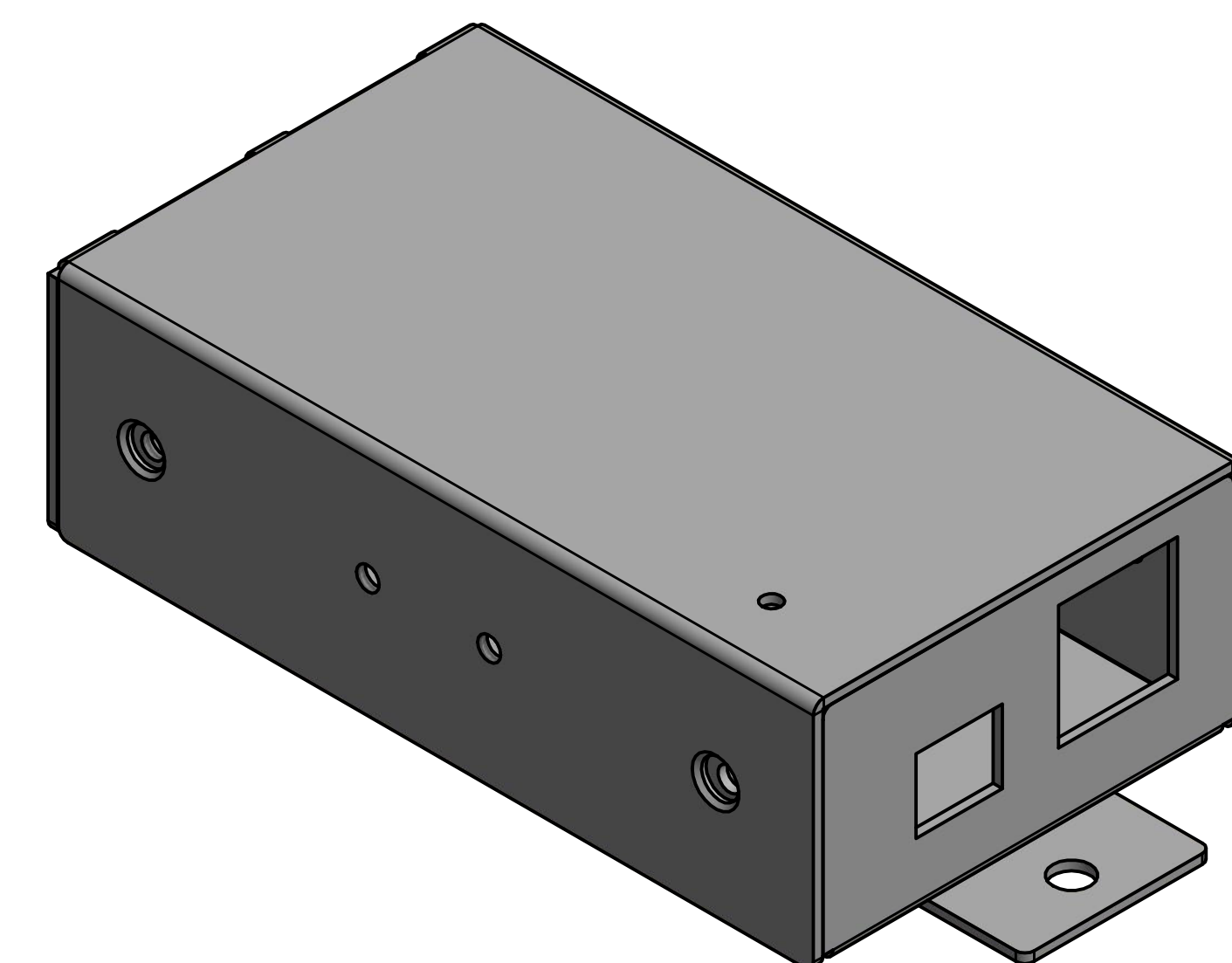
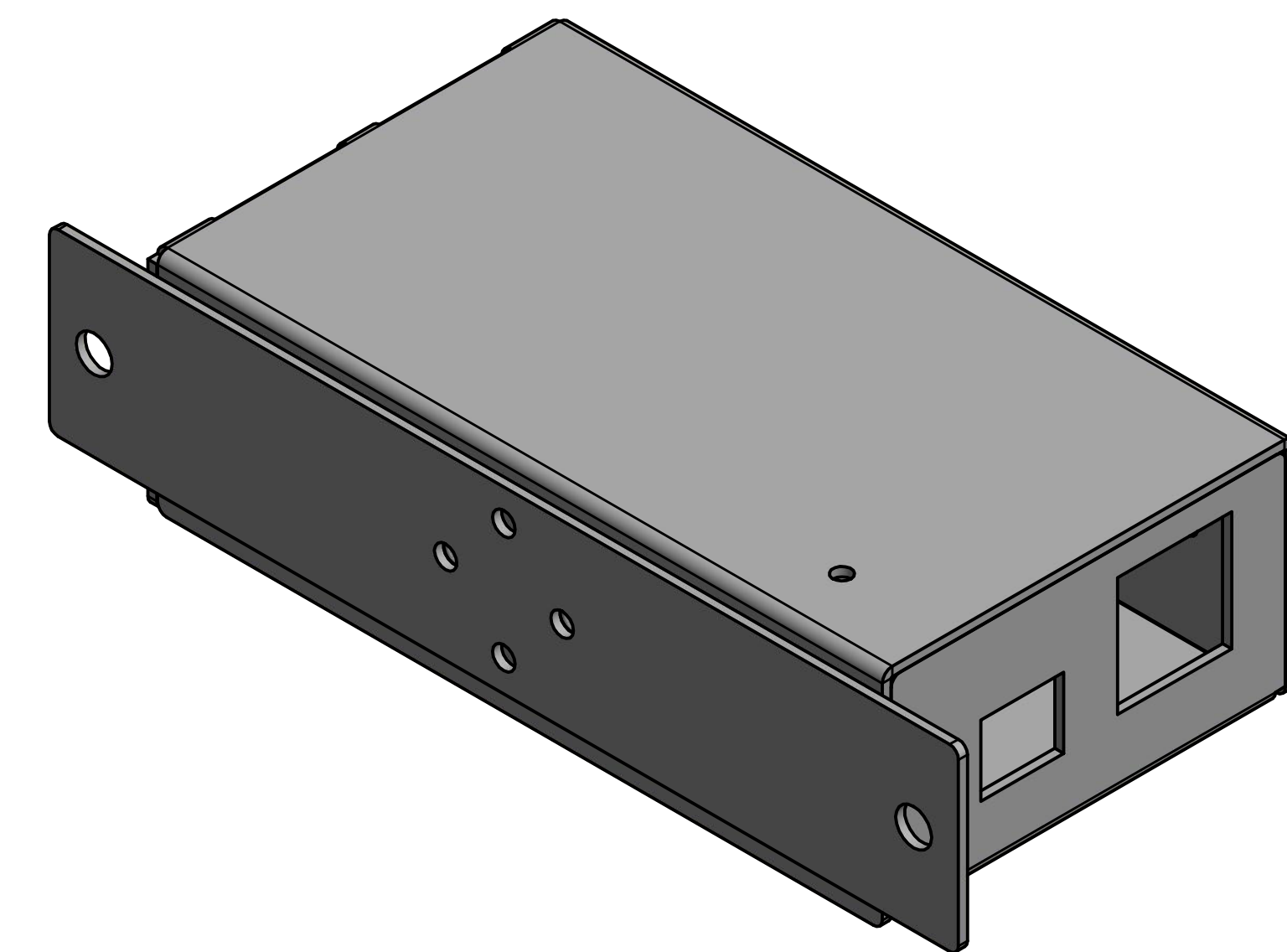
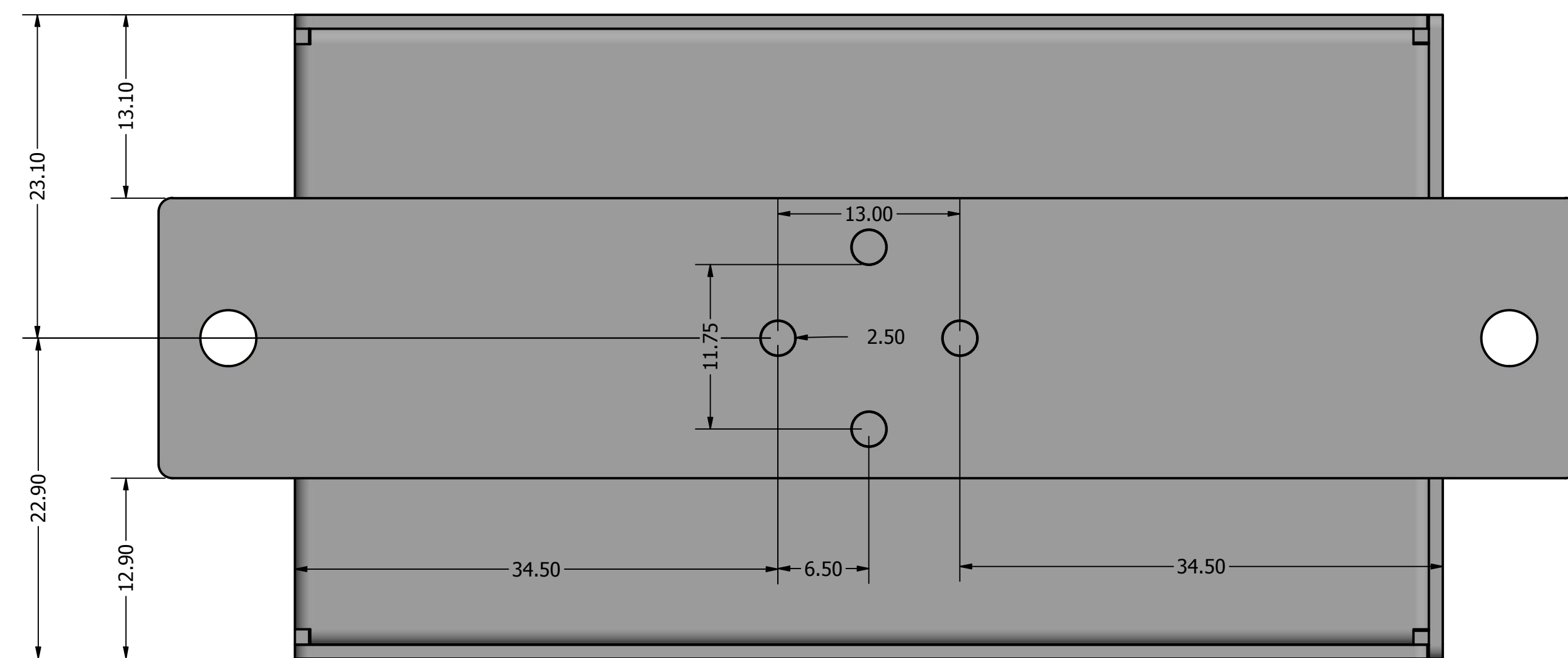
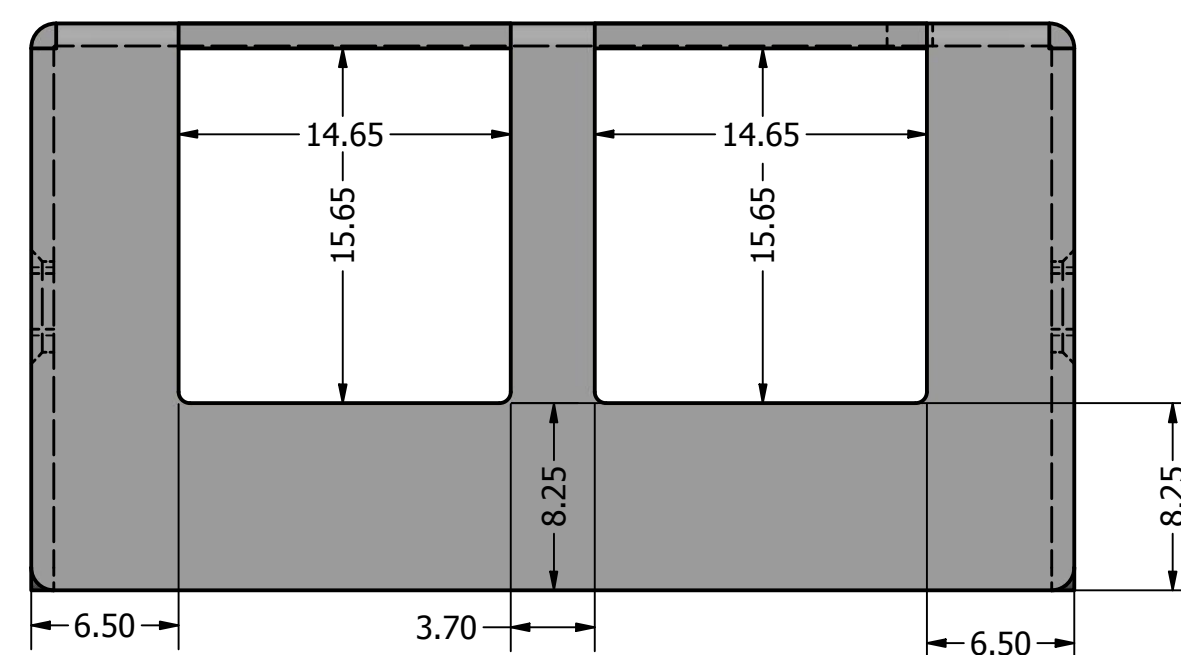
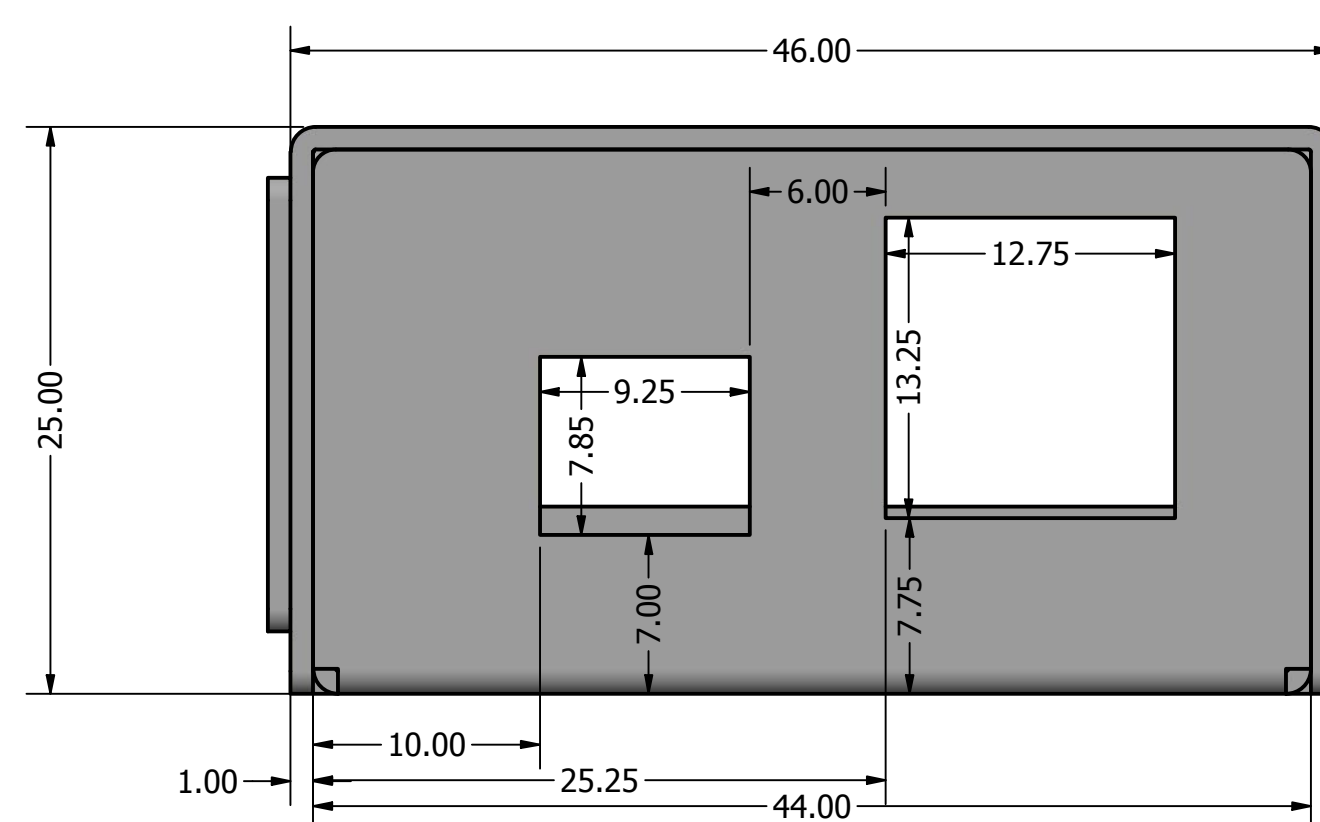
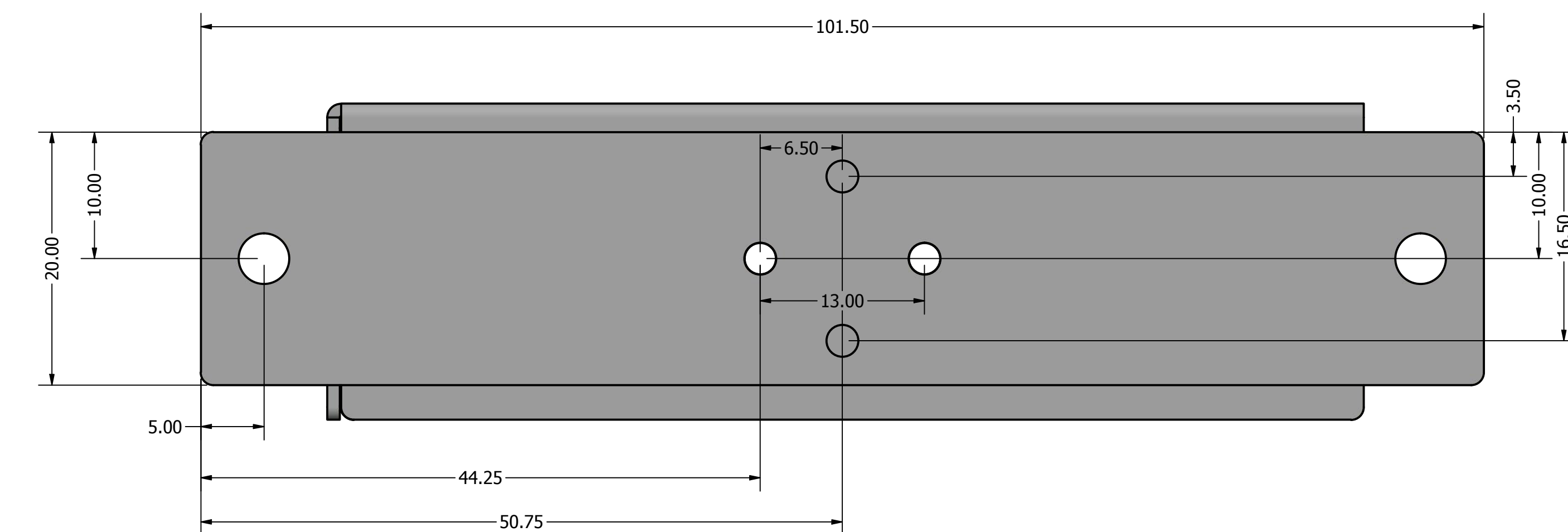
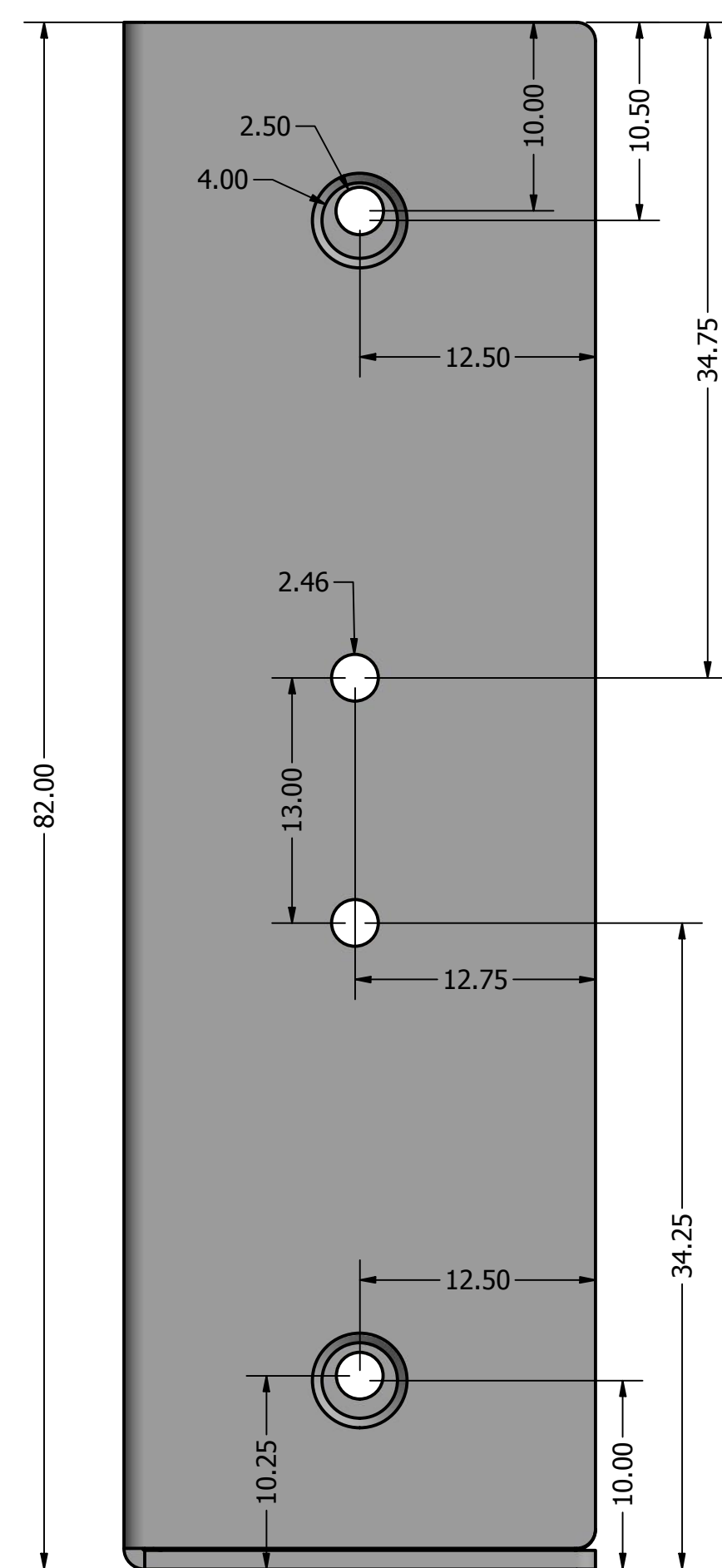
A


D

C

B

A



		MODEL #:	CG-MIC4P31H
		PAGE:	1 / 1
DRAW:		NOTES:	
DATE:	7/05/2019	SCALE:	1mm = 1mm
UNIT:	mm	TOLERANCE:	+/- 0.25 mm
SITE:	coolgear.com	CONTACT:	support@coolgear.com

8 7 6 5 4 3 2 1

A