

SPECIFICATIONS:

Insulation Resistance: 1,000MΩ min. at 100V DC
 Withstanding Voltage: 300Vrms for 1min
 Voltage Rating: 30V AC
 Current Rating: Contacts - 0.5A, Power Pins – 1.0A
 Contact Resistance: 10mΩ max. at 20mV max.
 Operating Temp.: +65°C MAX
 Mating Cycle: 100 times

MATERIALS AND FINISH:

- Blade Contacts: Cu Alloy
- Solder Pad: Cu Alloy
- Insulator & Over mold: LCP

PART NUMBER:
CN174S-076-000X

Series Name

Host Connector

76 Pins

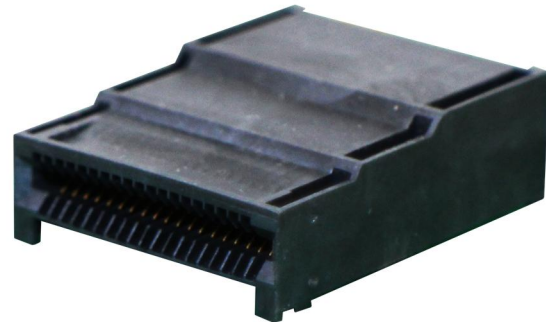
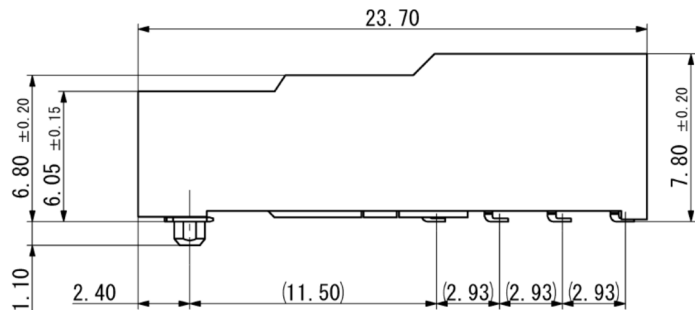
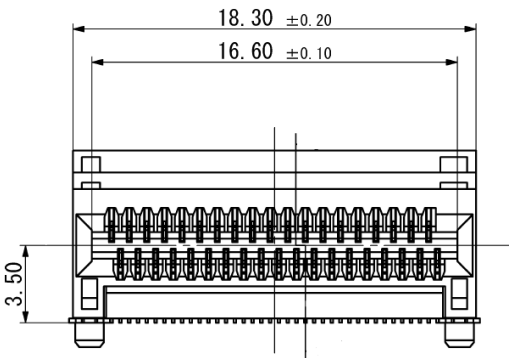
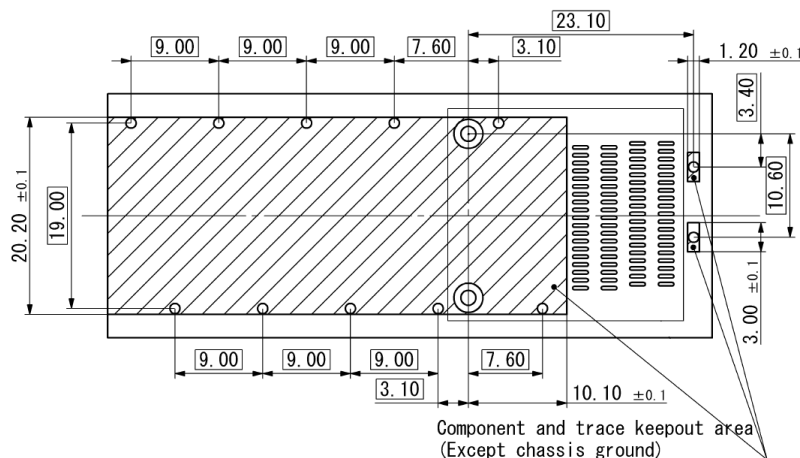
Solder Pad Options:

- 1 = Without Solder Pad
- 2 = With Solder Pad

**QSFP-DD MSA
COMPLIANT**

FEATURES:

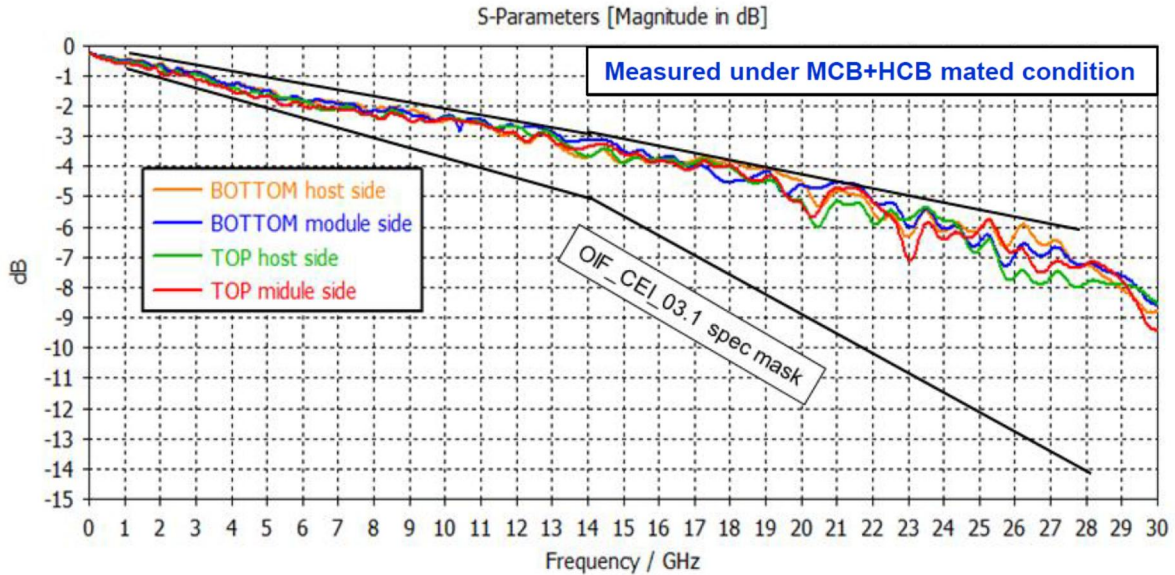
- QSFP-DD MSA Design Guideline Compliant
- Supports signals:
 - 28Gbps-NRZ & 56Gbps-PAM4 for 200G & 400G
 - Next Gen. 112Gbps-PAM4 for 800G


OUTLINE DIMENSIONS:

RECOMMENDED PC BOARD LAYOUT:


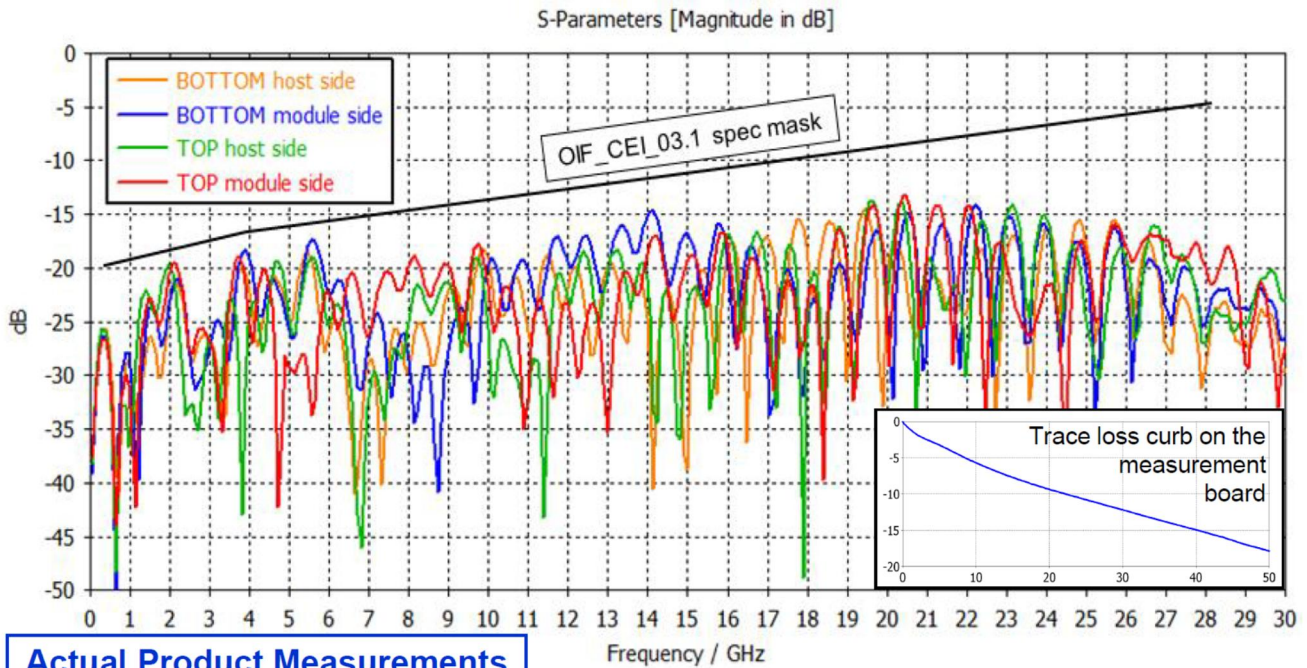
YAMAICHI ELECTRONICS

QSFP-DD Solution

Insertion Loss Measurements for 1x1 QSFP-DD



Return Loss Measurements for 1x1 QSFP-DD



Actual Product Measurements

© 2020 Yamaichi Electronics USA Incorporated. All brand or product names may be trademarks of their respective companies.

Yamaichi Electronics USA Inc.
Visit Us @ WWW.YEU.COM
Email: Info@yeu.com
TEL: 408-715-9100