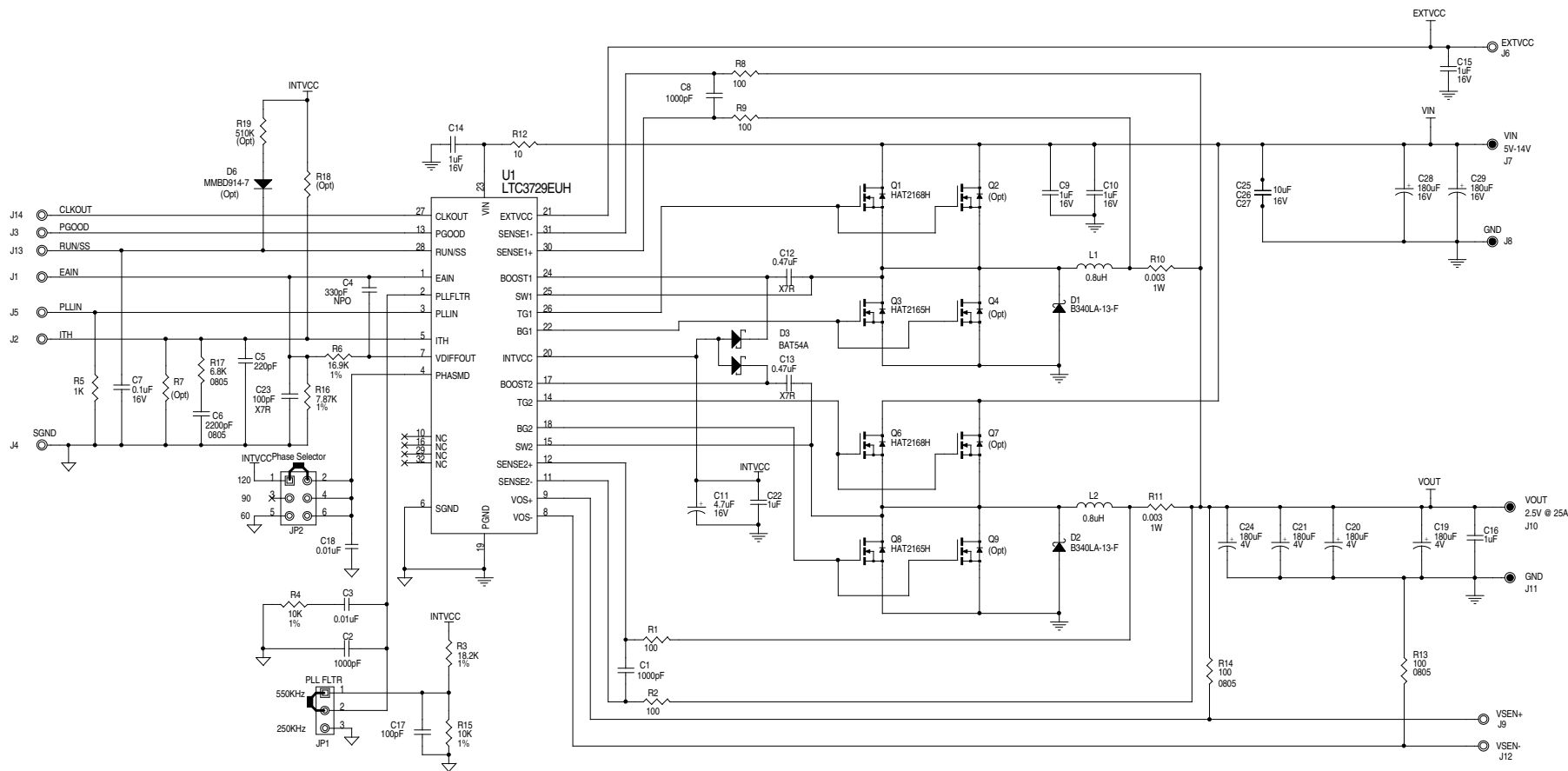
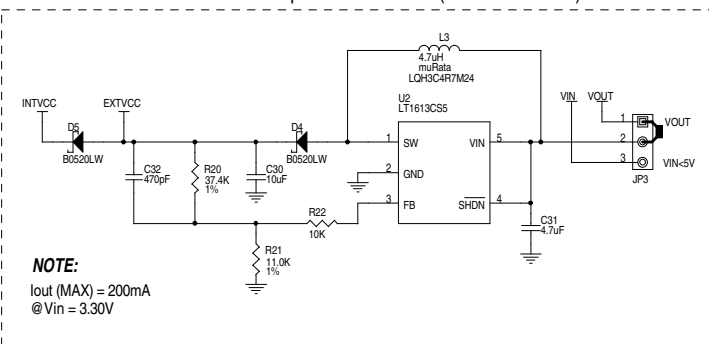


REVISION HISTORY				
ECO	REV	DESCRIPTION	DATE	APPROVED
	0	1st PROTOTYPE		
	B	Q1, Q6 from S17860DP to HAT2168H Q3, Q4, Q8, Q9 from S17886DP to HAT2165H D1, D2 from MBRM560 to B340LA	9/15/06	Mike Shriver



Optional Bias Circuit(DO NOT STUFF)



C:\ORCAD\WINCAPTURE\509B\509B\_REV0.DSN

This circuit is proprietary to Linear Technology and supplied for use with Linear Technology parts.  
**Customer Notice:** Linear Technology has made a best effort to design a circuit that meets customer-supplied specifications; however, it remains the customers responsibility to verify proper and reliable operation in the actual application. Component substitution and printed circuit board layout may significantly affect circuit performance or reliability. Contact Linear Applications Engineering for assistance.

APPROVALS		LINEAR TECHNOLOGY CORPORATION	
<b>DRAWN:</b> Rudy Bautista		1630 McCARTHY BLVD	www.linear.com
<b>ENGINEER:</b> Mike Shriver		MILPITAS, CA. 95035	(408) 432-1900 LTC Confidential -
<b>APPROVED:</b>		(408) 434-0507 (FAX)	For Customer Use Only
<b>CHECKED:</b>		Title: Dual Phase, Step-Down DC/DC Converter	
D:\xxxxA_00_PCB xxxA_x_008		Size: Document Number	DEMO CIRCUIT 509B Rev 0
		Date: Monday, November 06, 2006	Sheet 1 of 1