

ER-S1U4P-2240

Vented 1U Adjustable Four Post
Rack Shelf – Server Depth

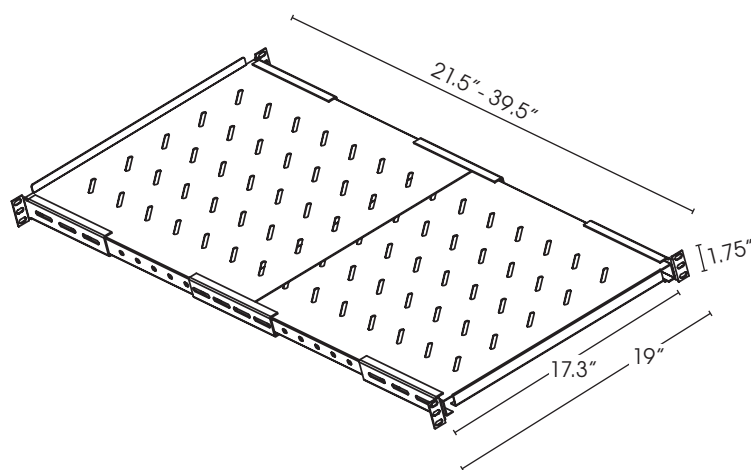
Product Features:

- Fits components up to 16.85" wide
- 1U Racking height (1.75")
- Tray depth adjustable from 21.5" – 39.5"
- Includes 10-32 and 12-24 rack screws
- Load capacity – 150 lbs. (When attached to all 4 Posts)
- Black static resistant powder coat finish

Product Specifications:

(for Architects & Engineers)

The vented four post rack shelf shall be the VideoMount Products (VMP) model number ER-S1U4P-2240. The shelf shall be primarily constructed of formed steel. The shelf shall be compatible with EIA standard 19" equipment racks. The shelf shall be 1 Rack Unit (1.75") in height. The shelf shall be capable of adjusting from 21.5" to 39.5" in depth. The shelf shall have a load capacity of 150 lbs. The shelf shall have a black powder coat finish.



Video Mount Products

345 Log Canoe Circle Stevensville, MD 21666
Toll Free: 877.281.2169 Telephone: 410.643.6390
Facsimile: 410.643.6615 www.videomount.com

