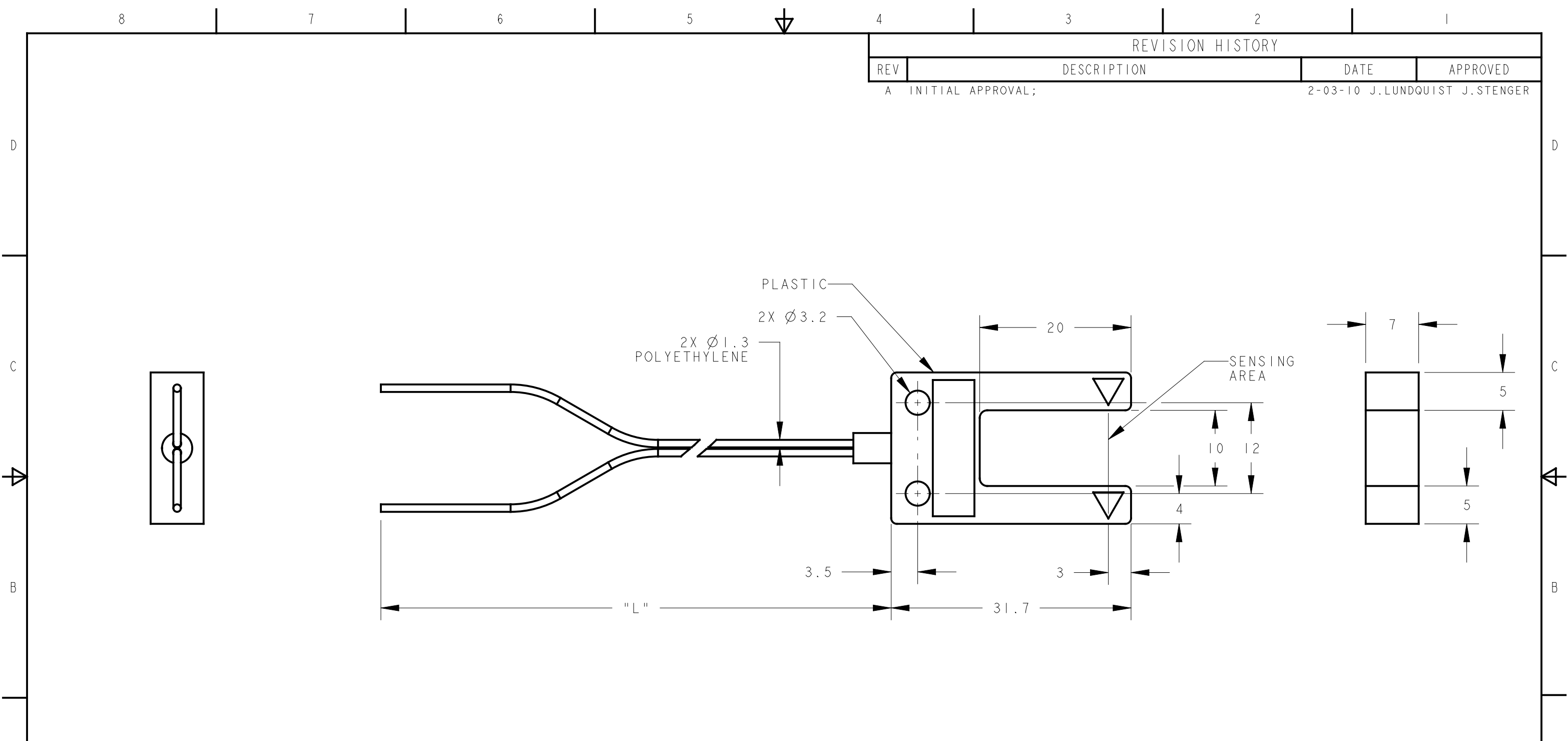
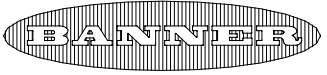


REVISION HISTORY			
REV	DESCRIPTION	DATE	APPROVED
A	INITIAL APPROVAL;	2-03-10	J.LUNDQUIST J.STENGER



MODEL NO.	"L"	P/N
PDIS16UM10	2000 [79]	12786

NOTE:  
1. ALL TOLERANCES ±5% UNLESS OTHERWISE NOTED.

Dimensions are Millimeters [inches] <b>TOLERANCES</b> (Unless Otherwise Specified) . = ±0.5mm X.X = ±.25 X.XX = ±0.12mm [X.X] = ±.1" [X.XX] = ±.05" .XXX = ±.005" ANGLE = ±3° "L" = 40mm/Meter [.5"/Foot]	 <p>BANNER ENGINEERING Corp.          9717 10th Ave. North          Minneapolis, MN 55441          Tel # 763-544-3164          Fax # 763-544-3573          www.bannerengineering.com</p>		
		This drawing is the property of BANNER ENGINEERING Corp. and is proprietary in general and in detail. Its contents shall not be revealed to outside parties without the written consent of BANNER.	
PDIS16UM10 PLASTIC FIBEROPTIC ASSEMBLY & MOD'S			
2-03-10	I OF I	12786	A