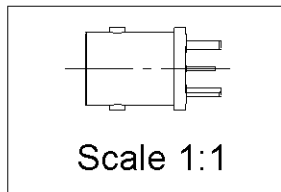
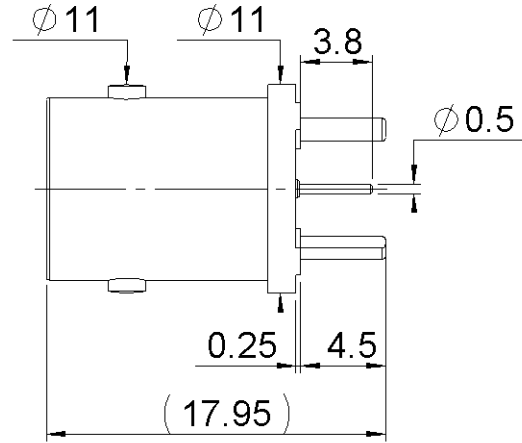
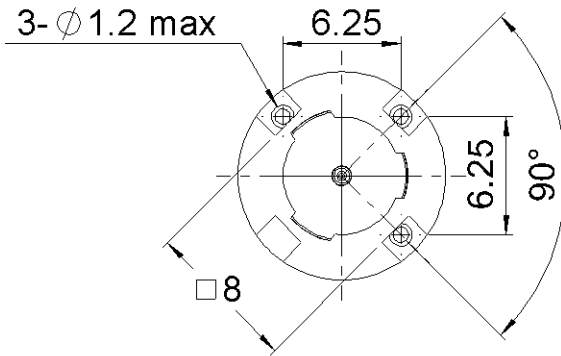
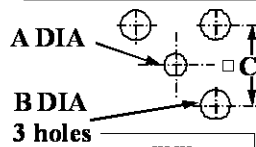


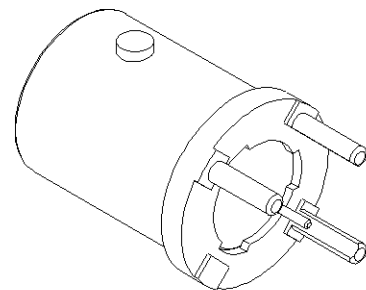
| | | | |
|----------|-----------------|--------------------|------------------------|
| PAGE 1/3 | ISSUE 03-03-17B | SERIES BNC 75 HDTV | PART NUMBER R142500740 |
|----------|-----------------|--------------------|------------------------|



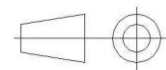
PANEL CUT OUT



| | mm | |
|---|------|------|
| | Maxi | mini |
| A | 0.65 | 0.55 |
| B | 1.39 | 1.25 |
| C | 6.3 | 6.2 |



All dimensions are in mm.



| COMPONENTS | MATERIALS | PLATING (µm) |
|----------------|-------------------------|-------------------------|
| Body | ZAMAK | NICKEL . |
| Center contact | BERYLLIUM COPPER | GOLD OVER NICKEL |
| Outer contact | | |
| Insulator | PTFE | |
| Gasket | | |
| Others parts | | |
| - | - | - |
| - | - | - |

| | | | |
|----------|------------------------|---------------------------|-------------------------------|
| PAGE 2/3 | ISSUE 03-03-17B | SERIES BNC 75 HDTV | PART NUMBER R142500740 |
|----------|------------------------|---------------------------|-------------------------------|

PACKAGING

| Standard | Unit | Other |
|-----------|-------------------|-------------------|
| 60 | Contact us | Contact us |

ELECTRICAL CHARACTERISTICS

| | | | |
|---------------------------------|--------------|--------------|-----------------------------|
| Impedance | | 75 | Ω |
| Frequency | | DC-12 | GHz |
| VSWR | *1.05 | + | 0.0350 x F(GHz) Maxi |
| Insertion loss | | 0.1* | √F(GHz) dB Maxi |
| RF leakage | - (| -57** | - F(GHz) dB Maxi |
| Voltage rating | | 500 | Veff Maxi |
| Dielectric withstanding voltage | | 1500 | Veff mini |
| Insulation resistance | | 5000 | MΩ mini |

MECHANICAL CHARACTERISTICS

| | | | |
|----------------------------|--|---------------|-------------|
| Center contact retention | | | |
| Axial force – Mating End | | 18 | N mini |
| Axial force – Opposite end | | 10 | N mini |
| Torque | | NA | N.cm mini |
| Recommended torque | | | |
| Mating | | NA | N.cm |
| Panel nut | | NA | N.cm |
| Mating life | | 500 | Cycles mini |
| Weight | | 3.5800 | g |

ENVIRONMENTAL

| | | |
|-----------------------|-----------------|-----------|
| Operating temperature | -65/+165 | °C |
| Hermetic seal | NA | Atm.cm3/s |
| Panel leakage | NA | |

SPECIFICATION

OTHER CHARACTERISTICS

Assembly instruction:**NA**

Others:

Data speed rate up to 12.5 Gb/s
***Coaxial Transmission Line Only**
****Interface only**

| | | | |
|----------|-----------------|--------------------|------------------------|
| PAGE 3/3 | ISSUE 03-03-17B | SERIES BNC 75 HDTV | PART NUMBER R142500740 |
|----------|-----------------|--------------------|------------------------|

