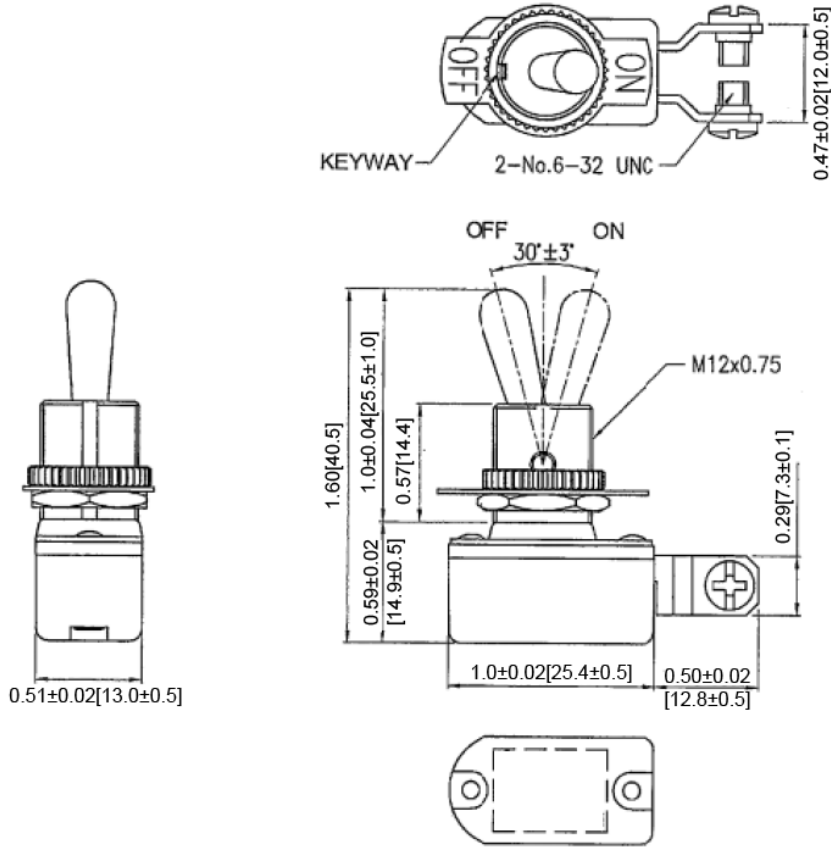
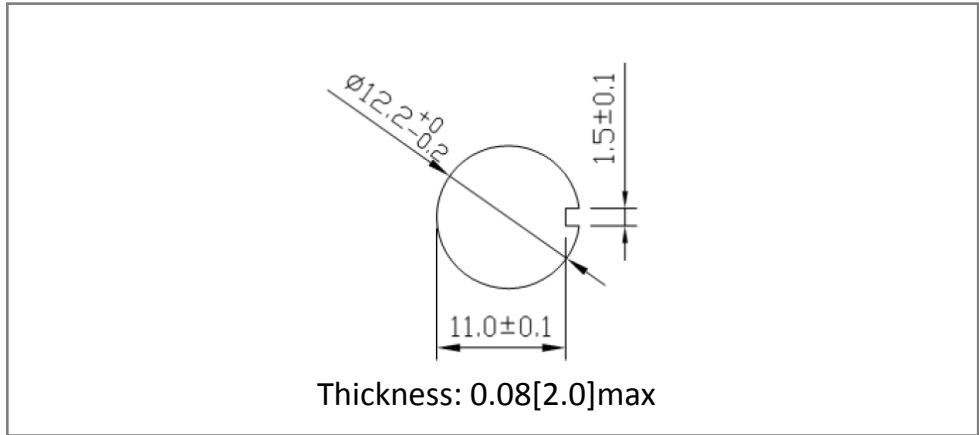


**Mechanical Dimensions: Inches [mm]**

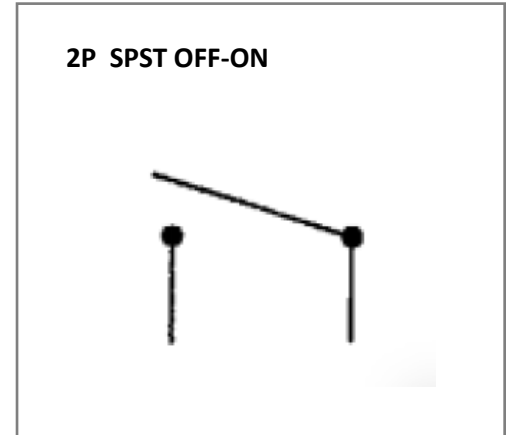
Tolerances  $\pm 0.012$  [0.3] Unless Otherwise Specified



**Mounting Hole**



**Circuit Diagram**



**Electrical Specifications**

Rating	6A 125VAC 3A 250VAC
Contact Resistance	50m ohm Max
Insulation Resistance	DC 500V 100M ohm Min
Dielectric Strength	AC 1000V 1 minute
Operation Temperature	-20 $^{\circ}$ C~85 $^{\circ}$ C

**Material Specifications**

1 HEX NUT ASSY
1 KNURL NUT ASSY
1 ON/OFF FACE PLATE ASSY

**Rev**    **Date of issue**    **Revision Notes**

**Designed**    **Approved**

A	01-14-2020	Initial Drawing	RC	OF
---	------------	-----------------	----	----