



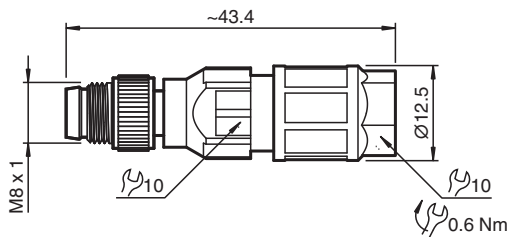
Male connector, field-attachable V31S-GM-Q4

- Insulation displacement connection
- Metal locking
- Knurled nut suitable for tool assembly
- cURus approval

Male connector M8 straight A-coded 4-pin, for cable diameter 2,5 - 5 mm, field-attachable, insulation displacement connection



Dimensions



Technical Data

General specifications			
Connector 1			
Connection		plug	
Construction type		M8	
Style		straight	
Locking		screw connection	
Number of pins		4	
Coding		A-coded	
Electrical specifications			
Operating voltage	U_B	max. 30 V AC/DC	
Operating current	I_B	max. 4 A	
Volume resistance		< 5 mΩ	
Insulation resistance		min. 100 MΩ	
Conformity			
Degree of protection		EN 60529	
Plug connection		connector M8 x 1 : IEC 61076-2-104	

Release date: 2023-06-01 Date of issue: 2023-06-01 Filename: 258194_eng.pdf

Refer to "General Notes Relating to Pepperl+Fuchs Product Information".

Pepperl+Fuchs Group
www.pepperl-fuchs.com

USA: +1 330 486 0001
fa-info@us.pepperl-fuchs.com

Germany: +49 621 776 1111
fa-info@de.pepperl-fuchs.com

Singapore: +65 6779 9091
fa-info@sg.pepperl-fuchs.com

PF PEPPERL+FUCHS

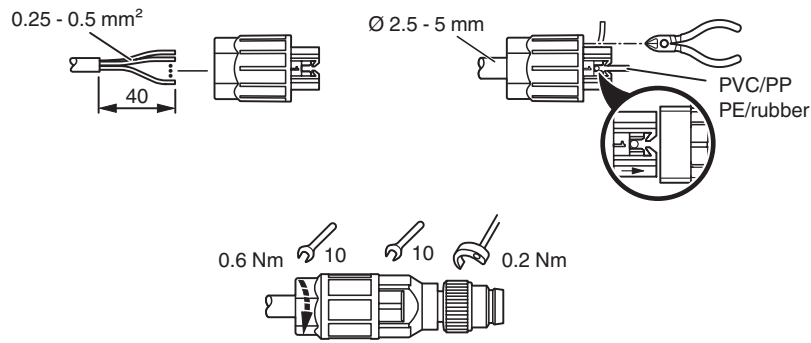
Technical Data

Approvals and certificates	
UL approval	E191152
Maximum permissible operating voltage	max. 29 V
Ambient conditions	
Ambient temperature	-25 ... 80 °C (-13 ... 176 °F)
Pollution degree	3
Mechanical specifications	
Plug connector	
Tightening torque	0.2 Nm
Tool installation	straight knurling
Mating cycles	min. 100
Degree of protection	IP65/IP67
Connection	Insulation displacement connection for 0.25 ... 0.5 mm ² / AWG 24 ... AWG 20
Cable	
Sheath diameter	2.5 ... 5 mm
Cores	Cross-section: 0.25 ... 0.5 mm ²
Mass	8.2 g
Mounting	max. tightening torque on the coupling nut: ≤ 0.6 Nm
Material	
Plug connector	
Screw connection	Zinc diecast, nickel-plated
Body	PA 66, black
Seal	NBR
Contact surface	Ni/Au
Flammability	HB
Cable	
Core insulation	PVC/PE/PP



Connection Assignment



Connection



Accessories

	MH V3-SCREWDRIVER	Torque screwdriver (0.4 Nm)
	MH V3-BIT M8	plug-in cap for M8