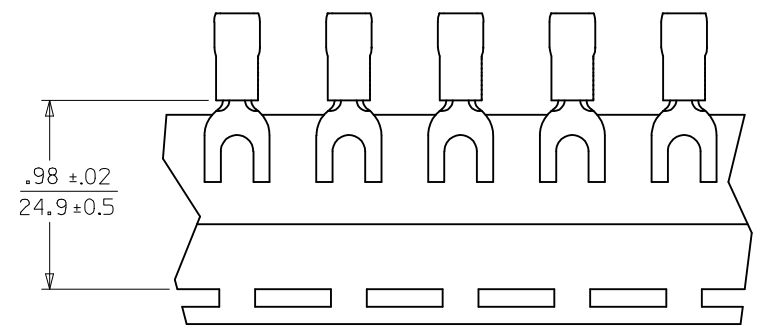
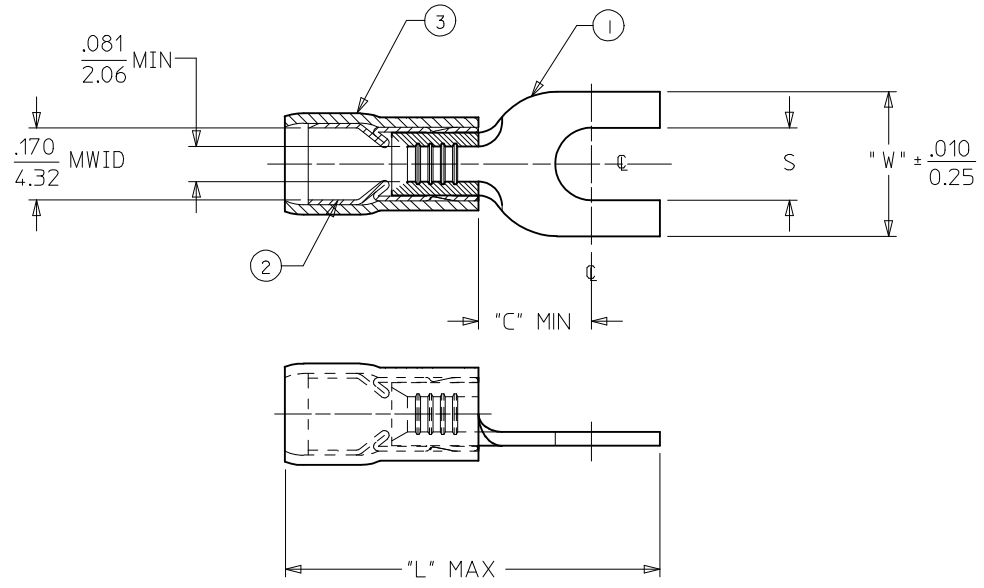


MATERIAL NUMBER	ALTERNATE NUMBER	STUD SIZE	"S"	"C" MIN	"W"	"L" MAX	PACKAGING
191390038	BB-8471-04	4	.119/(3.02)	.225 (5.72)	.247 (6.27)	.780 (19.81)	LOOSE PIECE
191390039	BB-8471-06	6	.146/(3.71)	.225 (5.72)	.247 (6.27)	.780 (19.81)	
191390042	BB-8781-06	6	.146/(3.71)	.229 (5.82)	.295 (7.49)	.785 (19.18)	
191390044	BB-8781-08	8	.173/(4.39)	.229 (5.82)	.295 (7.49)	.785 (19.18)	
191360045	BB-8781-10	10	.198/(5.03)	.229 (5.82)	.295 (7.49)	.785 (19.18)	
191390040	BB-8471-06T	6	.146/(3.71)	.225 (5.72)	.247 (6.27)	.780 (19.81)	TAPE MOUNTED
191390043	BB-8781-06T	6	.146/(3.71)	.229 (5.82)	.295 (7.49)	.785 (19.18)	
191390068	BB-8781-10T	10	.198/(5.03)	.229 (5.82)	.295 (7.49)	.785 (19.18)	



CUSTOMER DRAWING

- NOTES:
1. MATERIAL: COPPER .031 THICK
PLATING: MATTE TIN
 2. FERRULE: TIN-PLATED BRASS.
 3. INSULATION: BLUE NYLON.
 4. MWID = MAXIMUM WIRE INSULATION DIA.
 5. PARTS ARE ROHS COMPLIANT.

RELEASED EC NO: IPG2014-110 DRWG:GRO/JAS01 2013/12/12 CHKD:JMAGNEIL 2013/12/13 APPR:JMAGNEIL 2014/01/08 REV A	QUALITY SYMBOLS	GENERAL TOLERANCES (UNLESS SPECIFIED)	DIMENSION STYLE	SCALE	DESIGN UNITS	THIRD ANGLE PROJECTION	
	$\nabla=0$ $\nabla=0$	mm INCH 4 PLACES \pm --- \pm --- 3 PLACES \pm --- \pm .005 2 PLACES \pm 0.13 \pm .01 1 PLACE \pm 0.25 \pm --- 0 PLACE \pm \pm	IN/MM	4:1	INCH	DRAWN BY DATE EDB 2000/11/17 CHECKED BY DATE HEB 2000/11/17 APPROVED BY DATE 2014/01/08	TITLE SPADE TONGUE TERMINAL (BLOCK) AVIKRIMP - 800 16-14 AWG molex DOCUMENT NO. SD-19139-005 SHEET NO. 1 OF 1
	ANGULAR \pm --- ° DRAFT WHERE APPLICABLE MUST REMAIN WITHIN DIMENSIONS	MATERIAL NO. SEE CHART SIZE B	THIS DRAWING CONTAINS INFORMATION THAT IS PROPRIETARY TO MOLEX INCORPORATED AND SHOULD NOT BE USED WITHOUT WRITTEN PERMISSION				