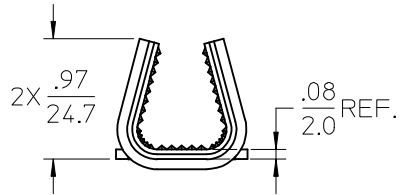
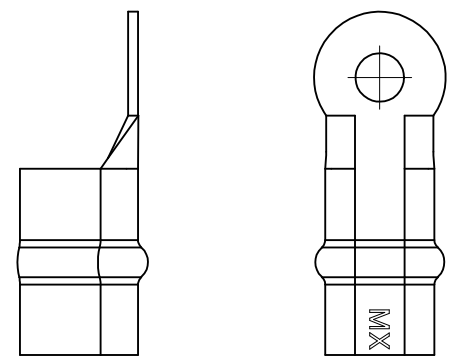
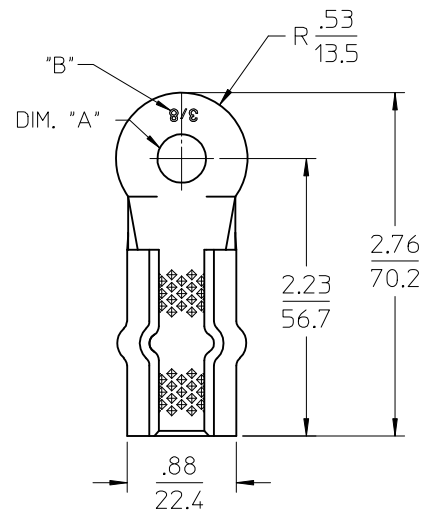
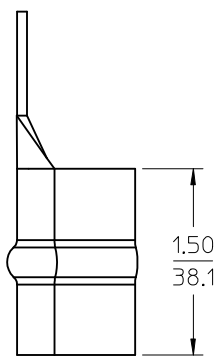
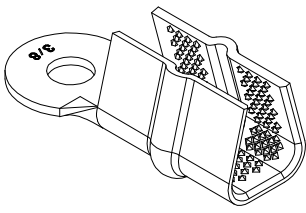


MATERIAL NUMBER	DIM. A	"B"
191951031	Ø.390/9.91	3/8
191951047	Ø.515/13.08	1/2



- NOTES:
1. MATERIAL: COPPER ALLOY.
 2. FINISH: ELECTRO TIN PLATE.
THICKNESS=100MICRONS MINIMUM.
 3. PRODUCT SPECIFICATION: PS-19195-001.
 4. PART USED TO CONNECT COPPER OR ALUMINUM SINGLE MAGNET WIRE OR MULTIPLE WIRE COMBINATIONS.
 5. COMBINATIONS OF WIRES ARE EITHER MAGNET WIRE TO MAGNET WIRE OR MAGNET WIRE TO LEAD WIRE.

EC NO: ETC2003-0089 DRWN: JPAWLICK 2002/09/27 CHKD: JPAWLICK 2002/09/27 APPR: RDEROSS 2002/09/27	QUALITY SYMBOLS ▽ .0 ▽ .0	GENERAL TOLERANCES (UNLESS SPECIFIED)		SCALE 1:1	DESIGN UNITS INCH	THIRD ANGLE PROJECTION	REVISE ON CAD ONLY	
		mm	INCH	DIMENSION STYLE IN/MM				
		4 PLACES ± --- ± ---	3 PLACES ± --- ± ---	DRAWN BY JHACKNEY CHECKED BY RDEROSS	DATE 99/01/29 DATE 99/01/29	TITLE MAGKRIMP ROUND RING 165,000-230,000 CMA		
		2 PLACES ± --- ± .010	1 PLACE ± 0.25 ± ---	APPROVED BY RDEROSS DATE 99/01/29				
DRAFT WHERE APPLICABLE MUST REMAIN WITHIN DIMENSIONS		THIS DRAWING CONTAINS INFORMATION THAT IS PROPRIETARY TO MOLEX INCORPORATED AND SHOULD NOT BE USED WITHOUT WRITTEN PERMISSION						