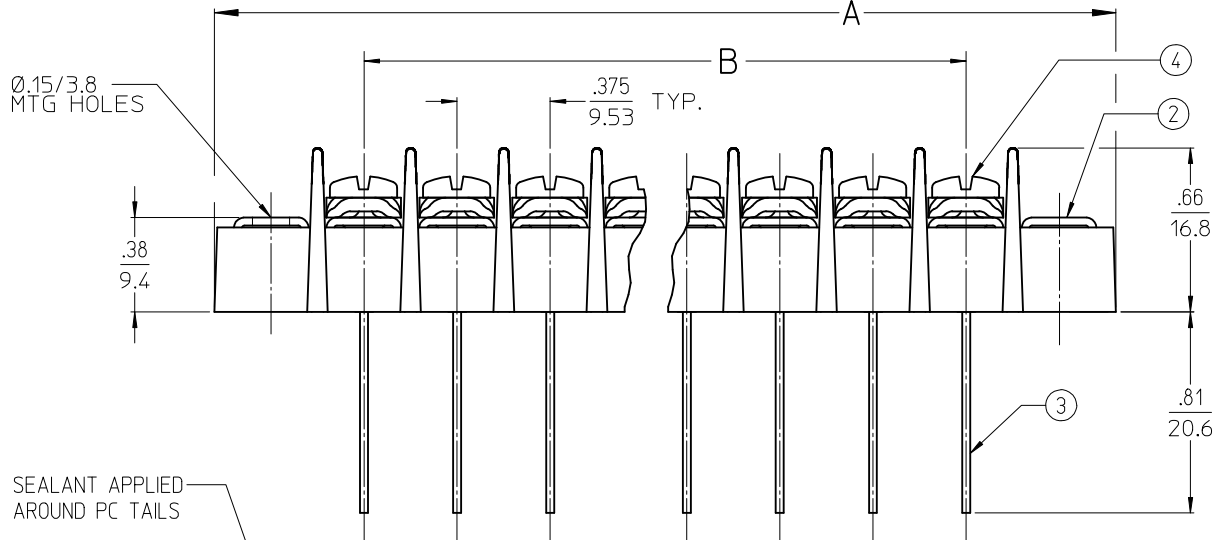
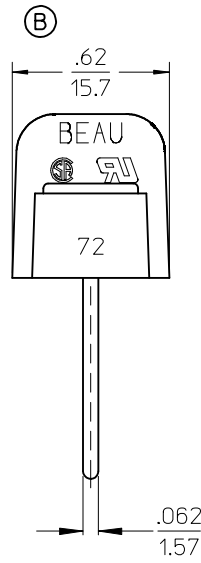
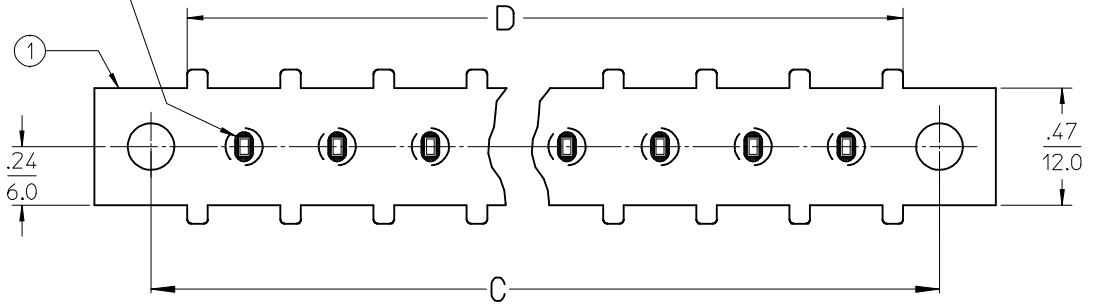


PTH PATTERN

Ø.15/3.8
MTG HOLES



SEALANT APPLIED
AROUND PC TAILS



- NOTES:
1. MATERIAL: SEE TABLE
 2. FINISH: SEE TABLE
 3. ELECTRICAL SPECS:
MAX VOLTAGE: 300V (-50 OPT, 12 AWG)
MAX CURRENT: 25A
 4. PRODUCT SPEC: PS-38710-001
 5. SCREW TIGHTENING TORQUE: 12 IN LBS. (MAX)
 6. WIRE STRIP LENGTH: .31 (7.8mm)
 7. WIRE RANGE: 22 TO 12AWG
 8. PART IS RoHS COMPLIANT
 9. DIMS. SHOWN ARE FOR REFERENCE ONLY
 10. XX REFERES TO NUMBER OF POLES

POLES	ASSY. NO.	ENG NO.	A IN/mm	B IN/mm	C IN/mm	D IN/mm
08	387291066	72708-50-81-SP398	3.83/97.3	2.625/66.68	3.375/85.73	3.08/78.3
12	387291067	72708-50-81-SP399	5.33/135.4	4.125/104.78	4.875/123.83	4.58/116.4

TABLE

ITEM	QTY.	DESCRIPTION	MATERIAL	FINISH
4	XX	SCREW & WASHER, #6-32X.25, PAN, PH/SL -50	STEEL	ZN CLEAR CHROMATE
3	XX	TERMINAL, WW EXTRA LONG	BRASS	TIN PLATE
2	2	MOUNTING PLATE	BRASS	NICKEL PLATE
1	1	INSULATOR, SR, PC	PBT	BLACK

REV D NOTES. ADD END VIEW EC NO: IPG2017-0467 DR: WNRSTONE 2016/11/10 CHK: B RUPERT 2016/11/14 APPR: BWOODMAN 2016/11/30	QUALITY SYMBOLS ▽=0 ▽=0	GENERAL TOLERANCES (UNLESS SPECIFIED) mm INCH 4 PLACES ± --- ± --- 3 PLACES ± --- ± .005 2 PLACES ± 0.13 ± .01 1 PLACE ± 0.3 ± --- ANGULAR ± 2 °	DIMENSION STYLE IN/MM DRAWN BY DATE RSTONE 2014/07/18 CHECKED BY DATE B ARDEN APPROVED BY DATE JFMURPHY 2014/08/02	SCALE 2:1 TITLE .375 SR BTS WW-81 SPECIAL WITH SEALED TERM. HOLES	DESIGN UNITS INCH THIRD ANGLE PROJECTION
		DRAFT WHERE APPLICABLE MUST REMAIN WITHIN DIMENSIONS	SEE CHART MATERIAL NO. DOCUMENT NO. SD-38729-074	MOLEX INCORPORATED SHEET NO. 1 OF 1	