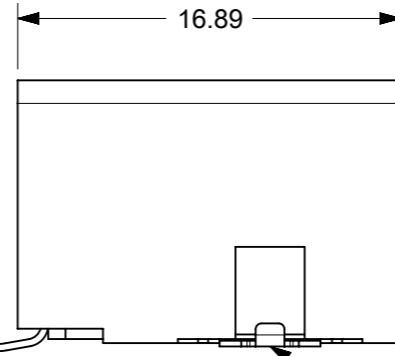
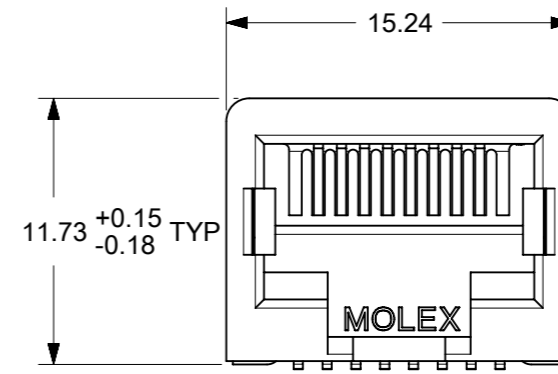


6 CIRCUIT ASSEMBLY

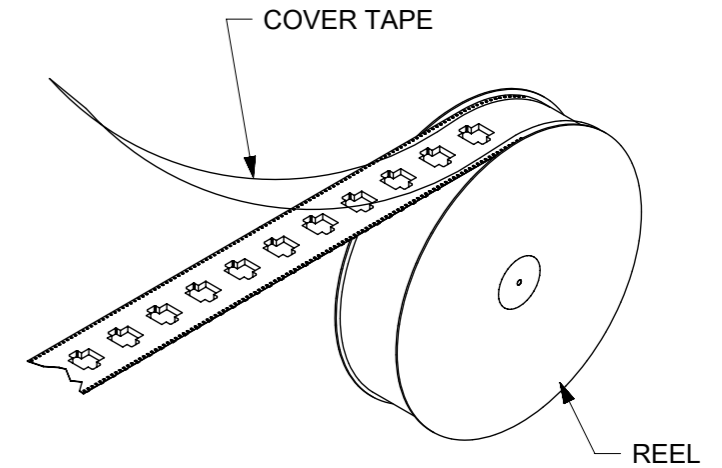
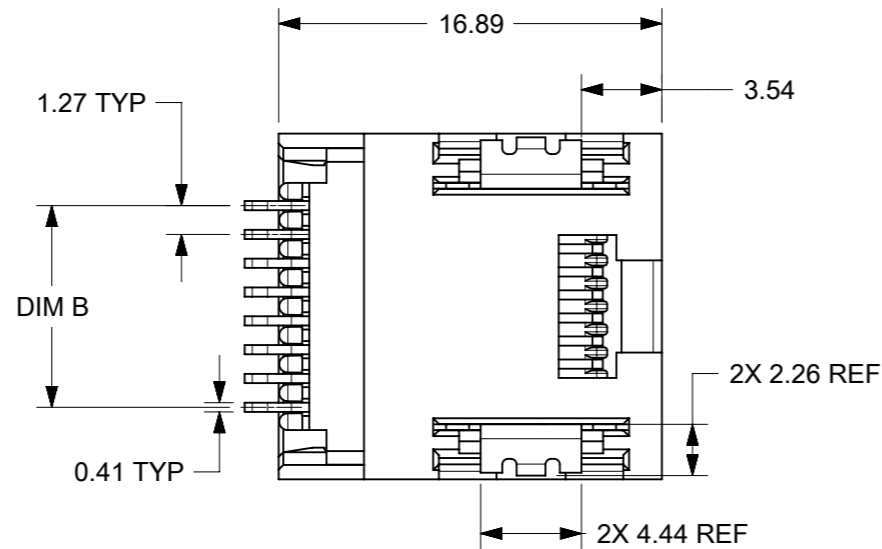


8 CIRCUIT ASSEMBLY



TERMINAL TAIL  
SEE NOTE 4

FITTING NAIL  
SEE NOTE 4



VACUUM FORMED CARRIER TAPE WITH SPROCKET HOLES

TAPE AND REEL PACKAGING

NOTES :

1) MATERIALS:

HOUSING: LCP, GLASS-FILLED, UL94V-0; COLOR BLACK.  
INSULATOR: NYLON, GLASS-FILLED, UL94V-0; COLOR BLACK.  
TERMINALS: PHOSPHOR BRONZE, 0.30 mm THICK  
FITTING NAILS: BRASS ALLOY, 0.25 mm THICK

2) FINISH:

TERMINALS:

- (A) SELECT GOLD IN CONTACT AREA: 0.00127 mm MIN.,  
\*SELECT MATTE TIN IN PC TAIL AREA: 0.00254 mm MIN.,  
WITH OVERALL NICKEL UNDERPLATE: 0.00127 mm MIN.
- (B) SELECT GOLD IN CONTACT AREA: 0.00076 mm MIN.,  
\*SELECT MATTE TIN IN PC TAIL AREA: 0.00254 mm MIN.,  
WITH OVERALL NICKEL UNDERPLATE: 0.00127 mm MIN.
- (C) SELECT GOLD IN CONTACT AREA: 0.00038 mm MIN.,  
\*SELECT MATTE TIN IN PC TAIL AREA: 0.00254 mm MIN.,  
WITH OVERALL NICKEL UNDERPLATE: 0.00127 mm MIN.

FITTING NAILS:

- \*2.54 MICROMETER MATTE TIN OVER 1.27 MICROMETER NICKEL UNDERPLATE
- \*THE PRIMARY SHIPPING CARTON WILL BE LABELED "ELV AND RoHS COMPLIANT" CARTONS WITHOUT THIS LABEL MAY CONTAIN PRODUCT WITH TIN-LEAD IN THE PC TAIL AND/OR FITTING NAILS.

3) PRODUCT SPECIFICATION: PS-43743-0001

4) COPLANARITY SPECIFICATION:

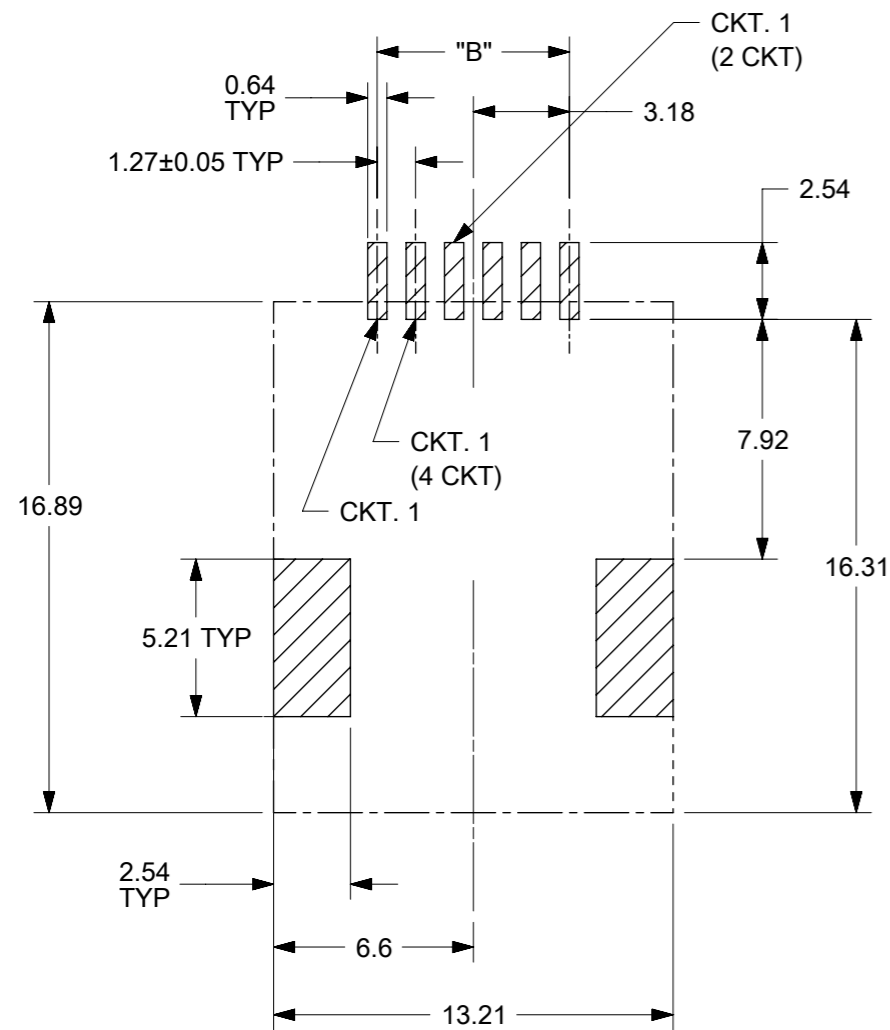
WITH THE MODULAR JACK SITTING ON A LEVEL SURFACE, THE MAXIMUM GAP BETWEEN THE LEVEL SURFACE AND ALL TERMINAL TAILS AND BOTH FITTING NAILS IS 0.15 mm.

5) CONVECTION SOLDERING TECHNOLOGY SHOULD BE USED WHEN GANGING MODULAR JACKS WITH INBOARD NAILS SIDE-BY-SIDE.

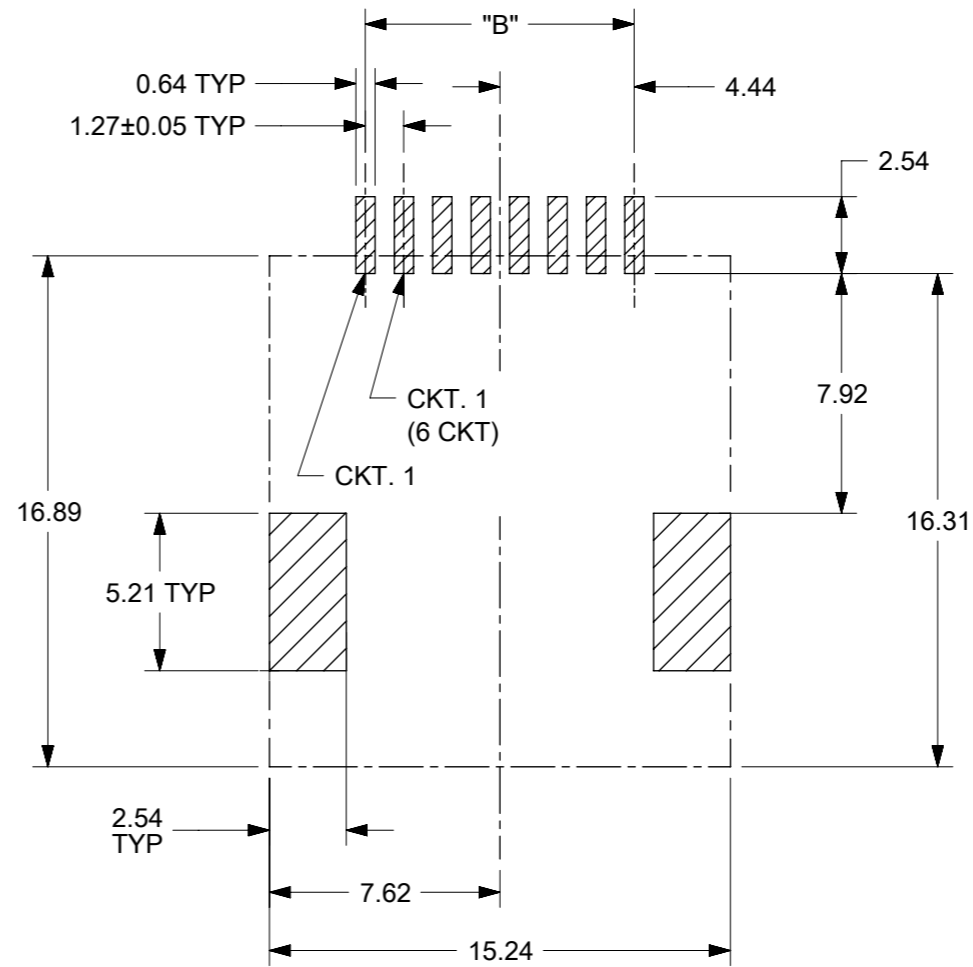
6) THIS PART CONFORMS TO CLASS B REQUIREMENTS OF COSMETIC SPECIFICATION PS-45499-002.

HOUSING SIZE	CIRCUIT SIZE	DIM. B
6	6	6.35
6	4	3.81
6	2	1.27
8	8	8.89
8	6	6.35

THIS DRAWING CONTAINS INFORMATION THAT IS PROPRIETARY TO MOLEX ELECTRONIC TECHNOLOGIES, LLC AND SHOULD NOT BE USED WITHOUT WRITTEN PERMISSION										
DIMENSION UNITS	SCALE	CURRENT REV DESC: REMOVED OBSOLETE PART NUMBER AS PER PCN#511695.								
mm	NTS									
GENERAL TOLERANCES (UNLESS SPECIFIED)										
ANGULAR TOL	± 0.5°	<b>4, 6, 8 CIRCUIT SMT LCP MODULAR JACK W/ FLUSH FITTING NAILS</b>								
4 PLACES	±									
3 PLACES	±	<b>PRODUCT CUSTOMER DRAWING</b>								
2 PLACES	± 0.25									
1 PLACE	± 0.38	<b>441440103</b>								
0 PLACES	±									
DRAFT WHERE APPLICABLE MUST REMAIN WITHIN DIMENSIONS		THIRD ANGLE PROJECTION	DRAWING	SERIES	MATERIAL NUMBER	CUSTOMER	DOCUMENT NUMBER	DOC TYPE	DOC PART	REVISION
			A3-SIZE	44144	SEE CHART	GENERAL MARKET	441440103	PSD	000	A1
										1 OF 2



PCB LAYOUT FOR CONNECTOR SIZE 6  
(COMPONENT SIDE OF BOARD)



PCB LAYOUT FOR CONNECTOR SIZE 8  
(COMPONENT SIDE OF BOARD)

ASSEMBLY ITEM NO.	CONNECTOR SIZE	CIRCUIT SIZE	TERMINAL PLATING	TAPE & REEL PACKAGING No.
44144-0103	8	8	A	PK-70873-7012
44144-0104	6	4	A	PK-70873-7011
44144-0105	6	6	A	PK-70873-7011

HOUSING SIZE	CIRCUIT SIZE	DIM. B
6	6	6.35
6	4	3.81
6	2	1.27
8	8	8.89
8	6	6.35

THIS DRAWING CONTAINS INFORMATION THAT IS PROPRIETARY TO MOLEX ELECTRONIC TECHNOLOGIES, LLC AND SHOULD NOT BE USED WITHOUT WRITTEN PERMISSION

DIMENSION UNITS <b>mm</b>	SCALE <b>NTS</b>	CURRENT REV DESC: REMOVED OBSOLETE PART NUMBER AS PER PCN#511695.	<b>molex</b>		
GENERAL TOLERANCES (UNLESS SPECIFIED)		EC NO: 730178			
ANGULAR TOL	± 0.5°	DRWN: SANTHN	2022/11/29		
4 PLACES	±	CHK'D: GGA	2023/01/04		
3 PLACES	±	APPR: GGA	2023/01/04		
2 PLACES	± 0.25	INITIAL REVISION:	PRODUCT CUSTOMER DRAWING		
1 PLACE	± 0.38	DRWN: AFENG02	DOCUMENT NUMBER		
0 PLACES	±	APPR: KLANG	441440103		
DRAFT WHERE APPLICABLE MUST REMAIN WITHIN DIMENSIONS		THIRD ANGLE PROJECTION	DRAWING	SERIES	MATERIAL NUMBER
			A3-SIZE	44144	SEE CHART
			CUSTOMER	GENERAL MARKET	
			SHEET NUMBER	2 OF 2	