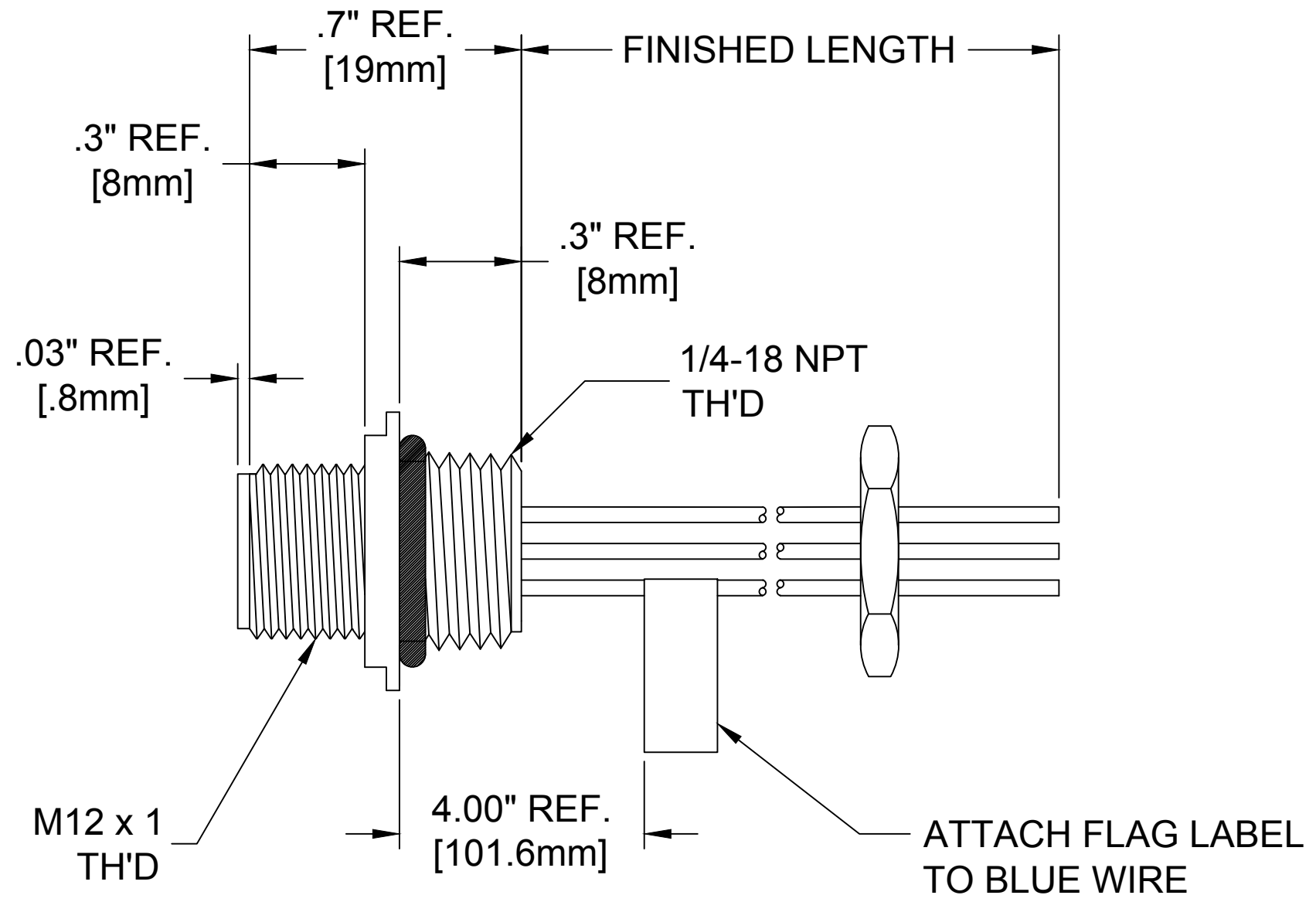
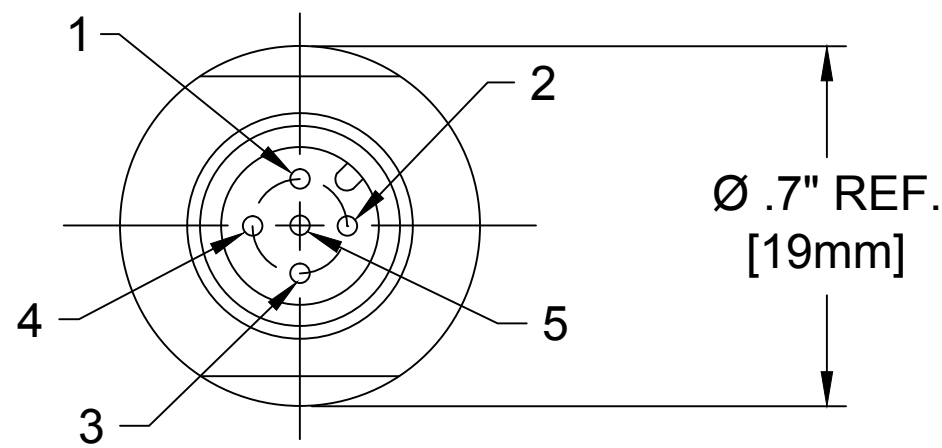


13	12	11	10	9	8	7	6	5	4	3	2	1
MATERIAL NUMBER		OLD PART NUMBER		FINISHED LENGTH								
1200708180		8R5A06A18A120		1.0FT. +.75IN -0 [25M +19.1mm -0]								

RECEPTACLE FACE VIEW



WIRING DIAGRAM

1	BROWN
2	WHITE
3	BLUE
4	BLACK
5	GREY

8R5A06A18A120

wire type
#22 PVC

cable length
010----1 Inch
120----12 Inches

SPECIFICATION DATA

COMPONENT	MATERIAL	FINISH
LABEL	VINYL	BLACK/YELLOW
LOCKNUT	STEEL	ZINC PLATED
O-RING	NITRILE	BLACK
CONTACT SOCKET	COPPER ALLOY	Au OVER Ni
MALE INSERT	NYLON	BLACK
SHELL FM 1/4 NPT	ALUMINUM	BLACK ANODIZED
WIRE #22	PVC	
VOLTAGE RATING:	250V	
AMPERAGE RATING:	4A	
PROTECTION CLASS:	IP 67	
WIRE TEMPERATURE:	-10°C / 80°C	

ADD FLAG LABEL EC NO: IFCG2016-1559 DRWN: MZIELINS 2016/06/10 CH'KD: KCOX01 2016/06/21 APPR: TWOLDEGE 2013/12/12	QUALITY SYMBOL	GENERAL TOLERANCES (UNLESS SPECIFIED)		DIMENSION STYLE	SCALE	DESIGN UNITS	THIRD ANGLE PROJECTION	
	▽=0	mm	INCH	IN/MM	NTS	INCH		
	∇=0	4 PLACES ±---	±---		DRAWN BY	DATE	TITLE	
		3 PLACES ±---	±.005		GGUSTAFS	2013/10/31	MICRO- CHANGE ASSY 5 POLE MR 1/4NPT #22AWG PVC	
	2 PLACES ±0.13	±.010		CHECKED BY	DATE			
	1 PLACE ±0.25	±.020		VOU	2013/11/16			
	ANGULAR ±1/2°			APPROVED BY	DATE			
	DRAFT WHERE APPLICABLE MUST REMAIN WITHIN DIMENSIONS			BWOODMAN	2013/12/12	MOLEX INCORPORATED		
				MATERIAL NO.		DOCUMENT NO.	SHEET NO.	
				SEE CHART		SD-120070-051	1 OF 1	
	SIZE	THIS DRAWING CONTAINS INFORMATION THAT IS PROPRIETARY TO MOLEX INCORPORATED AND SHOULD NOT BE USED WITHOUT WRITTEN PERMISSION						
	C							