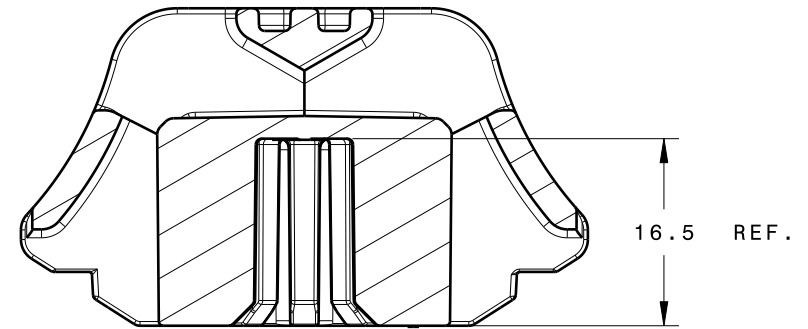
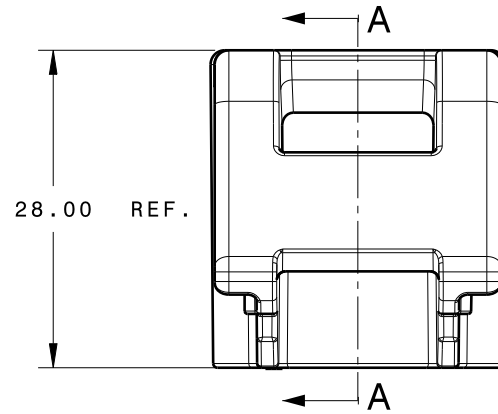
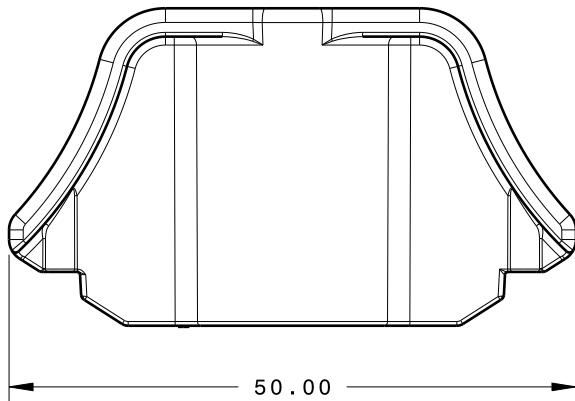
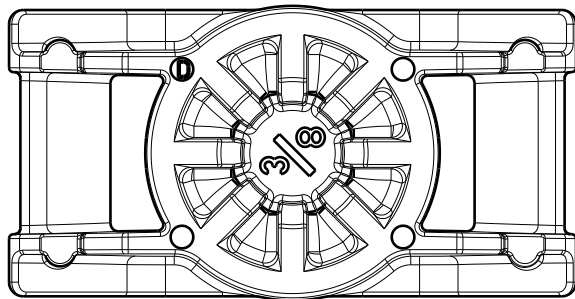


Isometric view
Scale: 1:1



Section view A-A



INVENTORS

HellermannTyton[®]

ALL PROPRIETARY RIGHTS IN THE SUBJECT MATTER SHOWN ON THIS DRAWING ARE EXCLUSIVE PROPERTY OF HELLERMANN TYTON

name	date	city, state
SCOTT ADAMS	10/12/09	MENOMONEE FALLS, WI

REVISIONS

level	
by	SJA
date	9/19/11
ECN #	011935
part level	D

DIMENSIONS

TOOL PREPARATION	.XXXX = ± 0.250
	.XXX = ± 0.50
	.XX = ± 1.00
	.X = ± 2.00
	∠ = ± 1.00
	unless otherwise specified
units	millimeters

PART

number	HM4	phase	PRODUCTION
name			
3/8" SPIN-ON H-MOUNT			
material			
NYLON 6/6, IMPACT MODIFIED, HEAT STABILIZED, UV STABILIZED COLOR: BLACK			

DRAWING

FORMAT	AH	CAD	CATIA V5	SCALE	3:2
VERSION	J				
A- SIZE (landscape)_N01		previous drawing number			
drawn	S. ADAMS	checked	G. GEIGER	approved	
	10/12/09		4/2/10		
type	CUSTOMER		sheet 1 of 1		
number	MT09-0354-010CST				