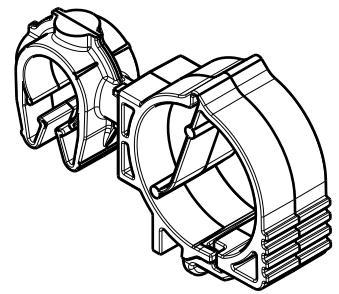
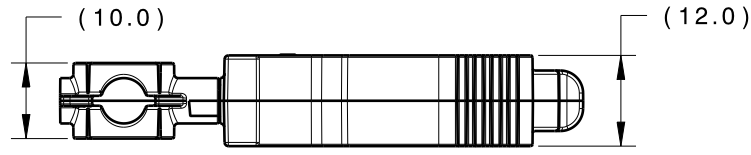
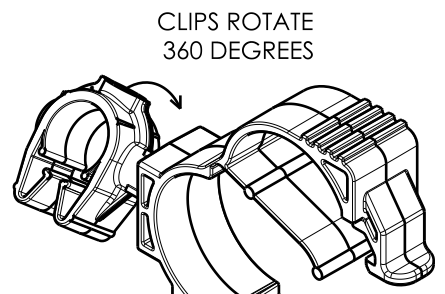
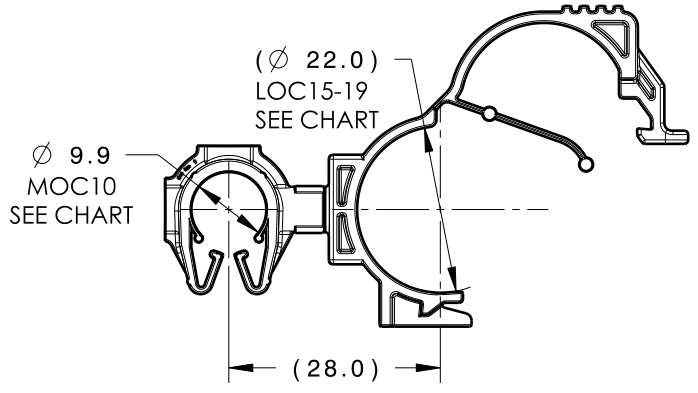


Revision Level			Revision Record	Changed	Date	Approved	Date
Drawing	State	Part					
02.1	Design Release	-	SEE ECN# 015045	TAT	4/3/2019	EJH	4/3/2019



ISOMETRIC VIEW  
CLOSED



ISOMETRIC VIEW  
OPEN

TYPE	MOC10F
HARNESS	10.0MM-11.5MM
HOSE	9.5MM-11.5MM
HARD PIPE/TUBE	10.0MM-11.5MM

\*RECOMMENDED SIZES MAY DIFFER DEPENDING ON THE APPLICATION , PRODUCT REQUIREMENTS AND MATERIALS USED

\*\*PATENT PENDING 29/582,271



GLOBAL PART DESCRIPTION	MOC10**			LOC 15-19		
	DRAWING	MATERIAL	COLOR	DRAWING	MATERIAL	COLOR
MOC10FLOC15-19-PA66HIRHSUV-BK	16-0318-000-CSU	PA66HIRHSUV	BLACK	12-0429-051-CSU	PA66HIRHSUV	BLACK

Material SEE CHART COLOR: SEE CHART	Units	millimeters	The copyright of this drawing is reserved by HellermannTyton. It is issued on condition that it is not reproduced, copied or disclosed to a third party, either wholly or in part, without the consent of HellermannTyton.	Drawn	TAT	11/13/17	Article/Type-No	MOC10FLOC15-19		Scale	1:1
	Tolerance defined on each dimension	Approved		EJH	11/13/17	Title		10MM MOC COUPLED TO 15-19MM LOC		Project Number	16-0327
		<b>HellermannTyton</b>			Drawing-No		PRODUCTION : Phase		Format	AH	
							<b>16-0327-103-CSU</b>		Sheet	1/1	
North America Email: corp@htamericas.com Web: www.hellermann.tyton.com											