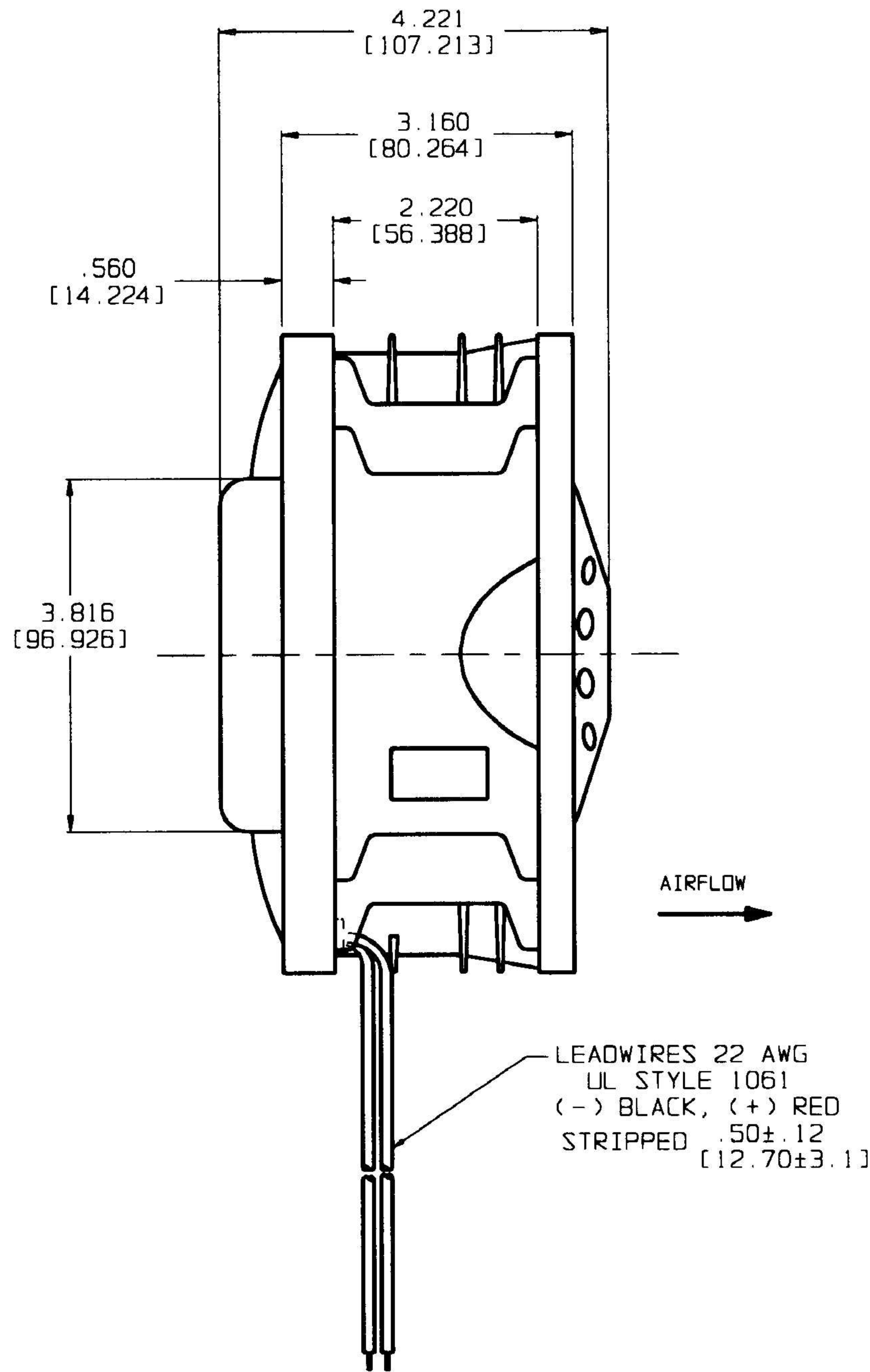
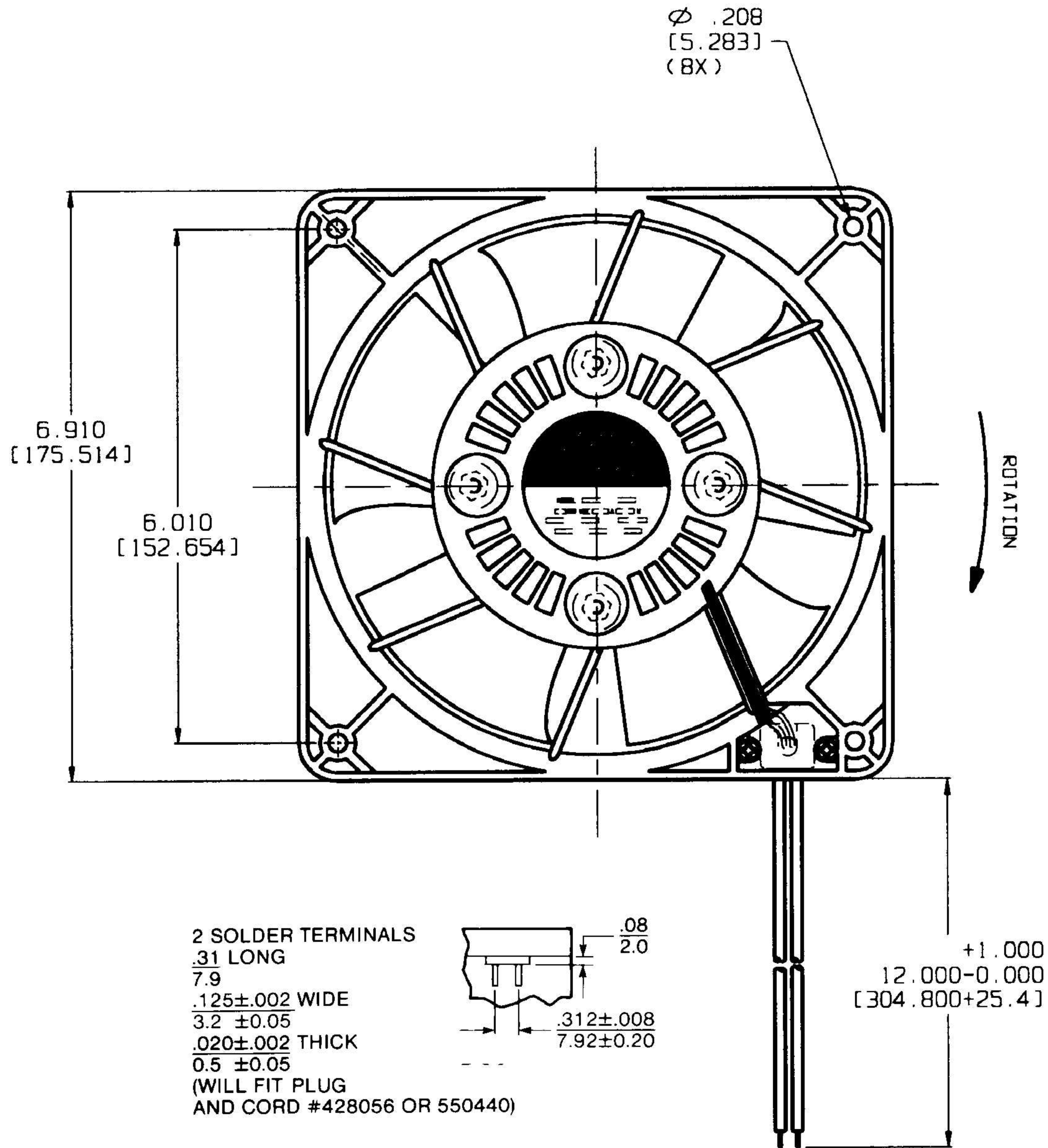
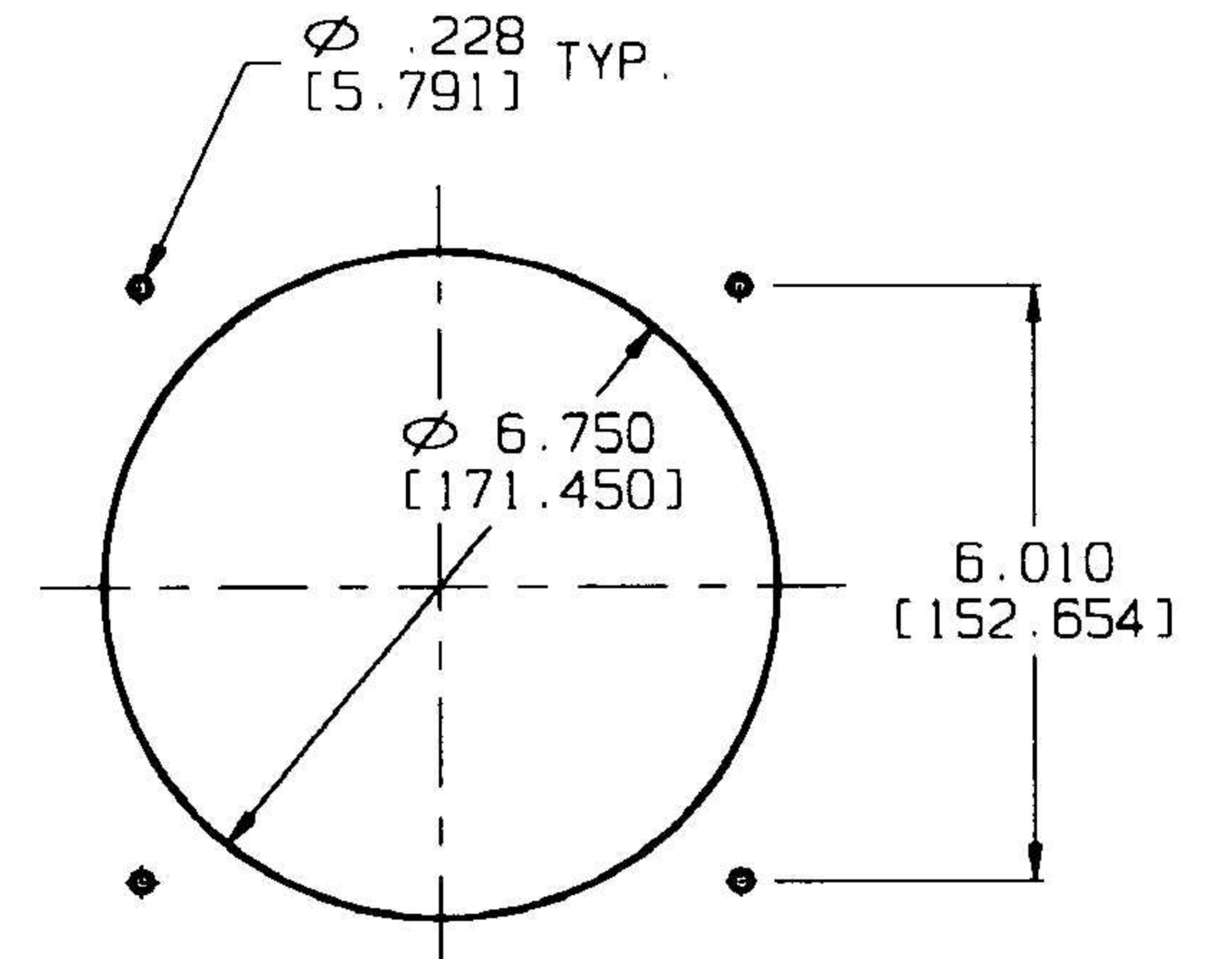


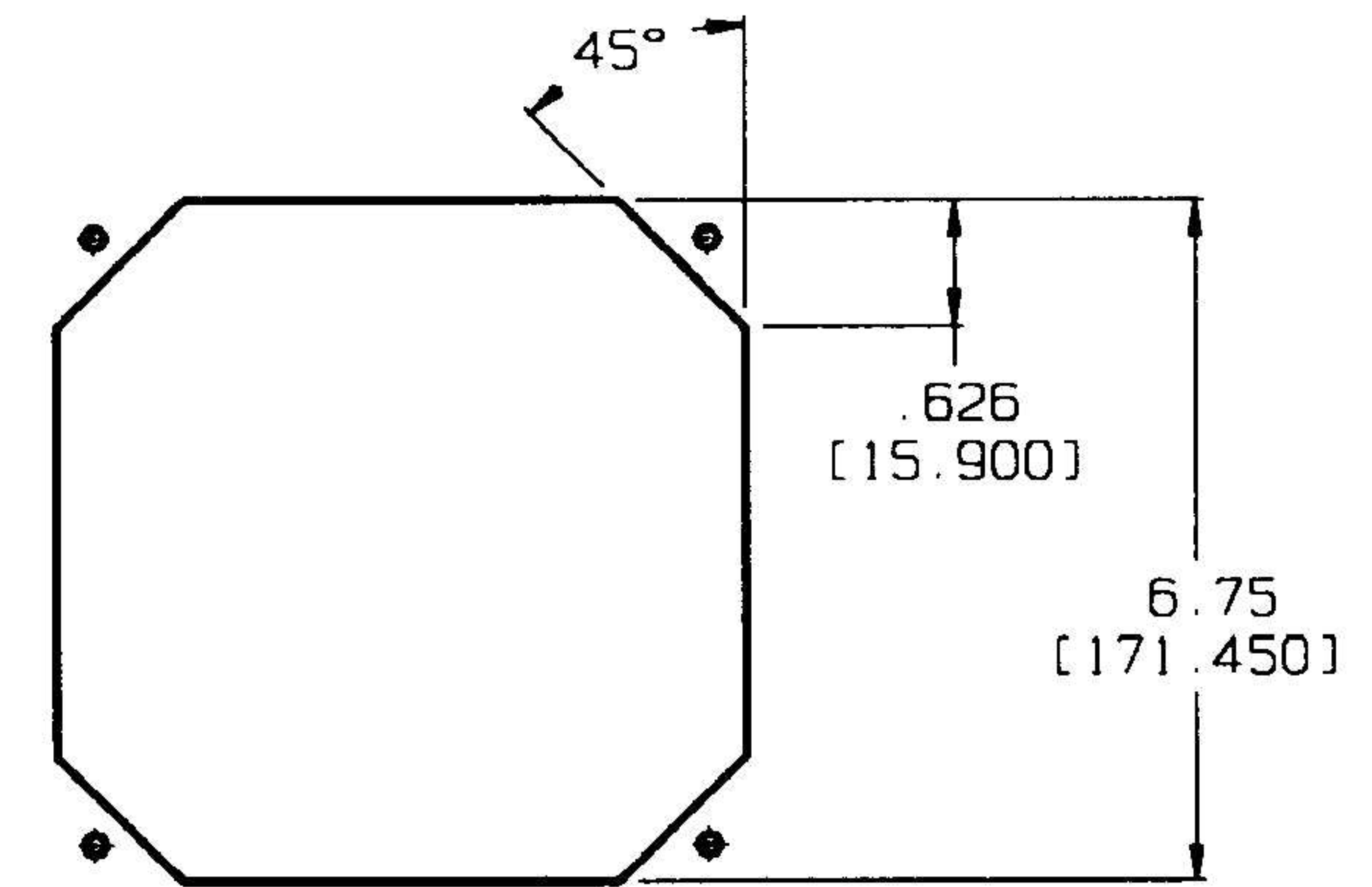
Specifications subject to change without notice



RECOMMENDED CUTOUTS



INLET (PROP) SIDE



EXHAUST (STRUT) SIDE

DIMENSIONS: $\frac{in}{mm} \pm$
 TOLERANCES: .XX = $\frac{.03}{0.8}$
 .XXX = $\frac{.010}{.25}$
 ANGULAR $\pm 5^\circ$
 (UNLESS NOTED)