

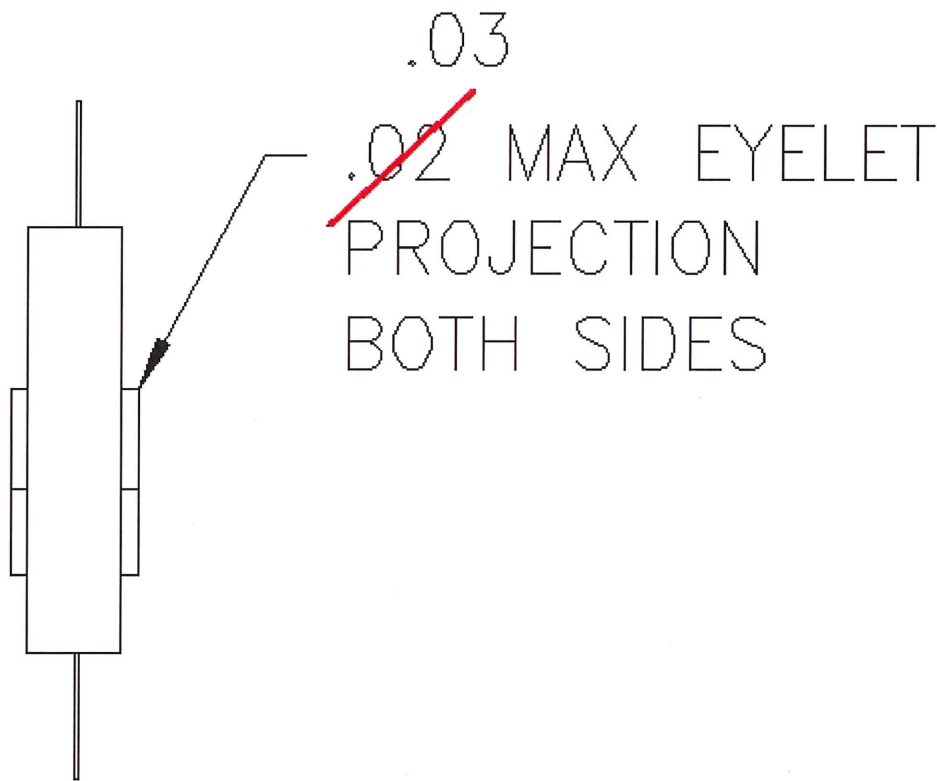
February 19, 2016

Notice of Mechanical Specification Change

Notice of Specification Change(s):

Anaren regrets to inform you that a specification change is required for the Caseless Components.
(See attached list)

Tab Leads product, Eyelet Projection is the specific mechanical change, see below detail:



If you have any questions or need further information, please call me at 1-800-544-2414 or send e-mail to lester.recore@anaren.com

Sincerely,

Les Recore
Senior Product Line Engineer

Part Number
10230-3
1A0230-3
10260-3
1A0260-3
1B0260-3
10261-3
10262-3
10263-3
1D0263-3
1B0264-3
10265-3
1B0265-3
10266-3
1A0266-3
10330-3
40170
40600
1B0263-3
1B0320-3
10890-3
1H0263-3
1R0260-3
1H0280-3
1B0266-3
1E0320-3
1J0280-3
1A0920-3
1H0264-3
1R0263-3
11270-3
1Z0263-3
1K0265-3
1L0265-3
1H0262-3
1Z0280-3
1Z0364-3
1B0364-3
1Z0262-3
1H0360-3
1Z0261-3
1B0890-3
1D0261-3
915-90-400-211
121-231-90-200-210
1C0266-3
1Y0265-3
1G0265-3
1D0266-3
1A0220-3
1B0220-3
1C0220-3
1D0220-3