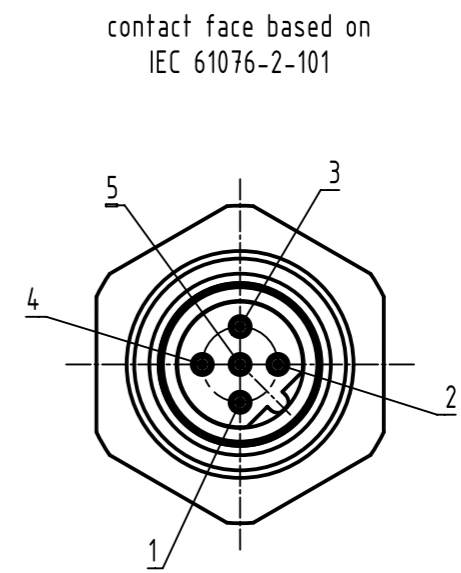
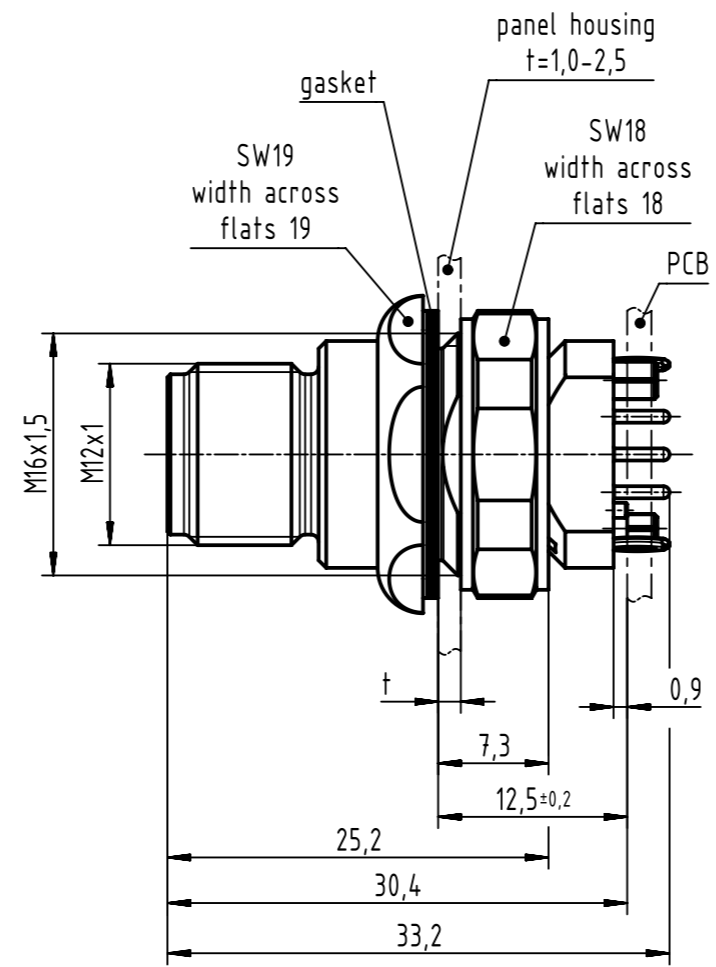
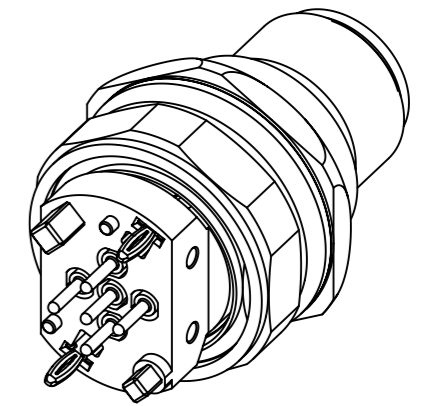
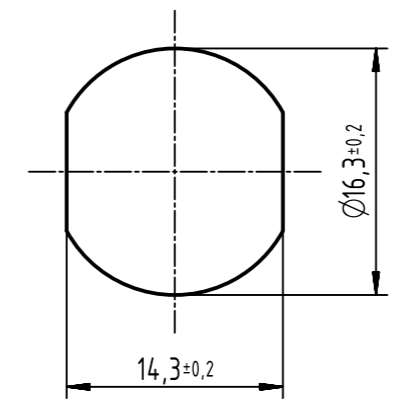
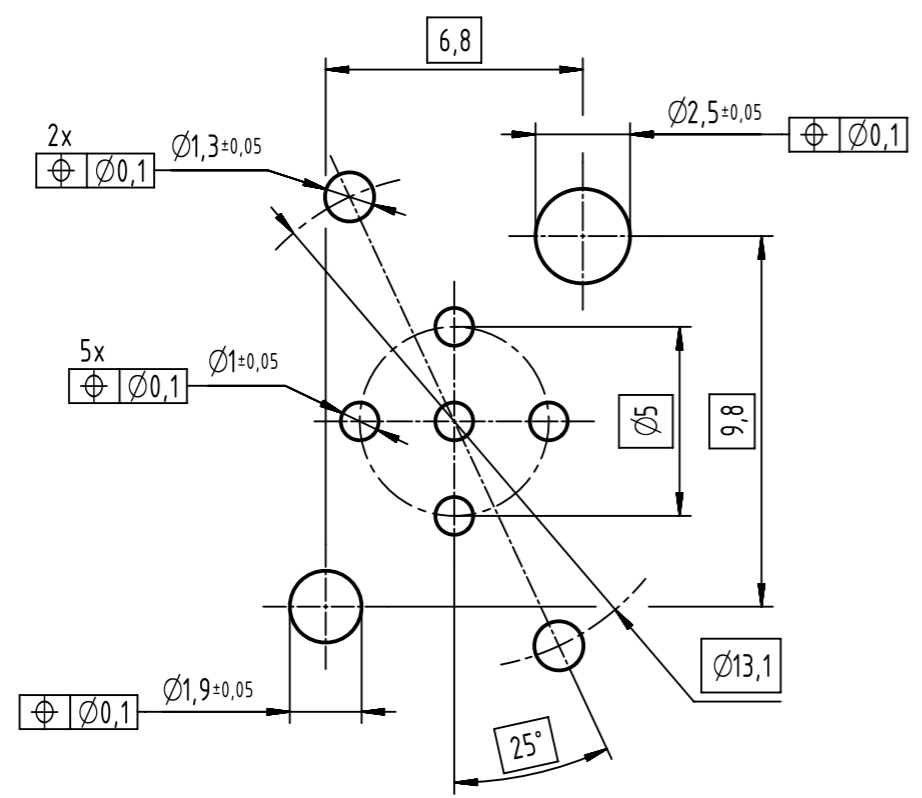


X



X (5:1)
recommended PCB-layout



- 1 pcs. single package

	All rights reserved		Created by		Inspected by		Standardisation		Date		State	
	Department EC PD - DE		STORCK		WELLMANN		KOHLER		2015-08-04		Final Release	
HARTING Electronics GmbH		Title						Doc-Key / ECM-Nr.		Rev.		Page
D-32339 Espelkamp		HARTING M12 PCB receptacle male B-coded 5-pole front						100569988/UGD/000/C		C	1/1	
		Type		Number								
		TB		21033411531								