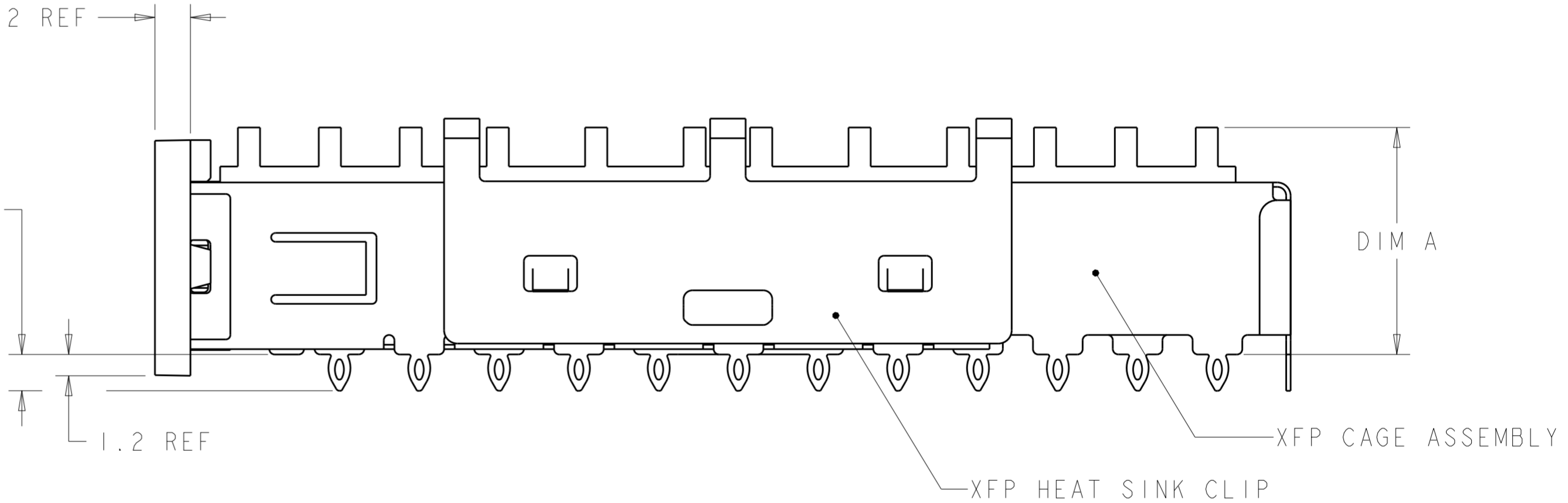
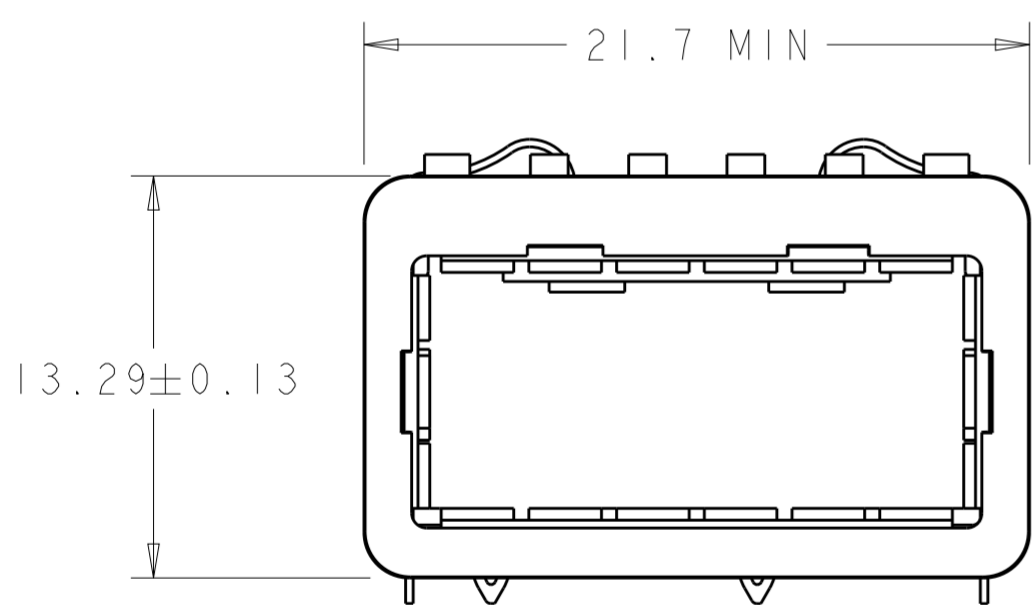
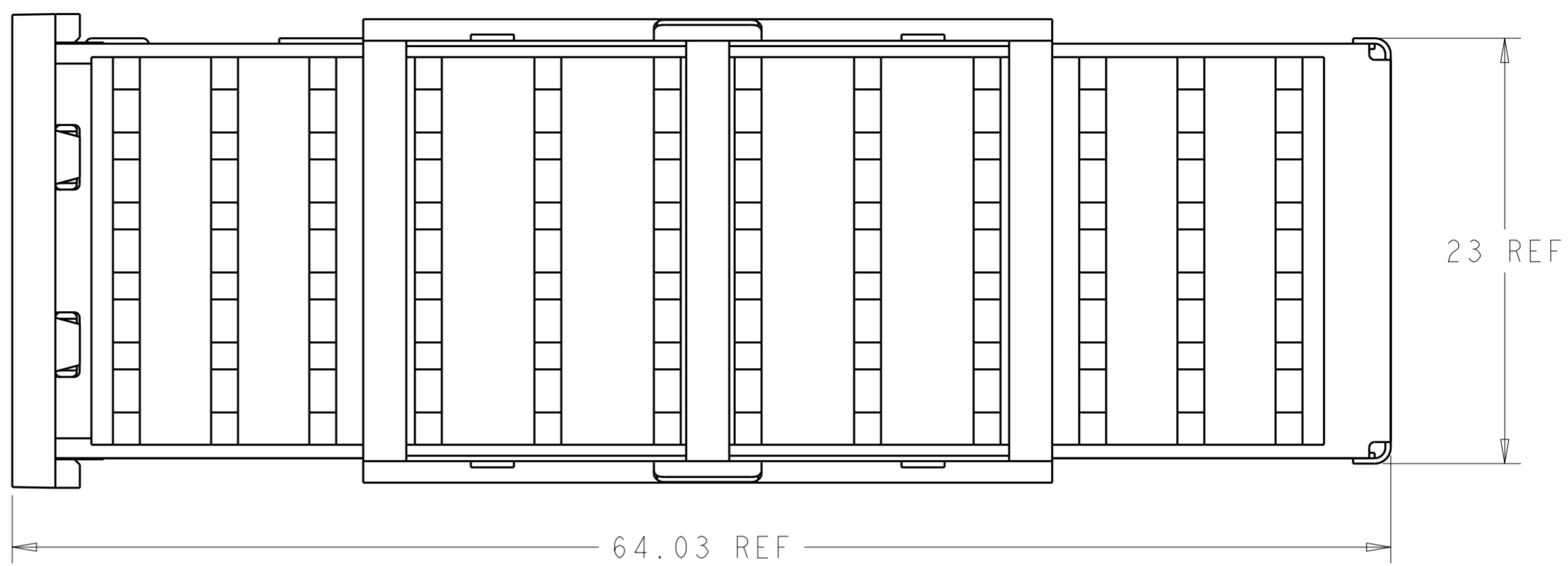
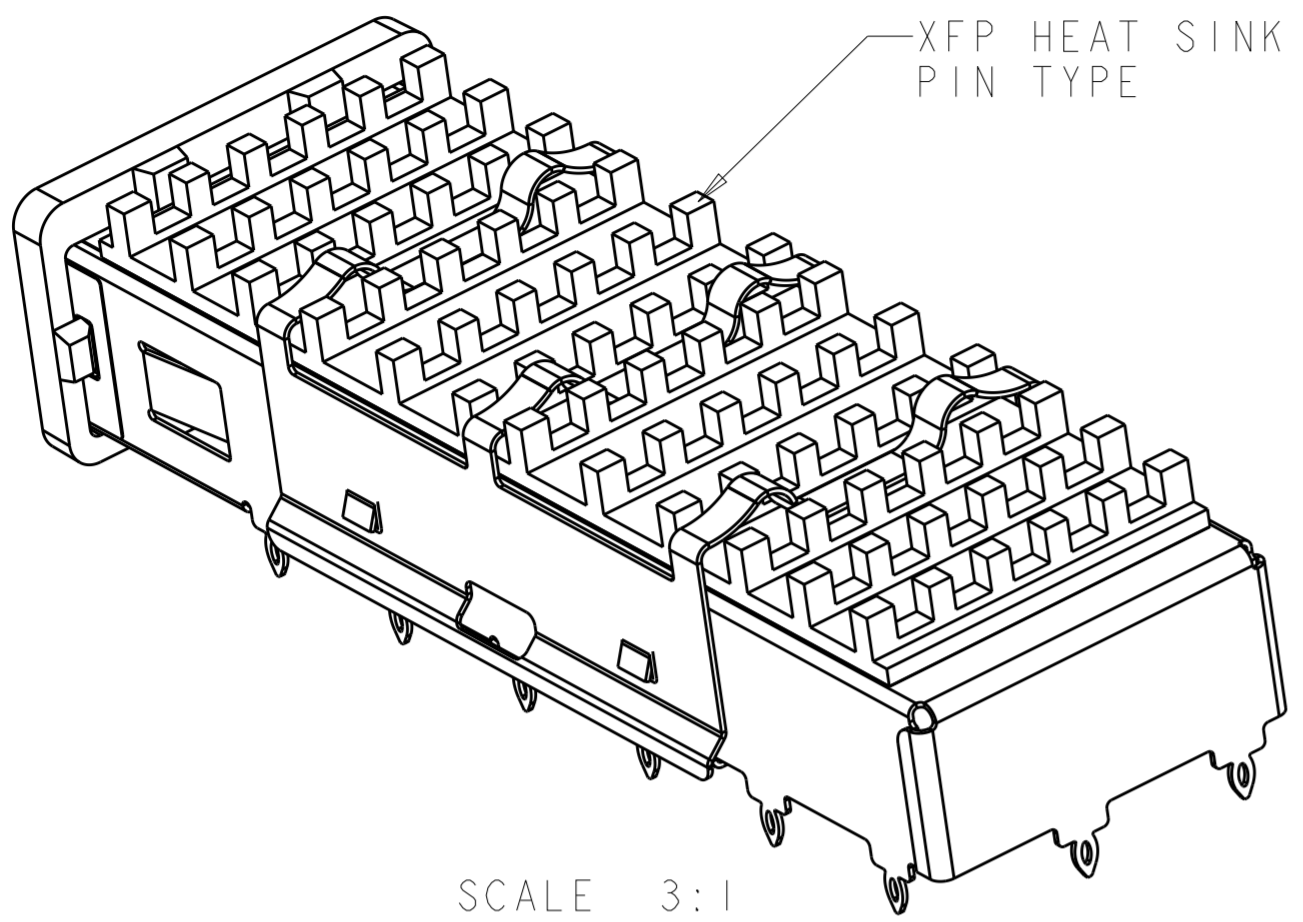


THIS DRAWING IS UNPUBLISHED. RELEASED FOR PUBLICATION 20  
 © COPYRIGHT 20 BY - ALL RIGHTS RESERVED.

LOC	DIST	REVISIONS			
P	LTR	DESCRIPTION	DATE	DWN	APVD
ES	00	A	INITIAL RELEASE	06DEC2017	AJ SH



- ① MATES WITH XFP-MSA COMPLIANT TRANSCEIVERS.
- ② DATUM **-X-** AND **-Y-** ESTABLISHED BY CUSTOMER.
- ③ DATUM **-A-** IS TOP SURFACE OF HOST BOARD.
- ④ INDICATED SURFACES TO BE CONDUCTIVE AND CONNECTED TO CHASSIS GROUND.
- 5. SEE COMPONENT DRAWINGS FOR COMPONENT DIMENSIONS AND INFORMATION.

22.9	1542706-3	1489948-2	2303074-1	NET WORKING	2303075-3
15.8	1542618-2	1489948-2	2303074-1	SAN	2303075-2
13.6	1542656-4	1489948-2	2303074-1	PCI	2303075-1
A MAX	HEAT SINK PART NUMBER	HEATSINK CLIP PART NUMBER	CAGE ASSY PART NUMBER	APPLICATION	PART NUMBER

THIS DRAWING IS A CONTROLLED DOCUMENT.

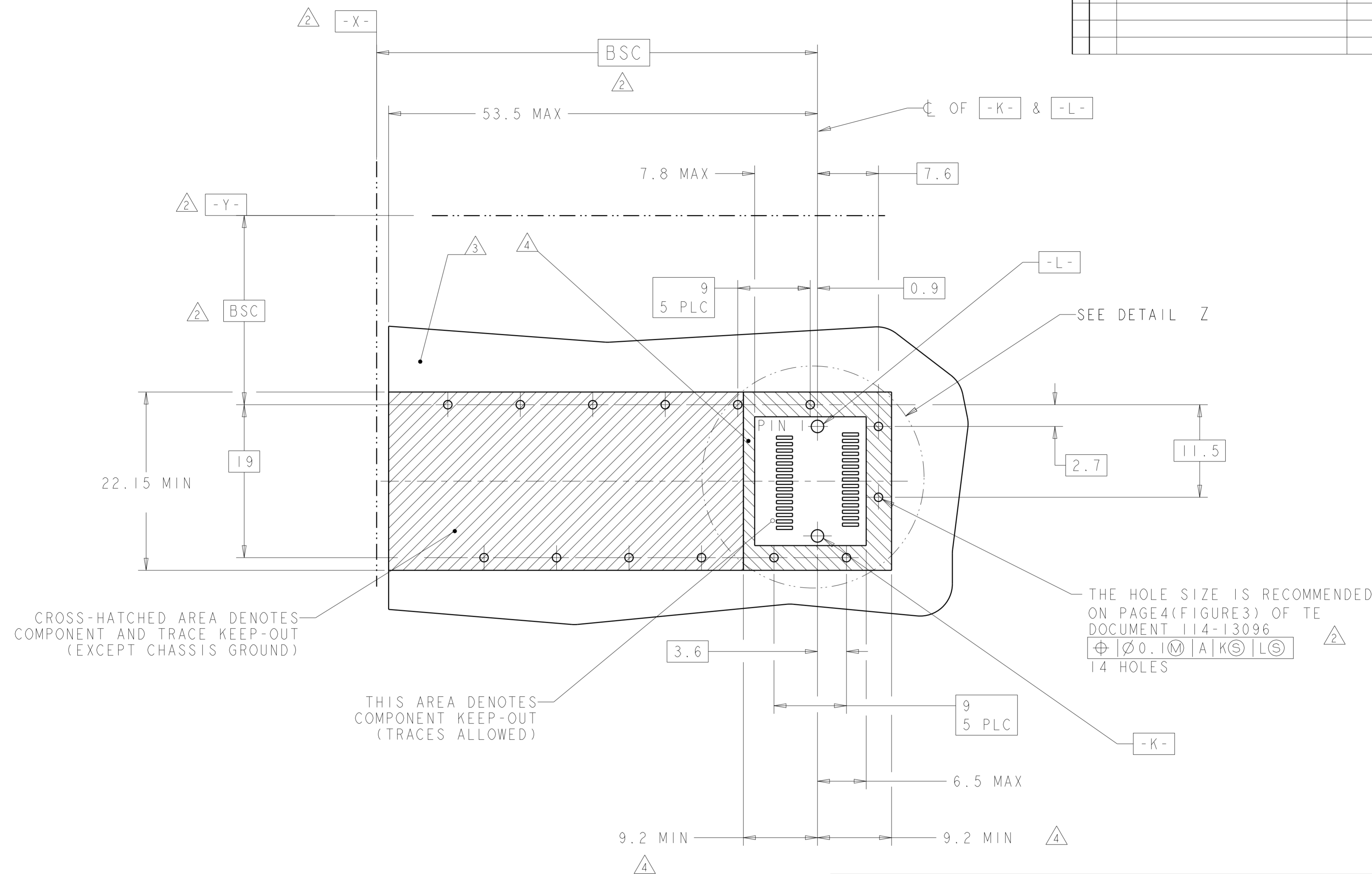
DIMENSIONS:	TOLERANCES UNLESS OTHERWISE SPECIFIED:	DWN	18APR2016	 TE Connectivity
mm	0 PLC ±-	CHK	18APR2016	
	1 PLC ±.1	APVD	18APR2016	
	2 PLC ±.01	NAME	ARTHUR JIN	
	3 PLC ±.001	PRODUCT SPEC	SEAN HAN	XFP CAGE ASSEMBLY
	4 PLC ±.0001	APPLICATION SPEC	SEAN HAN	FRONT EMI SPRING W HEAT SINK
MATERIAL	FINISH	SIZE	114-13096	10 GIGABIT
		WEIGHT	-	
		CUSTOMER DRAWING	A200779	C-2303075

RESTRICTED TO -

SCALE 4:1 SHEET 1 OF 3 REV A

THIS DRAWING IS UNPUBLISHED. RELEASED FOR PUBLICATION 20  
 © COPYRIGHT 20 BY - ALL RIGHTS RESERVED.

LOC	DIST	REVISIONS					
ES	00	P	LTR	DESCRIPTION	DATE	DWN	APVD
		-		SEE SHEET 1	-	-	-

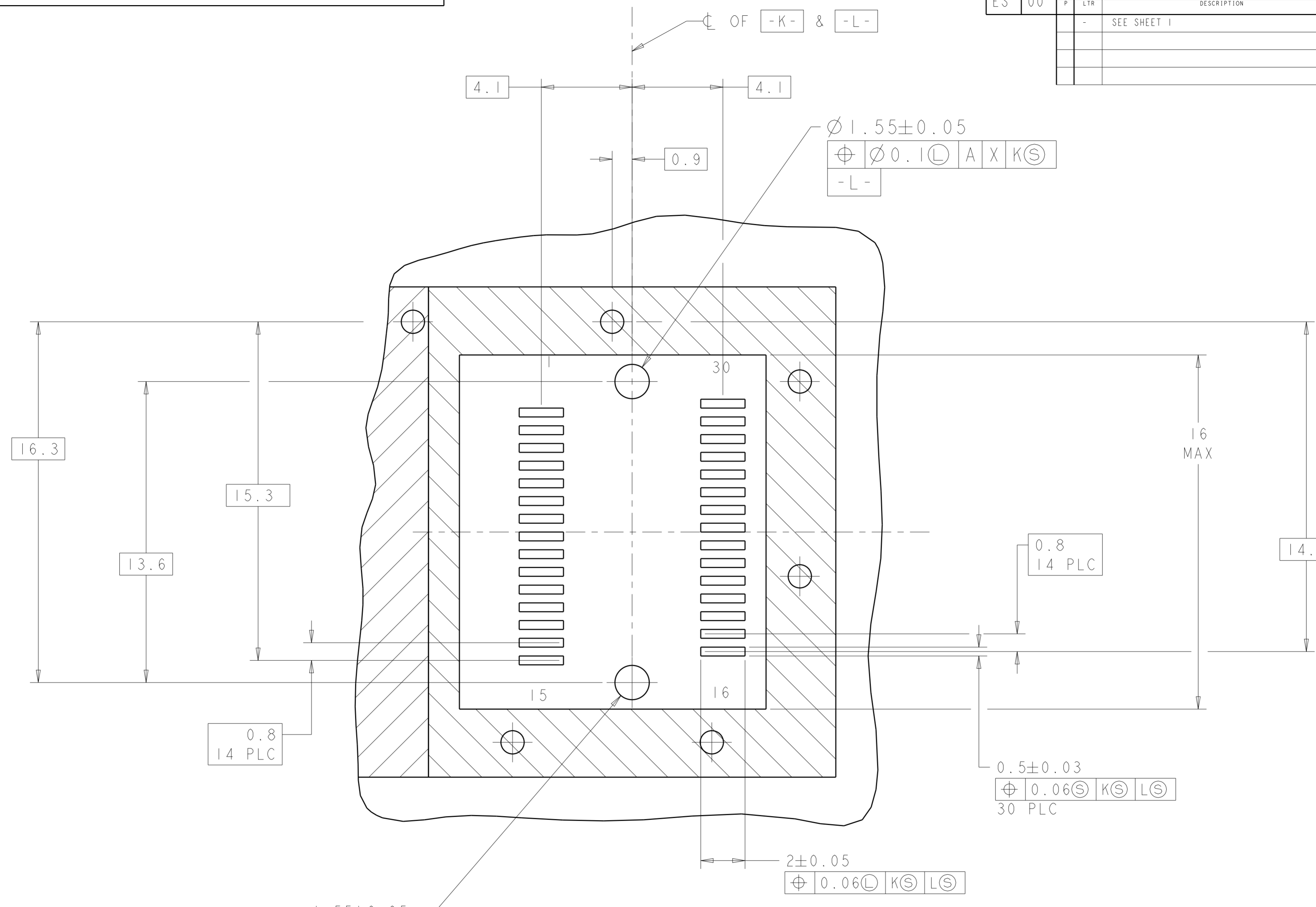


# DETAILED HOST BOARD MECHANICAL LAYOUT

THIS DRAWING IS A CONTROLLED DOCUMENT.		DWN 18APR2016 ARTHUR JIN	TE Connectivity
DIMENSIONS: mm		CHK 18APR2016 SEAN HAN	
TOLERANCES UNLESS OTHERWISE SPECIFIED:		APVD 18APR2016 SEAN HAN	NAME XFP CAGE ASSEMBLY FRONT EMI SPRING W HEAT SINK 10 GIGABIT
0 PLC ±- 1 PLC ±.1 2 PLC ±.01 3 PLC ±.001 4 PLC ±.0001 ANGLES ±- FINISH		PRODUCT SPEC 108-2127	SIZE CAGE CODE DRAWING NO RESTRICTED TO
MATERIAL -		APPLICATION SPEC 114-13096	A200779 C-2303075
		WEIGHT -	SCALE 2:1 SHEET 2 OF 3 REV A
		CUSTOMER DRAWING	

THIS DRAWING IS UNPUBLISHED. RELEASED FOR PUBLICATION 20  
 © COPYRIGHT 20 BY - ALL RIGHTS RESERVED.

LOC	DIST	REVISIONS			
P	LTR	DESCRIPTION	DATE	DWN	APVD
ES	00	SEE SHEET 1	-	-	-



1.55±0.05  
 Ø0.1(L) A X Y  
 -K-

DETAIL Z  
 SCALE 8:1

# DETAILED HOST BOARD MECHANICAL LAYOUT

THIS DRAWING IS A CONTROLLED DOCUMENT.		DWN ARTHUR JIN 18APR2016	TE Connectivity	
DIMENSIONS: mm		CHK SEAN HAN 18APR2016		
TOLERANCES UNLESS OTHERWISE SPECIFIED:		APVD SEAN HAN 18APR2016	NAME XFP CAGE ASSEMBLY FRONT EMI SPRING W HEAT SINK 10 GIGABIT	
0 PLC ±.1	1 PLC ±.01	PRODUCT SPEC 108-2127	SIZE A200779	CAGE CODE C-2303075
2 PLC ±.001	3 PLC ±.0001	APPLICATION SPEC 114-13096	DRAWING NO	RESTRICTED TO
4 PLC ±.0001	ANGLES ±	WEIGHT	SCALE 1:1	SHEET 3 OF 3
MATERIAL	FINISH	CUSTOMER DRAWING	REV A	