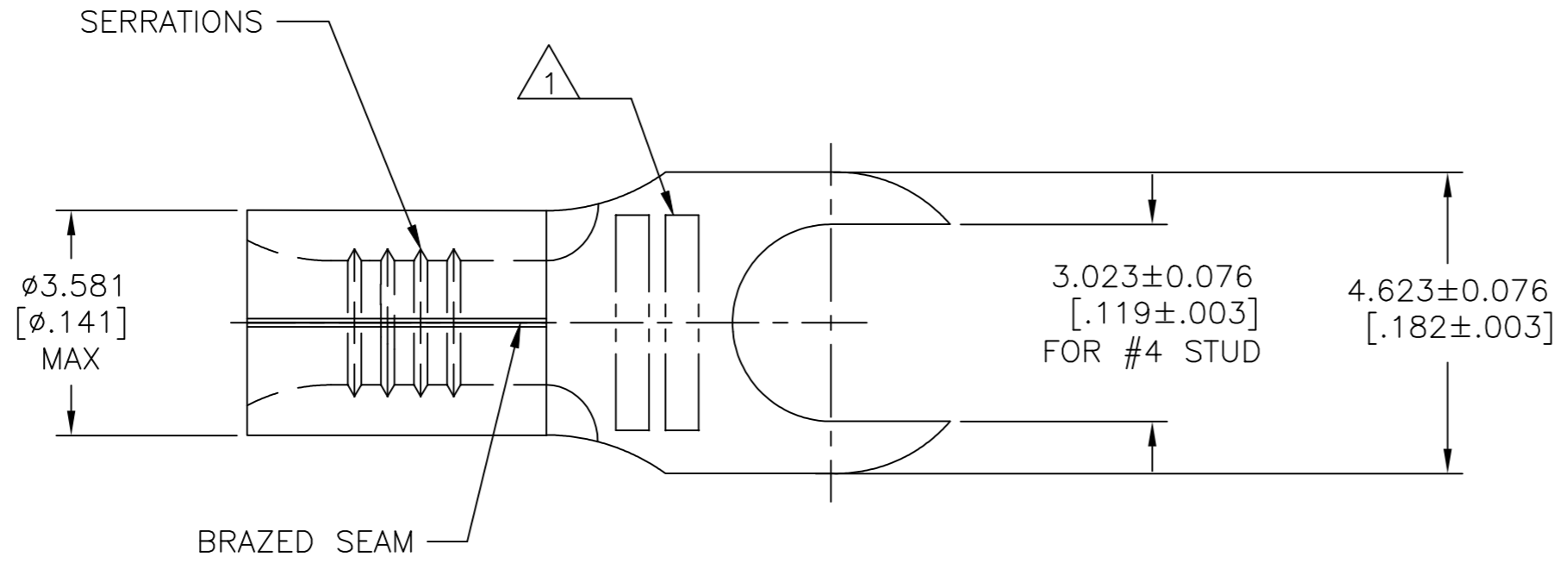


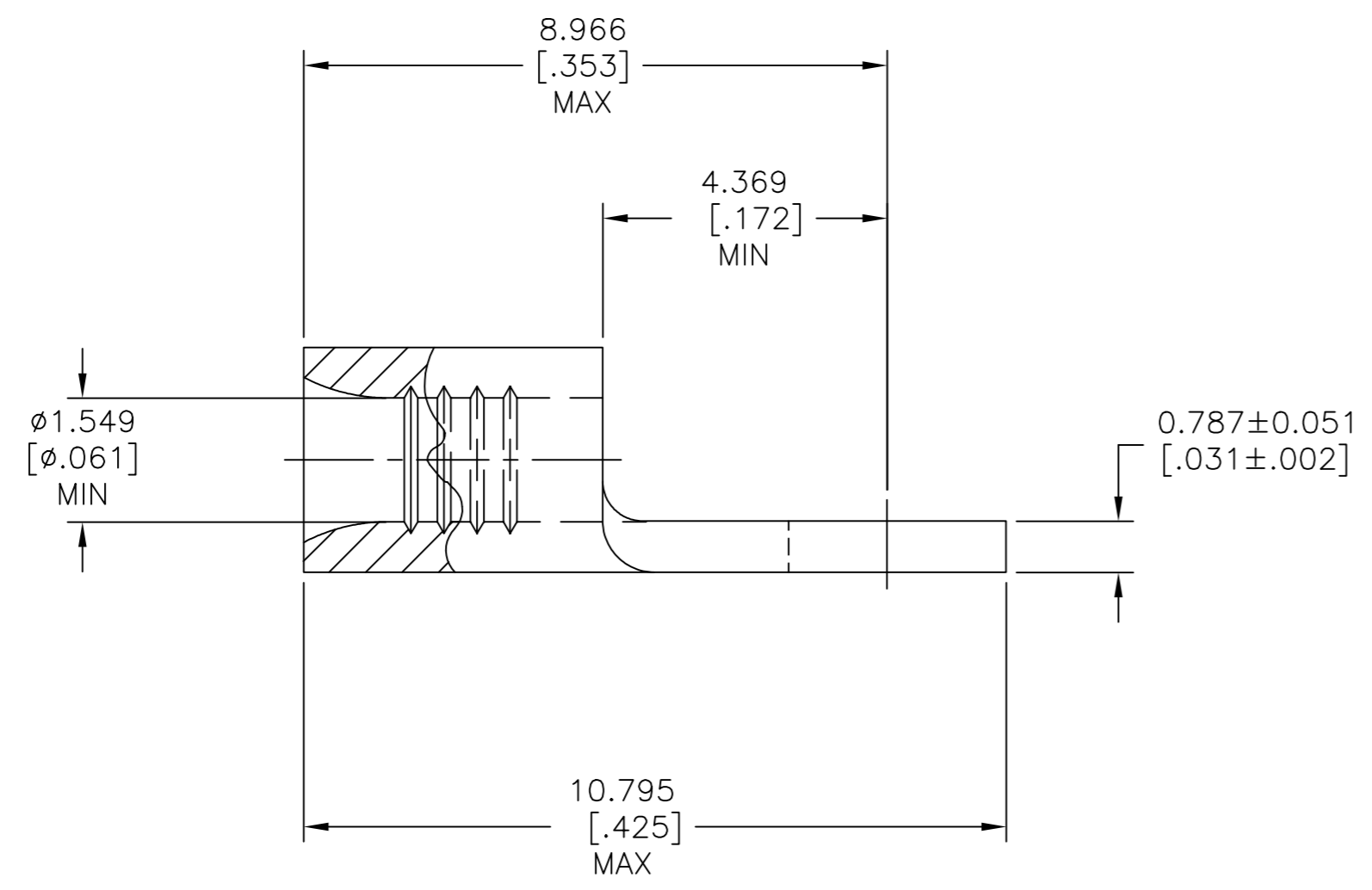
THIS DRAWING IS UNPUBLISHED. RELEASED FOR PUBLICATION
 © COPYRIGHT - TE Connectivity Ltd. ALL RIGHTS RESERVED.

REVISIONS					
P	LTR	DESCRIPTION	DATE	DWN	APVD
D		REV, RDRW, & SM PKG PER 0720-0040-93	4-8-93	-	DAP
D1		REVISED PER ECO-17-008808	13MAR2018	RS	DR



AMP WIRE RANGE	E13288 Listed
22-16 AWG SOLID OR STRANDED	22-16 AWG SOLID OR STRANDED
LR7189 Certified	MILITARY P/N AND CLASS
22-16 AWG SOLID OR STRANDED	NOT APPLICABLE

1 STAMP AMP 22-18* APPROX AS SHOWN
 22-16 TERMINALS ARE STAMPED 22-18 IN
 ACCORDANCE WITH MILITARY SPECIFICATION
 SAE AS7928, COMMERCIAL WIRE RANGE IS 22-16



1000	LOOSE PIECE	321288
QUANTITY	PACKAGE TYPE	PART NO

AMP INCORPORATED CUSTOMER SERVICE SYSTEMS		
FOR ADDITIONAL PRODUCT INFORMATION OR COPIES OF DRAWINGS AND TECHNICAL DOCUMENTS	PRODUCT INFORMATION CENTER 1-800-522-6752	MAX RECOMMENDED OPERATING TEMPERATURE: 170°C [338°F] MAX
FOR APPLICATION	TOOLING ASSISTANCE CENTER 1-800-722-1111	VOLTAGE RATING: NOT APPLICABLE
FOR ORDER ENTRY	1-800-526-5142	WIRE CROSS SECTIONAL AREA RANGE, 0.26-1.65mm ² [509-3,260] CIR MILS SOLID OR STRANDED

THIS DRAWING IS A CONTROLLED DOCUMENT.		DWN RAVI S 13MAR2018
DIMENSIONS: mm [INCHES]		CHK ROHDE DANIEL F 13MAR2018
TOLERANCES UNLESS OTHERWISE SPECIFIED:		APVD ROHDE DANIEL F 13MAR2018
0 PLC ± -		PRODUCT SPEC
1 PLC ± -		APPLICATION SPEC
2 PLC ± -		UL 486 A-B
3 PLC ± 0.127[.005]		WEIGHT
4 PLC ± -		CUSTOMER DRAWING
ANGLES ± -		SCALE 10:1
FINISH		SHEET 1 of 1
MATERIAL COPPER PER ASTM B-152 ANNEALED		REV D1
TIN PLATE 0.00254[.000100] MIN THK PER ASTM B545		

TE Connectivity Ltd.			
NAME TERMINAL, SLOTTED RING TONGUE, SOLISTRAND™ 22-16 AWG			
SIZE A2	CAGE CODE 00779	DRAWING NO C=321288	RESTRICTED TO -