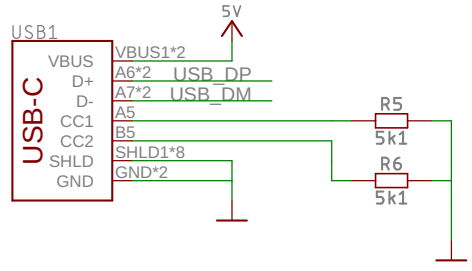
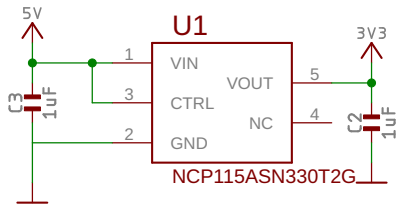


Servo 2040 – RP2040 et al

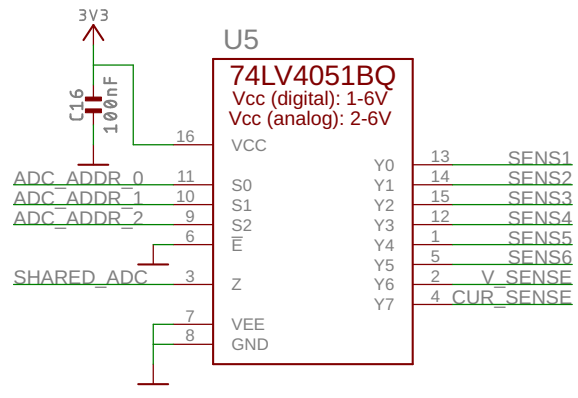
USB-C connector



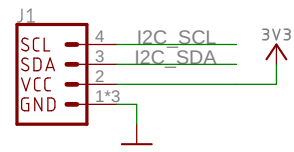
LDO



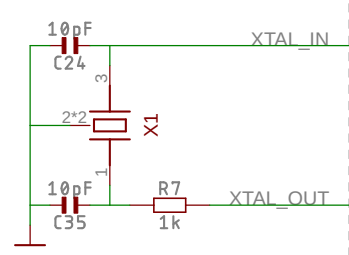
ADC Multiplexer



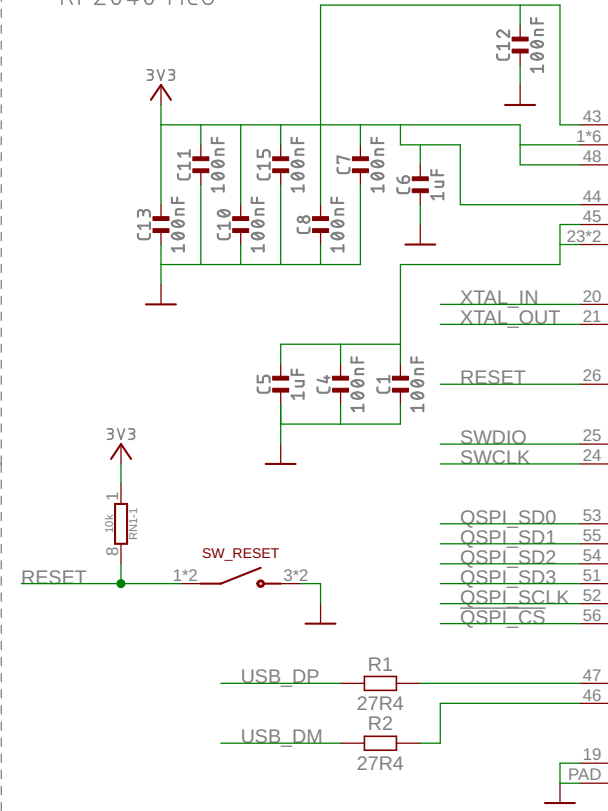
Qw/st connector



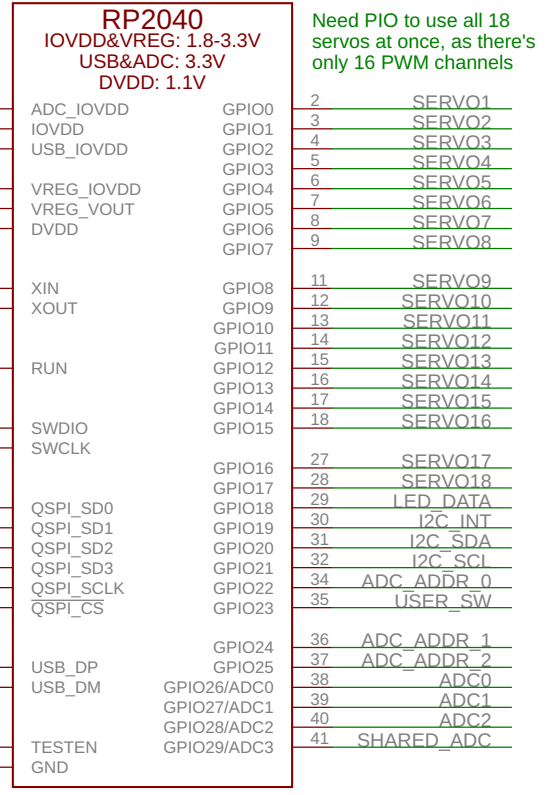
Crystal oscillator



RP2040 MCU

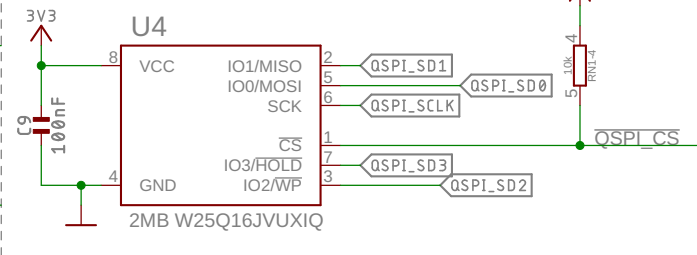


MCU1

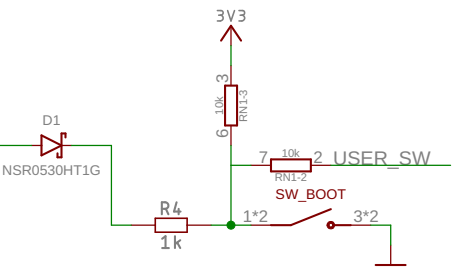


Need PIO to use all 18 servos at once, as there's only 16 PWM channels

Flash memory



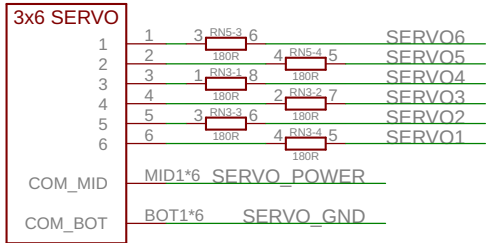
Combined USB boot & user switch



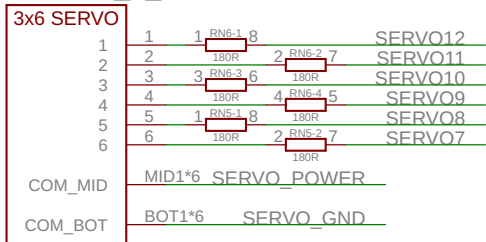
Servo 2040 – Power and Connectors

Servo connectors

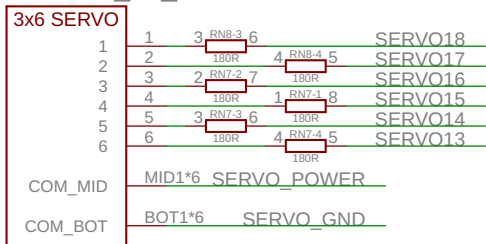
SERVO_1_18



SERVO_7_12

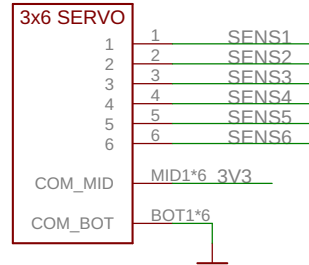


SERVO_13_18

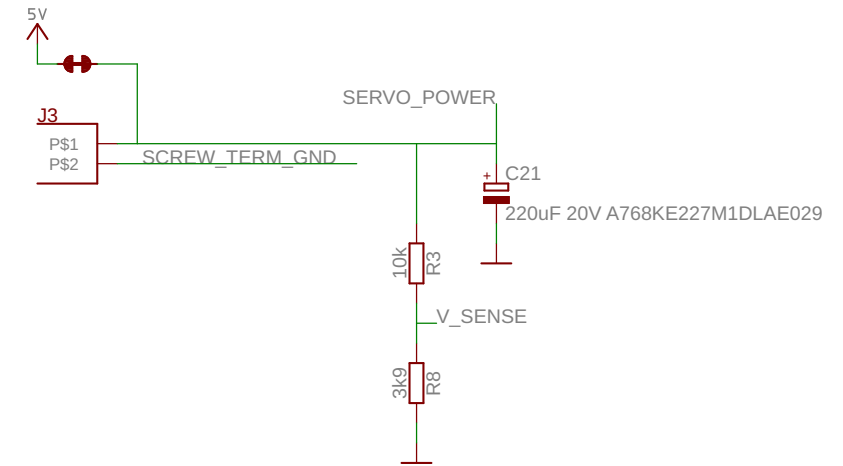


Sensor connectors

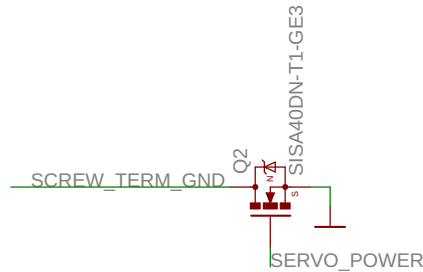
SENSORS_1_6



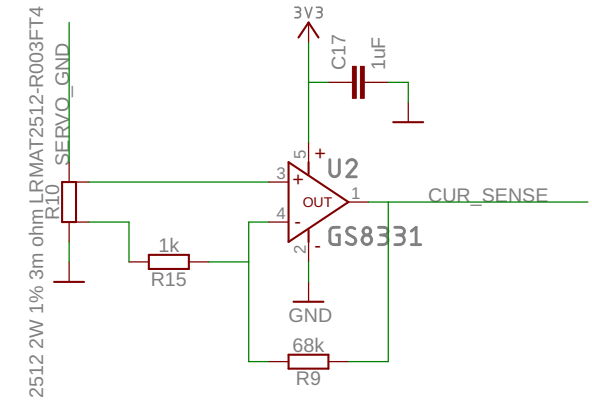
Screw terminal power input & voltage sense



Screw terminal reverse voltage protection



Current sense



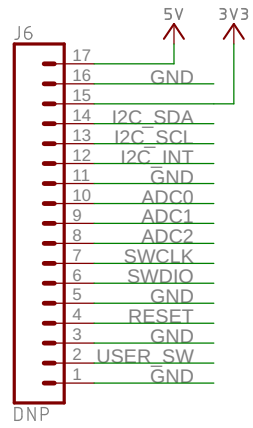
Resistor power at 10A:
 $10 \times 10 \times 0.003 = 0.3W$
 Or 15A: = 0.675W

Max voltage across sense resistor:
 $0.003 \text{ ohm} \times 15A = 0.045V$
 $0.003 \text{ ohm} \times 20A = 0.060V$

With 1k and 68k resistors, gain is 69x.
 Thus 0.045V becomes 3.105V.

Servo 2040 – Header & LEDs

Extension header



RGB LEDs

