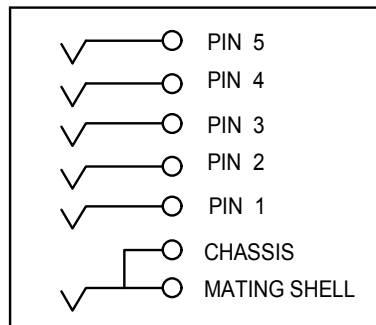
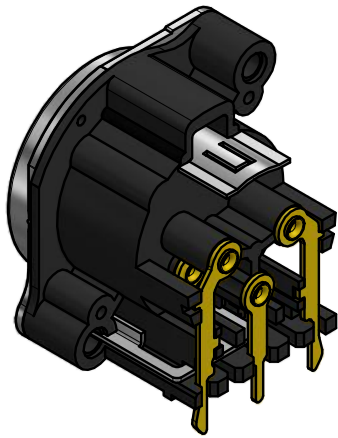
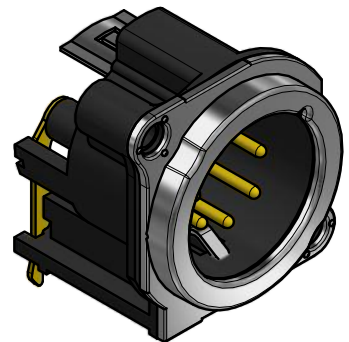
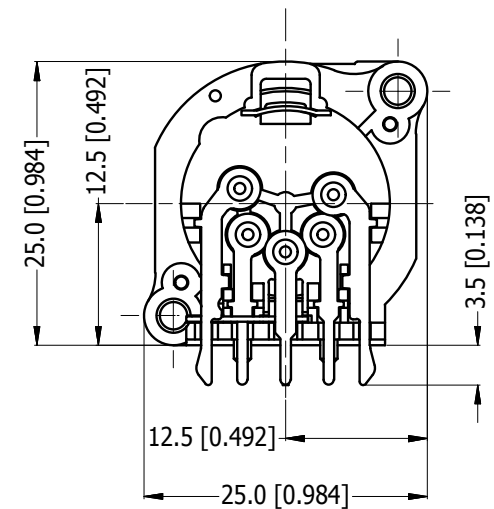
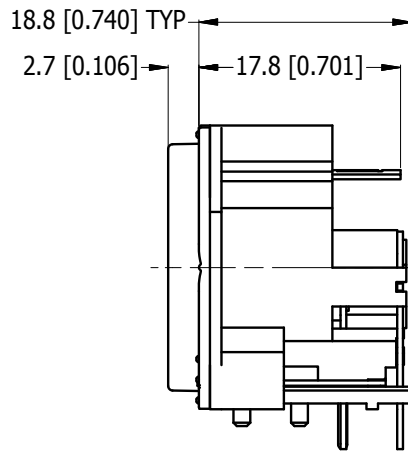
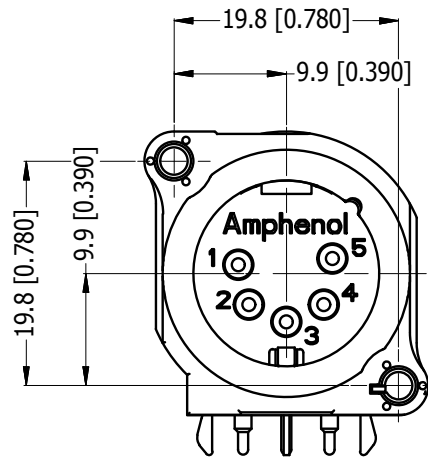
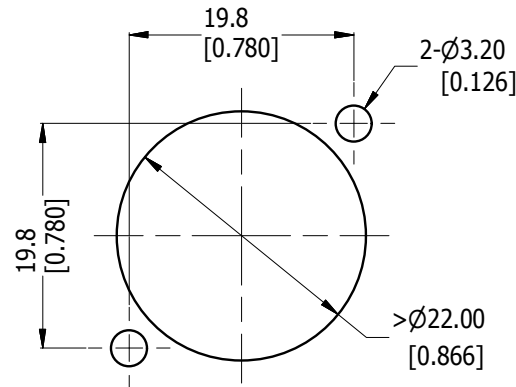


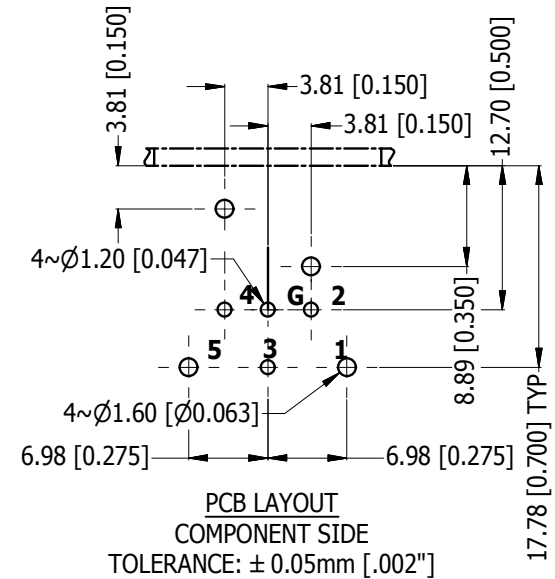
LEGEND = KEY PRODUCT CHARACTERISTICS



SCHEMATIC CHART



PANEL CUT OUT REAR VIEW



PCB LAYOUT COMPONENT SIDE TOLERANCE: ± 0.05mm [.002"]

REVISION HISTORY				
REV	DESCRIPTION	DATE	BY	ECN
1	FIRST ISSUED	17-03-17	MH	----

PART NUMBER TABLE	
PART NUMBER	METAL FLANGE FINISH
AC5MBH-AU-PRE	SATIN NICKEL
AC5MBHB-AU-PRE	MATT BLACK

UNLESS OTHERWISE SPECIFIED TOLERANCE TO BE	
LINEAR	ANGULAR
X ± 0.5	X' ± 1
X.X ± 0.2	X.X' ± 30'
X.XX ± 0.1	X.XX" ± 15'

THIS DOCUMENT IS THE PROPERTY OF AMPHENOL AUSTRALIA PTY. LTD. NO PART THEREOF MAY BE REPRODUCED AND USED WITHOUT THE PRIOR WRITTEN CONSENT OF THE OWNER

MATERIAL: SEE COMPONENT	DRN: M.H	DATE: 14-03-17
DO NOT SCALE	CKD: M.H	DATE: 17-03-17
FINISH: SEE COMPONENT	APP'D: P.M	DATE: 17-03-17

	Amphenol Australia Pty.Ltd, 22 Industry Blvd, Carrum Downs, VIC 3201		
	TITLE: AC5MBH/B-AU-PRE B-TYPE HORIZ CUSTOMER DWG	PART No. SEE PN TABLE	
DIMENSIONS IN MILLIMETRES	SCALE: 3:2	SIZE: A4	CAD FILE 55011223000111
DRAWING No. 55011223-000-2		SHEET 2/2	