



Electrical specifications

Center Frequency: 2 MHz
Bandwidth: 0.20 MHz
Passband: 1.95-2.05 MHz
Insertion Loss: 6.0 dB Max
Return Loss: 14 dB Min
Rejection: >50 dB @ 0-1.78 MHz
>50 dB @ 2.22-50 MHz

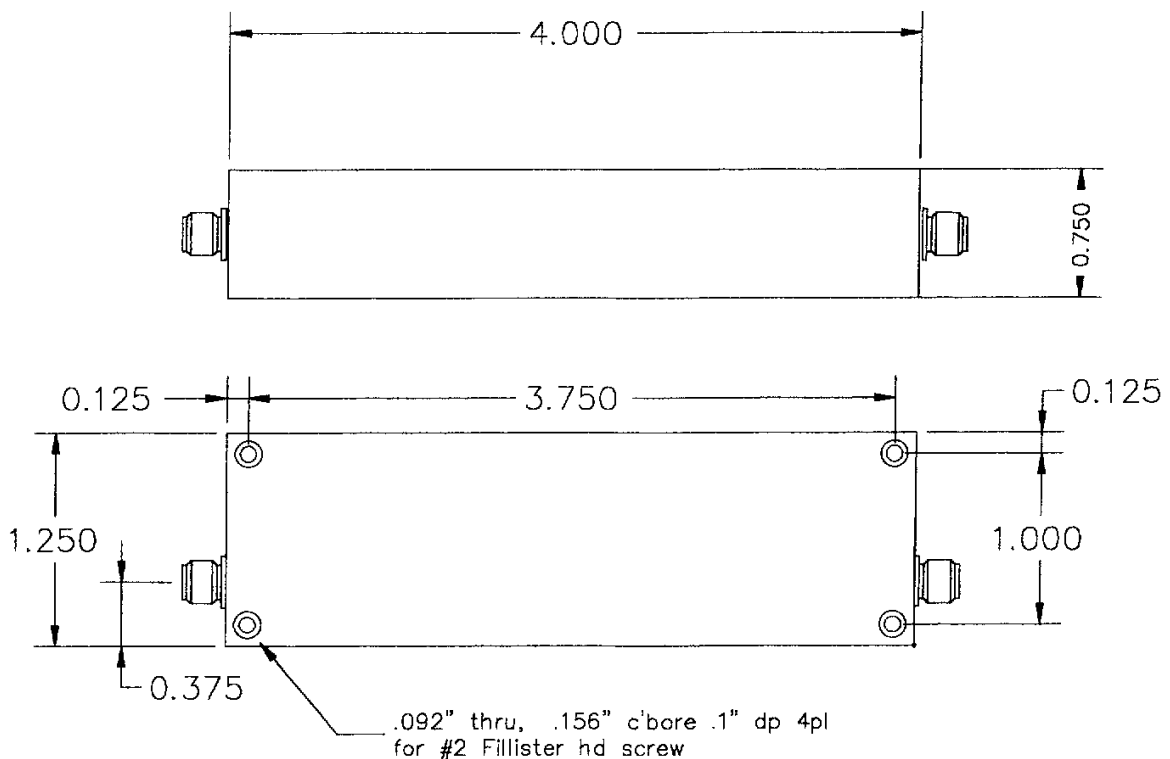
Mechanical

Dimensions: 4.0 x 1.25 x 0.75 inches

Environmental

Operating Temperature: -45 to +85o C
Storage Temperature: -55 to +95o C
Shock: 20 G. 11ms
Vibration: 20 G. 5 to 200 MHz

Outline Drawing:





2 MHz LC Bandpass Filter

Part Number: AE2B8807



Plot:

