

**PART NUMBER CODING**  
**MPP- 100-05-DS-4GR(S1402)**

**INSULATOR MATERIAL**

**1 = BROWN PPS**

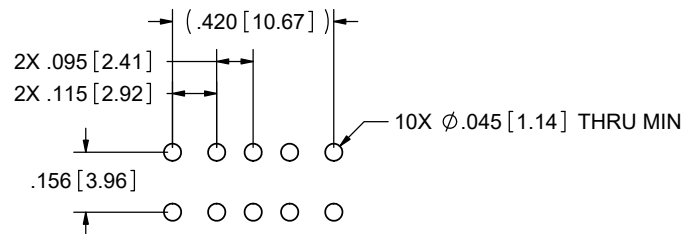
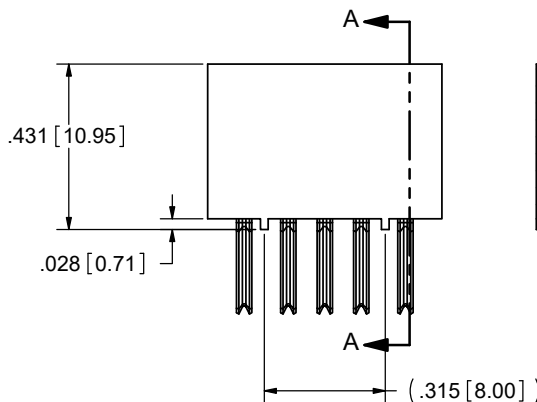
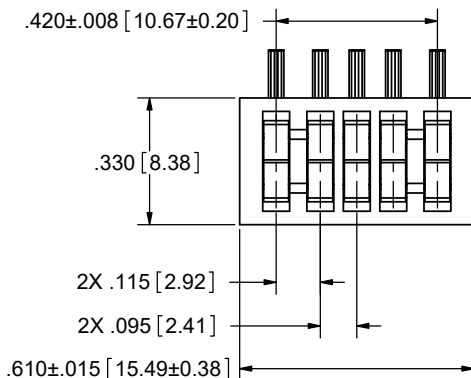
OPERATING TEMP: -65°C TO +200°C

PROCESSING TEMP: 260°C FOR 20 SECS MAX

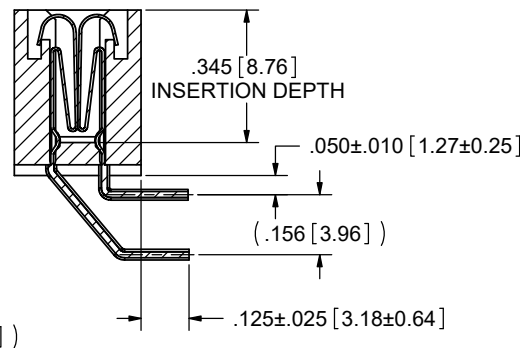
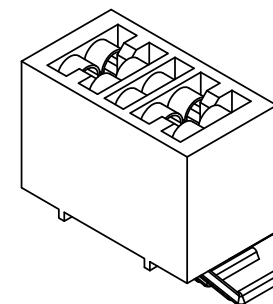
**8= NATURAL BROWN PEEK**

OPERATING TEMP: -65°C TO +250°C

PROCESSING TEMP: 260°C FOR 20 SECS MAX



**FOOT PRINT LAYOUT RECOMMENDED**



**SECTION A-A**

**NOTES:**

1. INSULATOR MATERIAL: SEE PART NUMBER CODING
2. CONTACT MATERIAL: SPINODAL
3. PLATING: .000050" MIN NICKEL UNDERPLATE  
CONTACT SURFACE: .000030" GOLD  
TERMINATION: .000010" GOLD
4. OPERATING TEMPERATURE: SEE PART NUMBER CODING
5. PROCESSING TEMP: SEE PART NUMBER CODING  
(CONSULT FACTORY FOR SPECIAL SOLDERING REQUIREMENT)
6. UL FLAMMABILITY RATING: 94V-0
7. OPERATING VOLTAGE: 700 VAC
8. CURRENT RATING: 6 AMP PER CONTACT PAIR
9. CONTACT RESISTANCE: 30 MILLI OHMS MAX
10. INSULATION RESISTANCE: 5000 MEGA OHMS
11. DURABILITY: 500 CYCLES MIN
12. CONNECTOR IDENTIFICATION: THE PART SHALL BE MARKED WITH A PART NUMBER AND LOT CODE
13. MODIFICATION: SHORTING CONTACTS ALL POSITIONS. RIGHT ANGLE BEND, .156" ROW SPACING, .125" TAIL LENGTH FROM SIDE OF BODY AFTER BEND. CONTACT CENTERS .095"/.115", .345" INSERTION DEPTH

REVISIONS				
REV.	ECO. NO	DESCRIPTION	DATE	BY
B	2094	CORRECTED DIM. (.430 WAS .420) & ADDED FOOT PRINT LAYOUT RECOMMENDED (Ø.045 WAS Ø.043)	12/28/2009	TT
C	2834	ADD '8' MATERIAL OPTION	8/30/2013	JH
D	4368	UPDATE OPERATING TEMP TO 250C FOR MTL CODE '8' (WAS 200C), NOTE 8 (WAS 3A), ADD TOL TO 1ST RA BEND, REF TO RAB ROW SPACING	12/8/2021	JH

**CUSTOMER COPY**



RoHS COMPLIANT

UNLESS OTHERWISE SPECIFIED: DIMENSIONS ARE IN INCHES (MM)		DRAWN	DATE	NAME	
			8/30/13	JH	
TOLERANCES: ANGULAR: ± 1° DECIMALS .XX= ± .02 [5] .XXX= ± .005 [13] .XXXX= ± .0005 [13]					THE INFORMATION HEREIN CONTAINS PROPRIETARY INFORMATION OF SULLINS ELECTRONICS AND IS NOT TO BE REPRODUCED, USED OR DISCLOSED TO OTHERS FOR ANY PURPOSE EXCEPT AS SPECIFICALLY AUTHORIZED IN WRITING BY AN OFFICER OF SULLINS ELECTRONICS.
TITLE TO-220 & TO-247 SOCKET					
PART NUMBER MPP- 100-05-DS-4GR(S1402)					REV D
SIZE C	CAGE CODE 54453	DWG. NO. C11412			SCALE: 4:1
SHEET 1 OF 1					