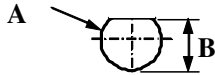
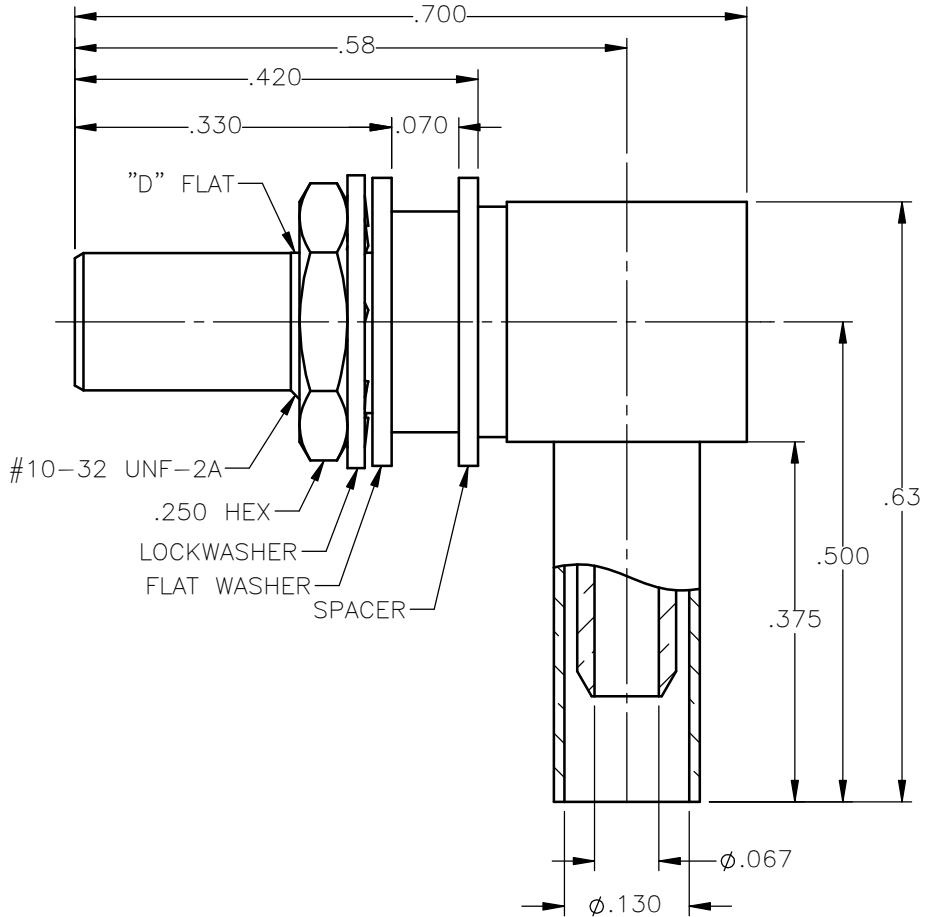


PANEL CUT OUT



inches		
	Maxi	mini
A	.198	.192
B	.183	.177

REVISIONS			
REV.	DESCRIPTION	DATE	APPROVED
A	INITIAL RELEASE	04/19/18	D.N.



NOTES:

MATERIALS:

1. INSULATORS = VIRGIN WHITE TEFLON PER ASTM D1710, GRADE 1, TYPE I, CLASS "B".
2. LOCKWASHER = PHOSPHOR BRONZE PER ASTM B139, COPPER ALLOY C53400, TEMPER H04.
3. CRIMP SLEEVE = SEAMLESS LOWLEAD BRASS TUBE, ALLOY 330, SOFT ANNEAL TEMPER, .025/.060 GRAIN SIZE OR SEAMLESS COPPER TUBE PER ASTM B75, TYPE C12000, TEMPER: LIGHT ANNEAL O50 EXCEPT YIELD STRENGTH.
4. ALL OTHER METAL PARTS = BRASS PER ASTM B16, ALLOY C36000, TEMPER H02.

FINISHES:

1. CONTACT = GOLD PLATE PER ASTM B488-11, TYPE II, 50 μ in MIN, GRADE C, OVER 100 TO 200 μ in STRESS FREE SULFAMATE NICKEL PER AMS-QQ-N-290.
2. ALL OTHER METAL PARTS = GOLD PLATE PER ASTM B488-11, TYPE II, 30 μ in MIN, GRADE C OVER 100 TO 200 μ in COPPER STRIKE PER AMS 2418.

UNLESS OTHERWISE SPECIFIED DIMENSIONS ARE IN INCHES TOLERANCES ON

DWN:	DATE
D.N.	04/19/18
CHKD:	DATE
C.E.	04/19/18
APVD:	DATE
J.M.	04/19/18



Property of Radiall
This document cannot be reproduced or communicated to a third party without prior written permission of RADIALL.



SLB RIGHT ANGLE MALE JACK
BULKHEAD/FLOAT MOUNT
FOR RG-316DS & SIMILAR CABLES

REFERENCE:

MATERIALS & FINISHES:
SEE NOTES

SIZE	FSCM NO.	DWG NO.	REV
A	19505	3106-1521-619	A
SCALE	THIRD ANGLE PROJECTION		SHEET 1 OF 1
5:1			

ORIGINATED: D.N.
DATE: 04/19/18

3106-1521-619