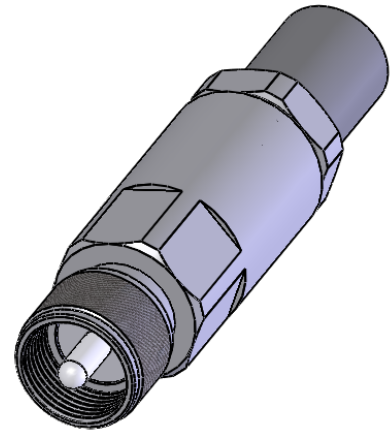
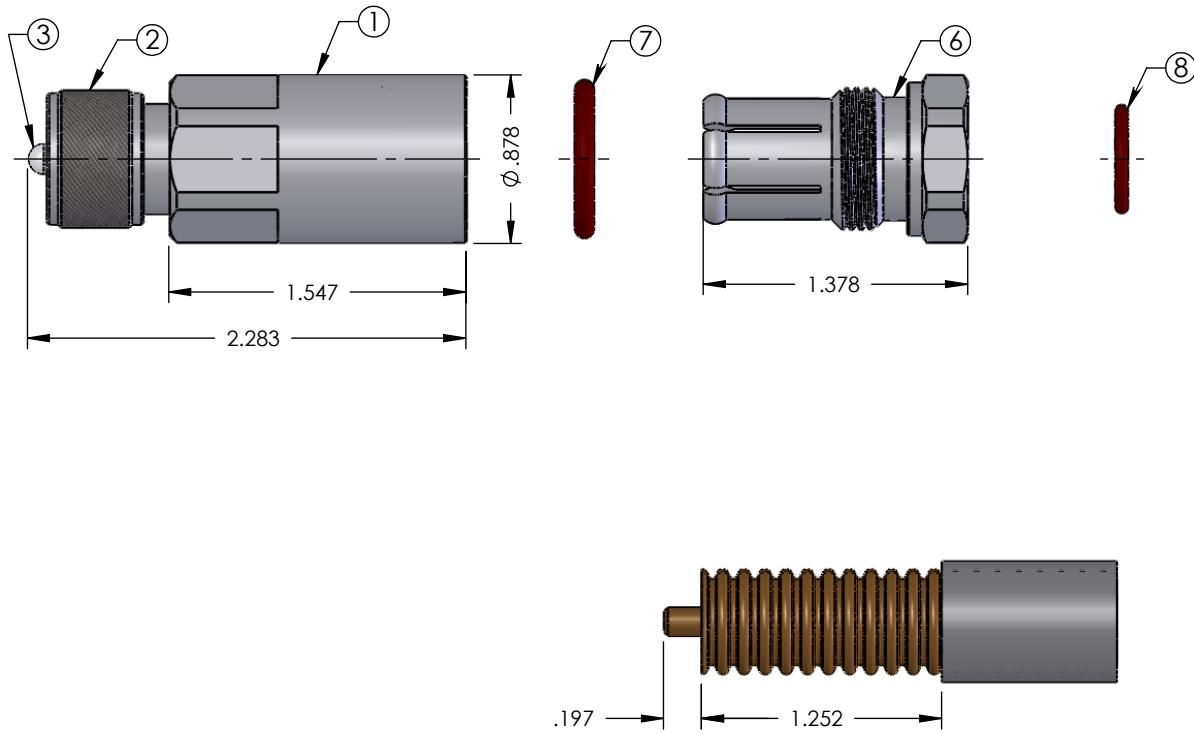


RFU-502-H1

| | | | |
|-----|---------------------|----------|------|
| REV | DESCRIPTION | DATE | APPR |
| - | ENGINEERING RELEASE | 12/08/08 | JDM |



RECOMMENDED STRIPPING DIMENSIONS

SPECIFICATIONS:

IMPEDANCE: NON CONSTANT
 FREQUENCY RANGE: 0-300 MHz
 WORKING VOLTAGE: 500 V rms Max. @ Sea Lev
 FOR ANDREW LDF4-50A & LDF4RN-50A, CELWAVE 810918-001
 CABLEWAVE FLC12-50J & EUPEN 5128 CABLE

NOTE: SILICONE LUBRICATOR INCLUDED (NOT SHOWN)

| # | DESCRIPTION | PART NUMBER | MATERIAL | FINISH | QTY. |
|---|----------------|----------------|-----------------|--------------|------|
| 8 | O-RING | 023-10X-002-LR | SILICONE RUBBER | NONE | 1 |
| 7 | O-RING | 023-10X-001-LR | SILICONE RUBBER | NONE | 1 |
| 6 | SPRING CLAMP | 003-06X-001-BT | Brass | WHITE BRONZE | 1 |
| 5 | RETAINING RING | 027-06M-001-BT | Brass | NONE | 1 |
| 4 | INSULATOR | 010-06X-002-TX | PTFE | NONE | 1 |
| 3 | PIN | 009-06M-011-PS | PHOSPHOR BRONZE | SILVER | 1 |
| 2 | SHELL | 012-06M-001-BT | Brass | WHITE BRONZE | 1 |
| 1 | BODY | 001-06M-001-BT | Brass | WHITE BRONZE | 1 |

| | | | | |
|---------------------------------------|---------|---|--|----------|
| ROHS COMPLIANT | NAME | DATE | RF INDUSTRIES 7610 MIRAMAR RD. SAN DIEGO, CA. 92126 858-549-6340 FAX 858-549-6345 | |
| | DRAWN | C. ZUNIGA | | 12/08/08 |
| | CHECKED | | | |
| UNLESS OTHERWISE SPECIFIED: | | ENG APPR. | TITLE: | |
| DIMENSIONS ARE IN INCHES | | PROPRIETARY AND CONFIDENTIAL | UHF PLUG, CLAMP | |
| ALL DIMENSIO S ARE FOR REFERENCE ONLY | | | | |
| CABLE GROUP H1 | | | | |
| CODE | 008974 | THE INFORMATION CONTAINED IN THIS DRAWING IS THE SOLE PROPERTY OF RF INDUSTRIES. ANY REPRODUCTION IN PART OR AS A WHOLE WITHOUT THE WRITTEN PERMISSION OF RF INDUSTRIES IS STRICTLY PROHIBITED. | SIZE DWG. NO. REV | |
| | | | A RFU-502-H1 - | |
| | | SCALE: NTS | NOTES: SHEET 1 OF 1 | |