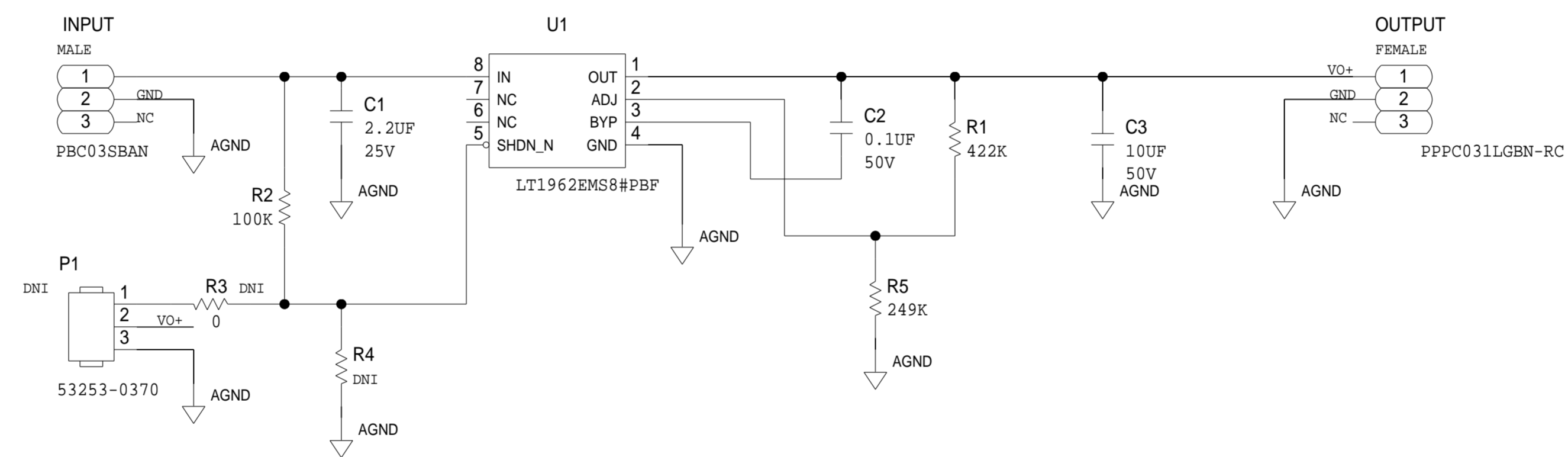




REVISIONS			
REV	DESCRIPTION	DATE	APPROVED

LT1962



	<b>SCHEMATIC</b>		
	HW TYPE : SCP-LT1962 EVAL-Z Product(s) : LT1962 : LT1962		
	DESIGN VIEW <DESIGN_VIEW>	DRAWING NO. 02_051164	REV B
PTD ENGINEER J. VIERNES	SIZE D	SCALE 1:1	SHEET 2 OF 2

THIS DRAWING IS THE PROPERTY OF ANALOG DEVICES INC. IT IS NOT TO BE REPRODUCED OR COPIED IN WHOLE OR IN PART, OR USED IN FURNISHING INFORMATION TO OTHERS, OR FOR ANY OTHER PURPOSE DETRIMENTAL TO THE INTERESTS OF ANALOG DEVICES. THE EQUIPMENT SHOWN HEREON MAY BE PROTECTED BY PATENTS OWNED OR CONTROLLED BY ANALOG DEVICES.