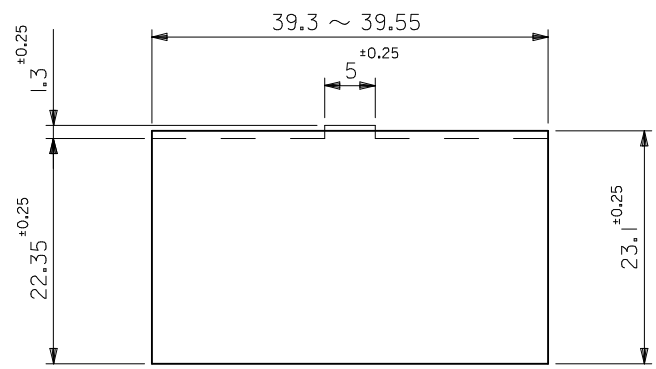
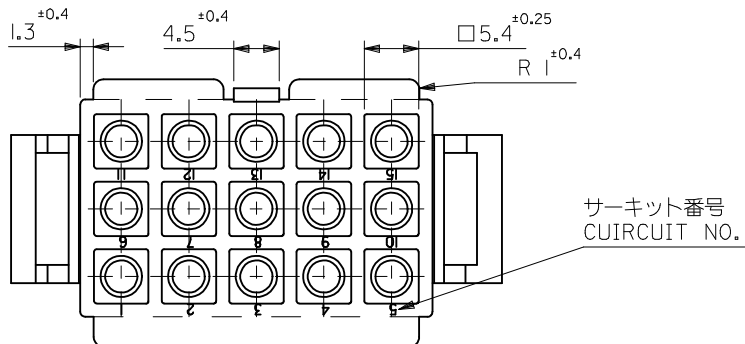
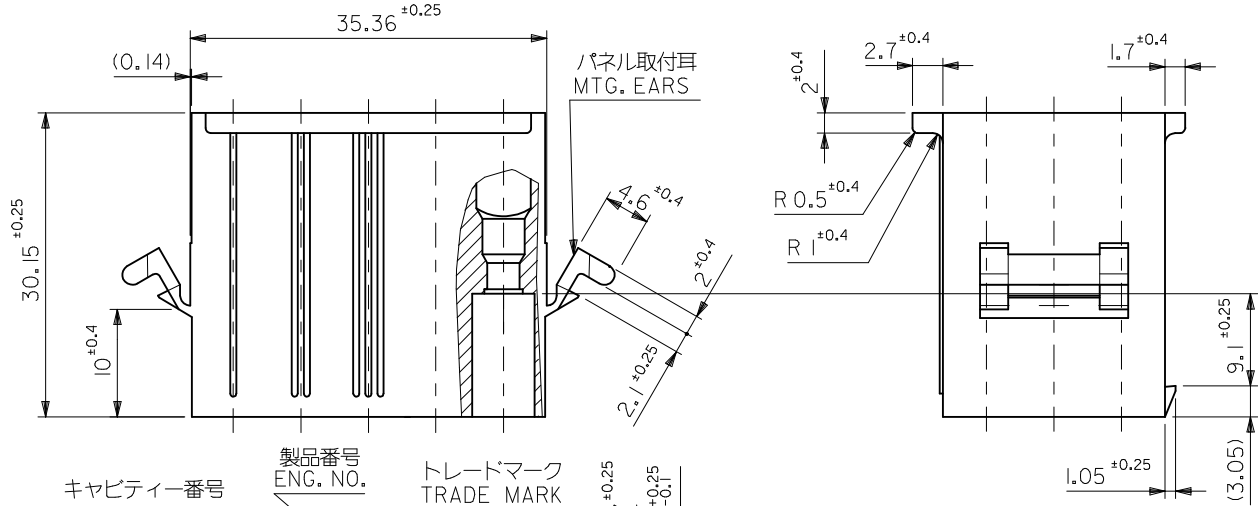


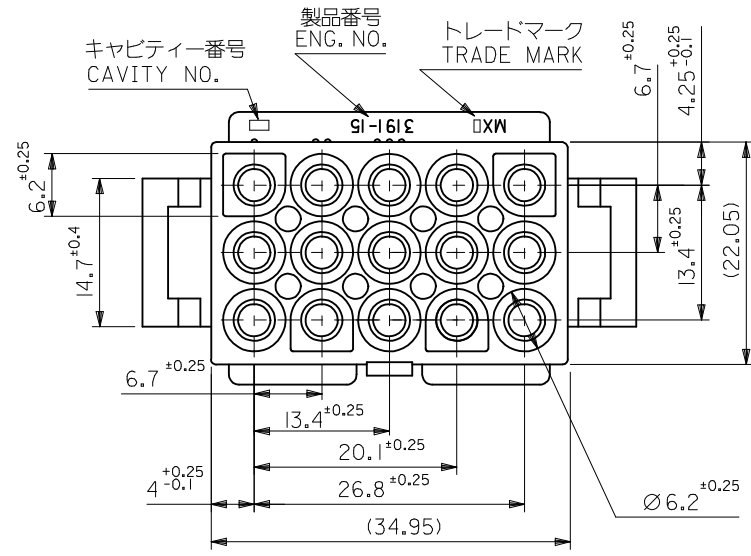
10 9 8 7 6 5 4 3 2 1



パネル取付穴推奨寸法 (厚さ2.0最大)
ハウジングの装着はパネル穴打抜き方向より行うこと
RECOMMENDED PANEL HOLE DIMENSION (THK. 2.0 MAX.)
ATTACH THE HOUSING FROM THE DIRECTION OF
PANEL HOLE PUNCHED OUT.



注記
NOTE
() 内寸法は参考値
DIMENSIONS IN () ARE REFERENCE



39-03-6151	3191-15P-201	NYLON66	94V-0
39-03-6150	3191-15P	NYLON66	94V-2
POLYBAG PACKAGE	モデル番号 MODEL No.	材質 MATERIAL	UL
オーダー番号 ORDER NO.			

REDRAWN EC NO: J2013-0829 DRWN:SSAT002 2013/01/28 CHKD:KASAKAWA 2013/01/31 APPR:YOITO 2013/04/16	GENERAL TOLERANCES (UNLESS SPECIFIED)		DIMENSION STYLE	SCALE	DESIGN UNITS	THIRD ANGLE PROJECTION 15 CKT. PLUG HSG (.093 DIA. TERMINAL) molex SD-3191-024 SHEET NO. 1 OF 1
	10 UNDER ±---		MM ONLY	2:1	METRIC	
	10 OVER 30 UNDER ±---		DRAWN BY DATE	TITLE		
	30 OVER ±---		SSAT002 2013/01/28	SEE CHART		
O	ANGULAR ±---°		CHECKED BY DATE	MATERIAL NO.		
	DRAFT WHERE APPLICABLE MUST REMAIN WITHIN DIMENSIONS		KASAKAWA 2013/01/31	DOCUMENT NO.		
			APPROVED BY DATE	THIS DRAWING CONTAINS INFORMATION THAT IS PROPRIETARY TO MOLEX INCORPORATED AND SHOULD NOT BE USED WITHOUT WRITTEN PERMISSION		
			YOITO 2013/04/16			

9 8 7 6 5 4 3 2