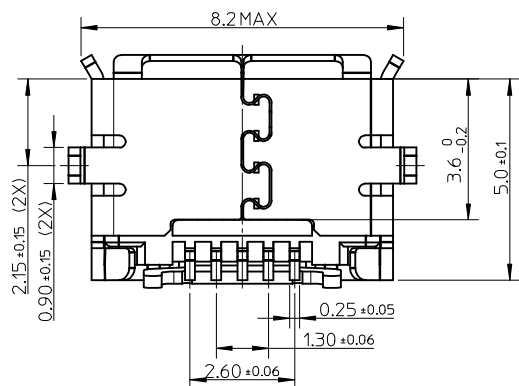


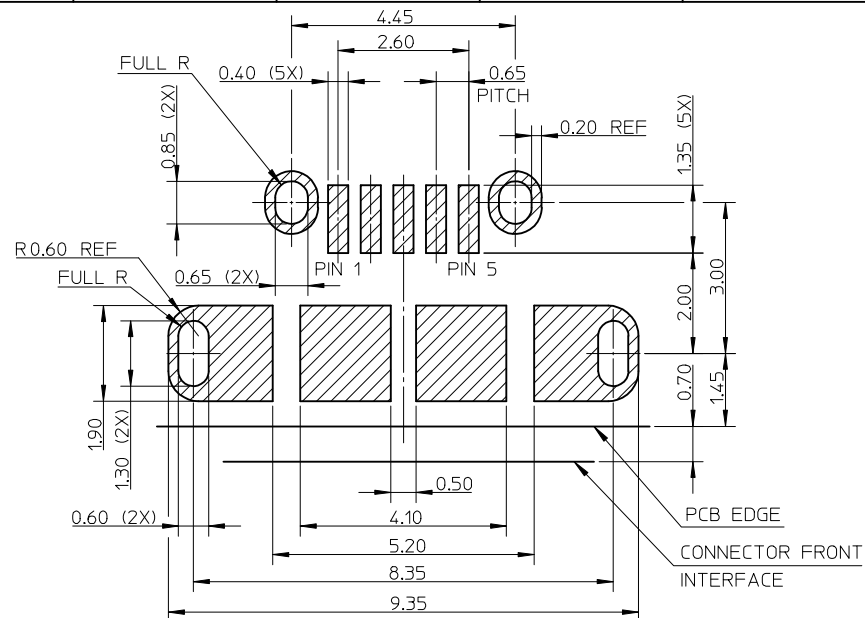
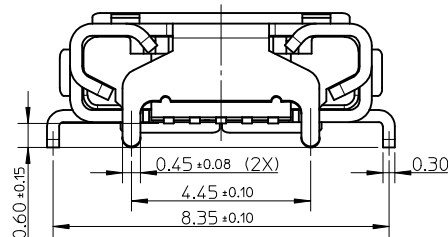
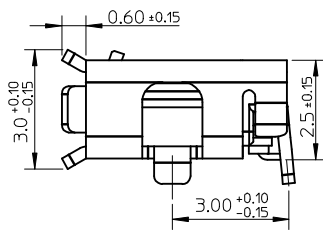
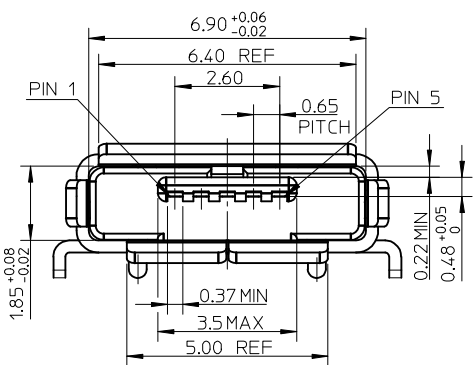
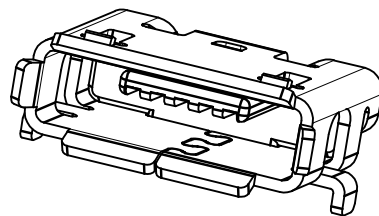
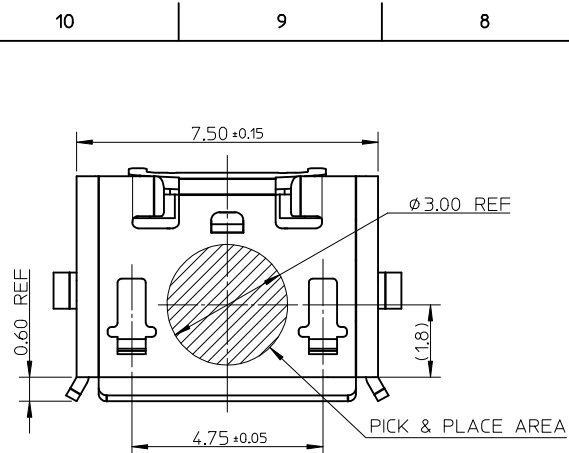
RECOMMENDED P.C.B. PATTERN LAYOUT  
GENERAL TOLERANCE: ±0.05

NOTES:

- MATERIAL:  
HOUSING: LCP, GRAY, UL94V-0;  
TERMINAL: COPPER ALLOY, THICKNESS: 0.15mm;  
SHELL: STAINLESS STEEL, THICKNESS: 0.30mm.
- PLATING:  
TERMINAL: CONTACT AREA: GOLD FLASH (0.11 MICRON MIN.) OVER MINIMUM 0.75 MICRON Pd/Ni.  
SOLDER TAIL AREA: GOLD FLASH (0.05 MICRON MINIMUM).  
UNDER PLATING: NICKEL 2.0 MICROMN MINIMUM.  
SHELL: MATTE TIN 1.27 MICRON MINIMUM.  
UNDER PLATING: NICKEL 1.27 MICRON MINIMUM.
- TAIL COPLANARITY 0.08mm MAXIMUM.
- PRODUCT SPECIFICATION: PS-47589-001.
- PACKAGING SEPCIFICATION: PK-47589-001.
- COMPLIANT TO RoHS DIRECTIVE 2002/95/EC AND ELV 2000/53/EC.



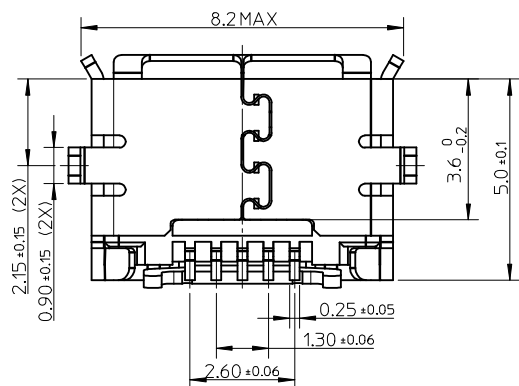
REVISED EC NO: SH2014-0260 DRWN:XOZHANG 2013/12/23 CHKD:XOZHANG 2013/12/23 APPR:AYIN 2014/02/11	QUALITY SYMBOLS F <sub>0</sub> =0 F <sub>0</sub> =0 F <sub>0</sub> =0	GENERAL TOLERANCES (UNLESS SPECIFIED)		DIMENSION STYLE MM ONLY	SCALE 1:1	DESIGN UNITS METRIC	THIRD ANGLE PROJECTION		
		mm	INCH	DRAWN BY XJSONG	DATE 2011/05/17	TITLE MICRO USB AB REC. BOTTOM MOUNT ASS'Y			
REV B	DESCRIPTION	4 PLACES	± ---	± ---	CHECKED BY XJSONG	DATE 2011/05/17	MATERIAL NO. 47589-1001	DOCUMENT NO. SD-47589-101	SHEET NO. 1 OF 1
		3 PLACES	± ---	± ---	APPROVED BY RZHANG	DATE 2011/09/05			
		2 PLACES	± 0.15	± ---	THIS DRAWING CONTAINS INFORMATION THAT IS PROPRIETARY TO MOLEX INCORPORATED AND SHOULD NOT BE USED WITHOUT WRITTEN PERMISSION				
		1 PLACE	± 0.25	± ---					
		0 PLACE	± ---	± ---					
		ANGULAR ± 3 °							
		DRAFT WHERE APPLICABLE MUST REMAIN WITHIN DIMENSIONS							



RECOMMENDED P.C.B. PATTERN LAYOUT  
GENERAL TOLERANCE: ±0.05

NOTES:

- MATERIAL:  
HOUSING: LCP, GRAY, UL94V-0;  
TERMINAL: COPPER ALLOY, THICKNESS: 0.15mm;  
SHELL: STAINLESS STEEL, THICKNESS: 0.30mm.
- PLATING:  
TERMINAL: CONTACT AREA: GOLD FLASH (0.11 MICRON MIN.) OVER MINIMUM 0.75 MICRON Pd/Ni.  
SOLDER TAIL AREA: GOLD FLASH (0.05 MICRON MINIMUM).  
UNDER PLATING: NICKEL 2.0 MICROMN MINIMUM.  
SHELL: MATTE TIN 1.27 MICRON MINIMUM.  
UNDER PLATING: NICKEL 1.27 MICRON MINIMUM.
- TAIL COPLANARITY 0.08mm MAXIMUM.
- PRODUCT SPECIFICATION: PS-47589-001.
- PACKAGING SEPCIFICATION: PK-47589-001.
- COMPLIANT TO RoHS DIRECTIVE 2002/95/EC AND ELV 2000/53/EC.



REVISED EC NO: SH2014-0260 DRWN:XOZHANG 2013/12/23 CHKD:XOZHANG 2013/12/23 APPR:AYIN 2014/02/11	QUALITY SYMBOLS F <sub>0</sub> =0 F <sub>0</sub> =0 F <sub>0</sub> =0	GENERAL TOLERANCES (UNLESS SPECIFIED)		DIMENSION STYLE MM ONLY	SCALE 1:1	DESIGN UNITS METRIC	THIRD ANGLE PROJECTION			
		mm	INCH	DRAWN BY XJSONG	DATE 2011/05/17	TITLE MICRO USB AB REC. BOTTOM MOUNT ASS'Y				
REV B	DESCRIPTION	4 PLACES	± ---	± ---	CHECKED BY XJSONG	DATE 2011/05/17	MATERIAL NO. 47589-1001	DOCUMENT NO. SD-47589-101	SHEET NO. 1 OF 1	
		3 PLACES	± ---	± ---	APPROVED BY RZHANG	DATE 2011/09/05				
		2 PLACES	± 0.15	± ---	THIS DRAWING CONTAINS INFORMATION THAT IS PROPRIETARY TO MOLEX INCORPORATED AND SHOULD NOT BE USED WITHOUT WRITTEN PERMISSION					
		1 PLACE	± 0.25	± ---						
		0 PLACE	± ---	± ---						
		ANGULAR ± 3 °		SIZE A3						
		DRAFT WHERE APPLICABLE MUST REMAIN WITHIN DIMENSIONS								