

MATERIALS AND FINISHES:

BODY: BRASS
PLATED SEE TABLE

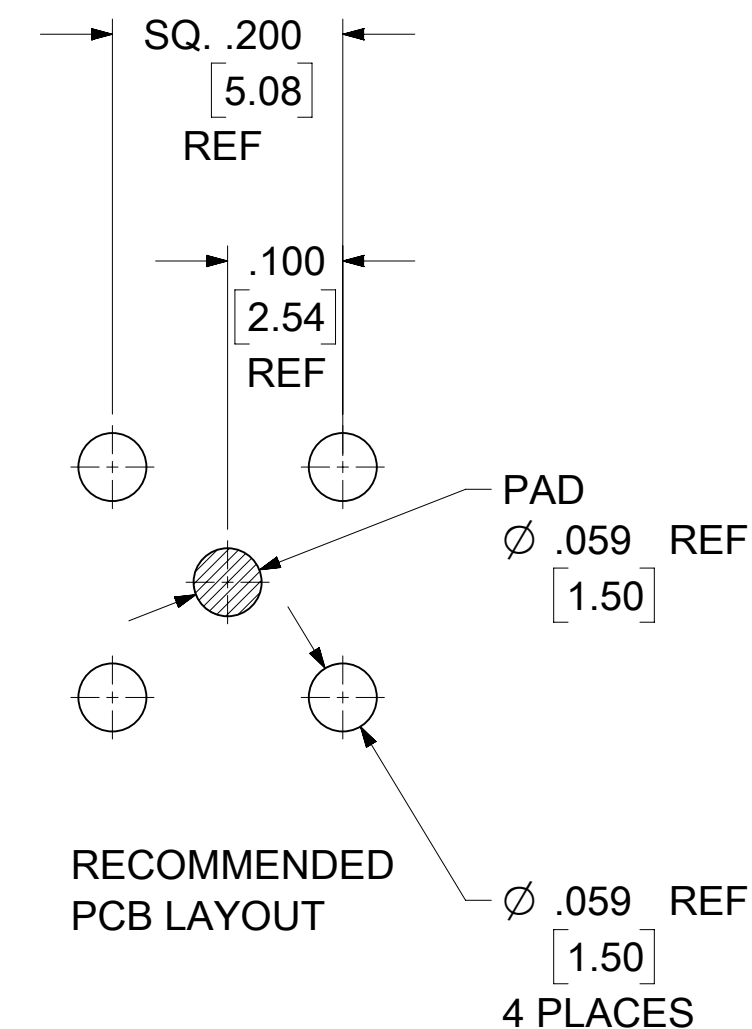
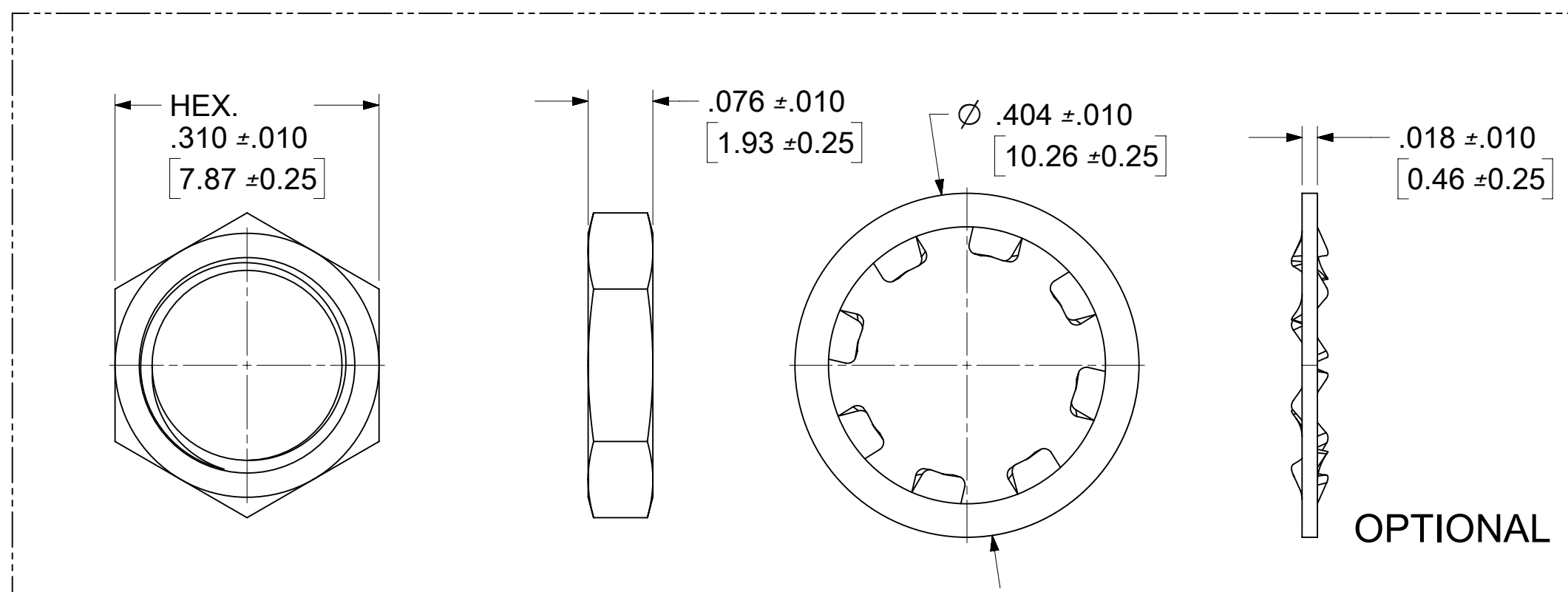
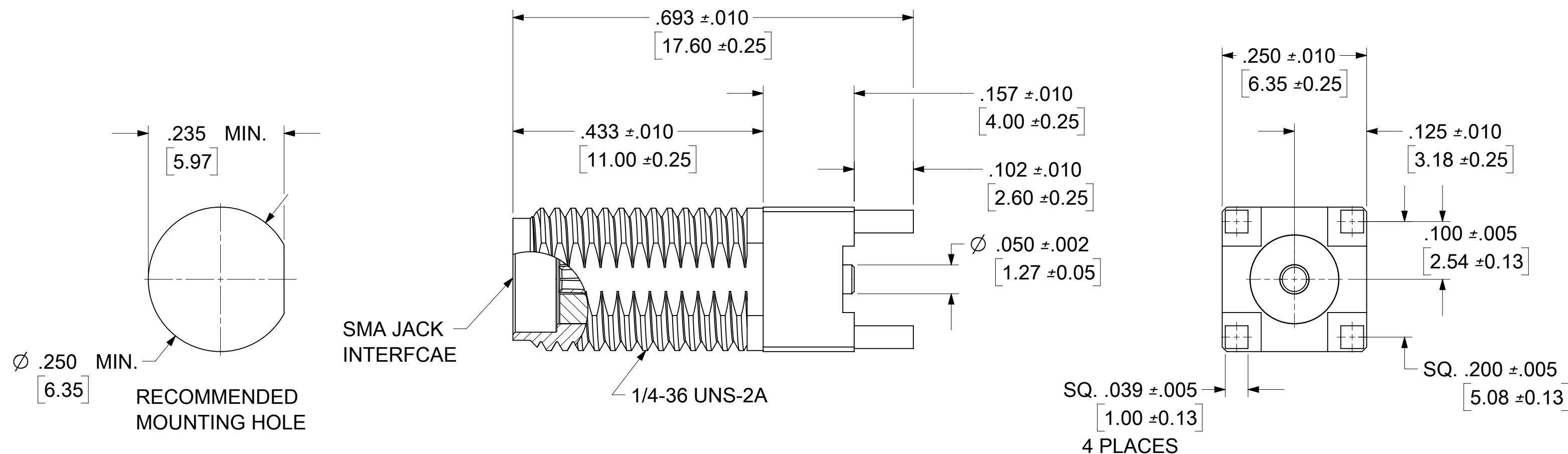
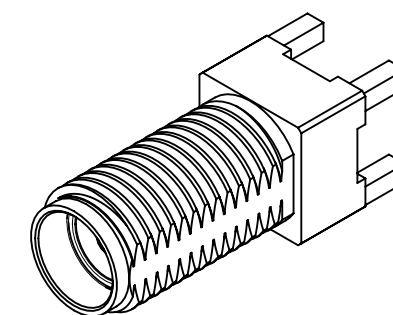
CENTER CONTACT: BERYLLIUM COPPER
PLATED SEE TABLE

INSULATOR: TEFLON

JAM NUT: BRASS
PLATED GOLD 1μ"-3μ"

LOCK WASHER: PHOSPHOR BRONZE
PLATED GOLD 1μ"-3μ"

SPEC NOTE:
VSWR 1.30 MAX. @ DC-12 GHZ



73251-6521	NICKEL 70μ" MIN.	GOLD 5μ" MIN.	OMIT	TRAY PER PK-89542-006
73251-6520	GOLD 1μ"-3μ"	GOLD 10μ" MIN.	YES	
PART NO.	BODY PLATING	CONTACT PLATING	JAM NUT & LOCK WASHER	PACKAGING

PS-89675-346	ELEC/MECH SPECIFICATION
MIL-STD-348A, FIG. 310.2	INTERFACE
SPECIFICATION	DESCRIPTION

FUNCTIONAL SYMBOLS	THIS DRAWING CONTAINS INFORMATION THAT IS PROPRIETARY TO MOLEX ELECTRONIC TECHNOLOGIES, LLC AND SHOULD NOT BE USED WITHOUT WRITTEN PERMISSION			
	DIMENSION UNITS	SCALE	CURRENT REV DESC: ADD 73251-6521 PER EWR14250-A	
$\frac{F}{A} = 0$	IN/MM	NTS		
$\frac{F}{C} = 0$	GENERAL TOLERANCES (UNLESS SPECIFIED)			
$\frac{F}{P} = 0$	ANGULAR TOL ± 2.0°			
DIVISIONAL SYMBOLS	4 PLACES	±	EC NO: 652173	2020/12/23
	3 PLACES	±	DRWN: CWEI02	2021/01/05
	2 PLACES	±	CHK'D: YCHENG	2021/01/05
	1 PLACE	±	APPR: YCHENG	2021/01/05
0 PLACES	±	INITIAL REVISION:	DRWN: RYEH	2014/11/07
DRAFT WHERE APPLICABLE MUST REMAIN WITHIN DIMENSIONS		THIRD ANGLE PROJECTION	APPR: YCHENG	2014/12/01
		DRAWING	SERIES	DOCUMENT NUMBER
		C-SIZE	73251	SD-73251-652
		MATERIAL NUMBER	CUSTOMER	DOC TYPE
		SEE TABLE	GENERAL MARKET	PSD
		SHEET NUMBER		DOC PART
		1 OF 1		001
				REVISION
				A1

molex

SMA JACK STR BKHD RM
PCB TH SIGNAL SMT SMA-J/PCB

PRODUCT CUSTOMER DRAWING

SD-73251-652

PSD 001 A1

SEE TABLE GENERAL MARKET 1 OF 1