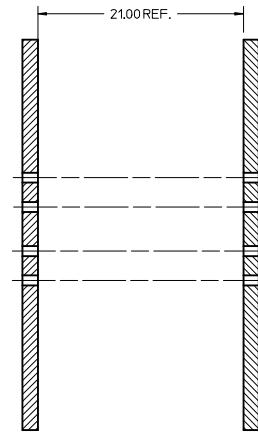
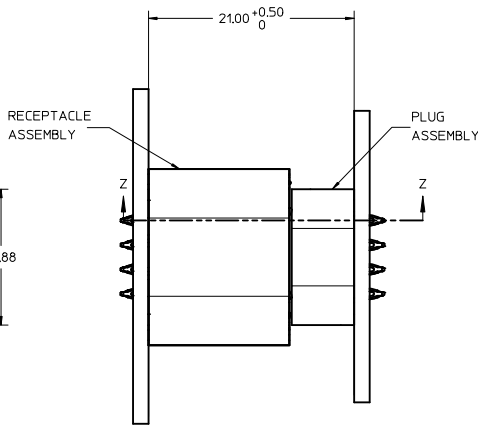
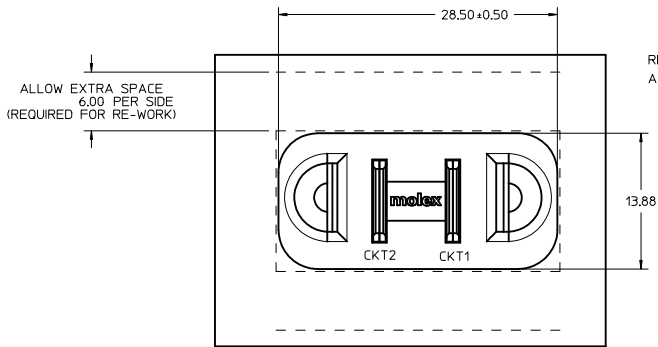
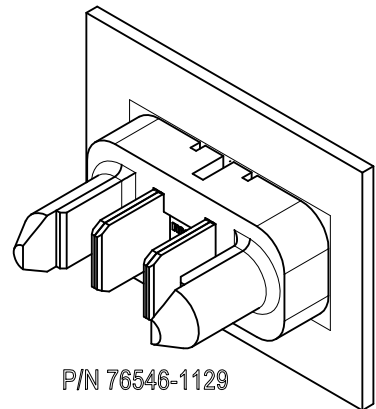
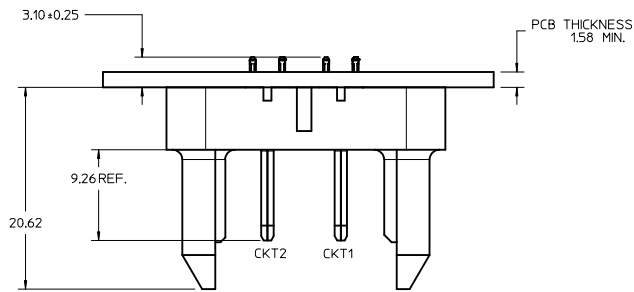


RECOMMENDED PCB LAYOUT AND KEEP-OUT ZONE

NOTES:

1. MATERIAL:
 - HOUSINGS: LCP-UL94 V-0, COLOR: BLACK.
 - TERMINALS: COPPER ALLOY.
 - PLATING: 0.000127 NICKEL OVERALL WITH 0.00254 SELECTIVE MATTE TIN ON COMPLIANT PINS, AND 0.000762 SELECTIVE GOLD ON CONTACT AREA.
2. PACKAGING ASSEMBLIES TO BE TRAY PACKED, STD. QUANTITY: TBD.
3. PC BOARD REQUIRES THRU HOLES. REFER TO PS-46436-100 FOR DETAILS.
4. PRODUCT SPEC.: PS-46436-100.
5. APPLICATION SPEC.: AS-46436-100.
6. SEE PRODUCT SPEC FOR MEET RoHS REQUIREMENTS.
7. ASSEMBLY MATES WITH MOLEX VERTICAL RECEPTACLE ASSEMBLY, P/N 46562-1129.

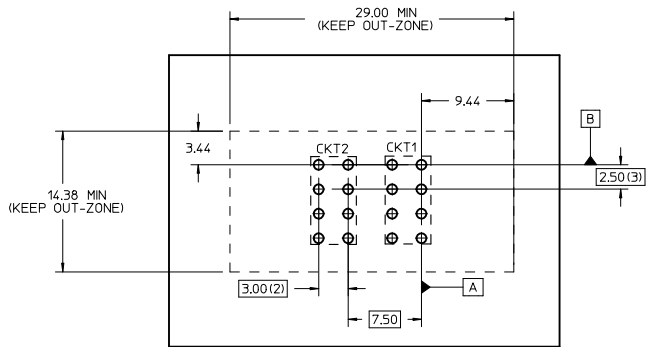
PRELIMINARY IEC NO: UCF2010-2269 DRAWN BY: MKARADIMAS 2010/03/25 CHECKED BY: CHYKROKOSTIC 2010/03/25 APPR: APATEL 2010/04/29	QUALITY SYMBOLS	GENERAL TOLERANCES (UNLESS SPECIFIED)	DIMENSION STYLE	SCALE	DESIGN UNITS	THIRD ANGLE PROJECTION
	▽=0	mm INCH	MM ONLY	4:1	METRIC	☉
	▽=0	4 PLACES ± --- ± ---	DATE	DATE	TITLE	VERTICAL PLUG ASSY 2 AC, PRESS -FIT TEN60 FAMILY
	▽=0	3 PLACES ± --- ± ---	2010/03/25	2010/03/25	MOLEX INCORPORATED	
	ANGULAR ±1/2°	DRAFT WHERE APPLICABLE MUST REMAIN WITHIN DIMENSIONS	APATEL 2010/04/29	MATERIAL NO.	DOCUMENT NO.	SHEET NO.
				76546-1129	SD-76546-1129	1 OF 1



SECTION Z-Z

NOTES:

- MATERIAL:
 - HOUSINGS: LCP-UL94 V-0, COLOR: BLACK.
 - TERMINALS: COPPER ALLOY.
 - PLATING: 0.000127 NICKEL OVERALL WITH 0.00254 SELECTIVE MATTE TIN ON COMPLIANT PINS, AND 0.000762 SELECTIVE GOLD ON CONTACT AREA.
- PACKAGING ASSEMBLIES TO BE TRAY PACKED, STD. QUANTITY: TBD.
- PC BOARD REQUIRES THRU HOLES. REFER TO PS-46436-100 FOR DETAILS.
- PRODUCT SPEC.: PS-46436-100.
- APPLICATION SPEC.: AS-46436-100.
- SEE PRODUCT SPEC FOR MEET RoHS REQUIREMENTS.
- ASSEMBLY MATES WITH MOLEX VERTICAL RECEPTACLE ASSEMBLY, P/N 46562-1129.



RECOMMENDED PCB LAYOUT AND KEEP-OUT ZONE

PRELIMINARY IEC NO: UCF2010-2269 DRAWN BY: MKARADIMAS 2010/03/25 CHECKED BY: CHYKBKOSTIC 2010/03/25 APPR: APATEL 2010/04/29	QUALITY SYMBOLS	GENERAL TOLERANCES (UNLESS SPECIFIED)	DIMENSION STYLE	SCALE	DESIGN UNITS	THIRD ANGLE PROJECTION
	▽=0	mm INCH	MM ONLY	4:1	METRIC	☉
	▽=0	4 PLACES ± --- ± ---	DATE	DATE	TITLE	
	▽=0	3 PLACES ± --- ± ---	DATE	DATE	VERTICAL PLUG ASSY 2 AC, PRESS -FIT TEN60 FAMILY	
	ANGULAR ±1/2°	DRAFT WHERE APPLICABLE MUST REMAIN WITHIN DIMENSIONS	APATEL 2010/04/29	DATE	MOLEX INCORPORATED	
			MATERIAL NO.	DOCUMENT NO.	SHEET NO.	
			76546-1129	SD-76546-1129	1 OF 1	
			THIS DRAWING CONTAINS INFORMATION THAT IS PROPRIETARY TO MOLEX INCORPORATED AND SHOULD NOT BE USED WITHOUT WRITTEN PERMISSION			