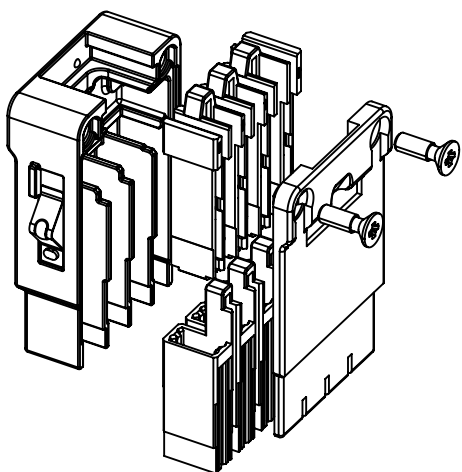



wiring acc. EIA/TIA 568A
view from termination side

green	2 ●	● 1	green/white
orange	6 ●	● 3	orange/white
blue	4 ●	● 5	blue/white
brown	8 ●	● 7	brown/white



Kind of delivery: piece parts

	All rights reserved Department EL PD - DE	All Dimensions in mm Original Size DIN A4		Scale 2:1	Free size tol.	Ref. Sub.	
		Created by RULLKOETTER	Inspected by GERB	Standardisation RUETERA	Date 2018-07-24	State Final Release	
HARTING Electric GmbH & Co. KG D-32339 Espelkamp		Title Han Gigabit HMC insert fem. (shield-GND)				Doc-Key / ECM-Nr. 100642780/UGD/008/B 500000137874	
		Type TB	Number 09 14 208 3112			Rev. B	Page 1/1