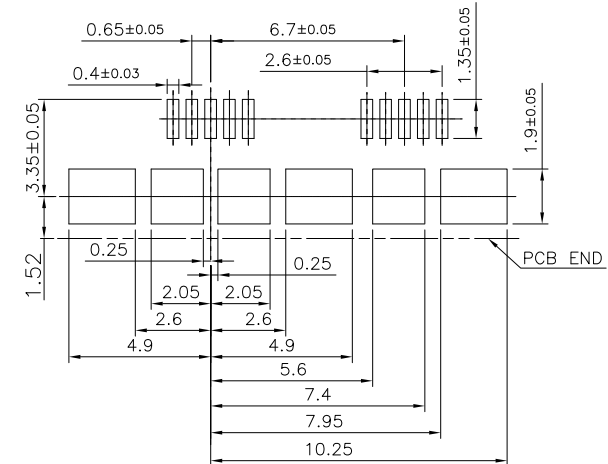


Section A-A

Specifications:  
 1.8A for VBUS and GND Contacts  
 0.25A for all other Contacts  
 Contact resistance:30mohm max.  
 Insulation resistance:100Mohm min.  
 Withstanding Voltage:100V R.M.S  
 Operating Temperature:-40°C ~ +105°C

Material and Finish  
 Insulator:LCP(UL94V-0)  
 Insulator Color:Black  
 Contact:Phosphor Bronze  
 Plated:15u" Gold Plated on Contact Area,  
 Tin Plated on Solder Tail.  
 Shell:Brass, Nickel Plated



Recommended P.C.B Layout

RoHS Compliant

				DRAWN:	GENERAL TOLERANCE: .X=±0.3 .XX=±0.25 .XXX=±0.10	<h1 style="color: red; text-align: center;">CnC Tech</h1> <p style="text-align: center;">Industrial Cable and Connector Technology</p>		
				CHECKED:				UNIT: MM
					SCALE:1:1	MICRO USB 3.0 AB TYPE SMD,15u"		A4
				APPROVAL:	SHEET: 1 / 2			
REV	DATE	FILE	BY		PROJECTION:	1003-005-23100-TR		

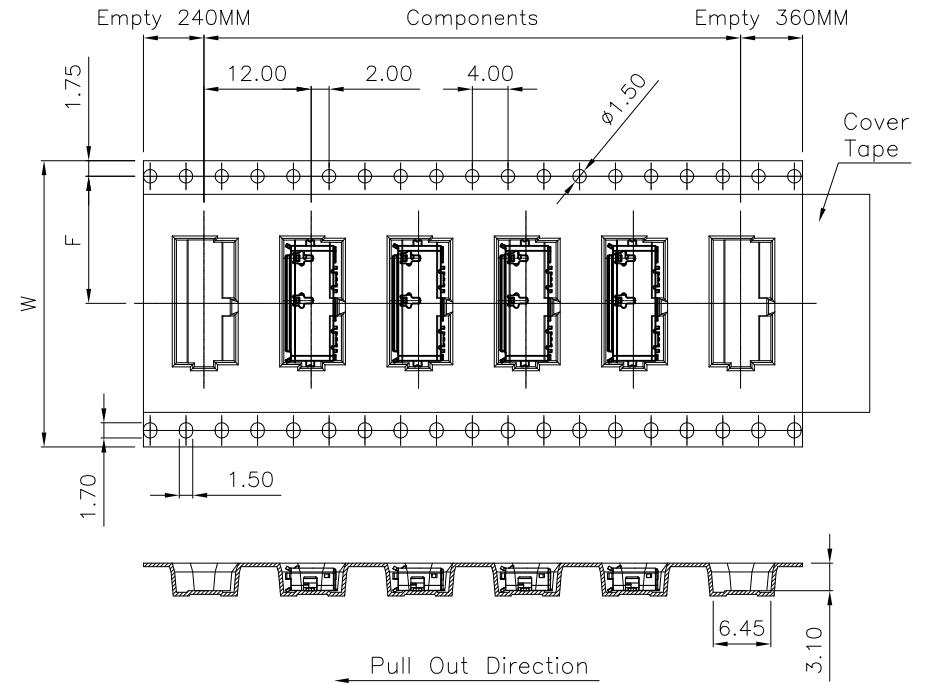
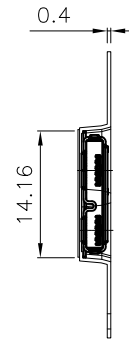
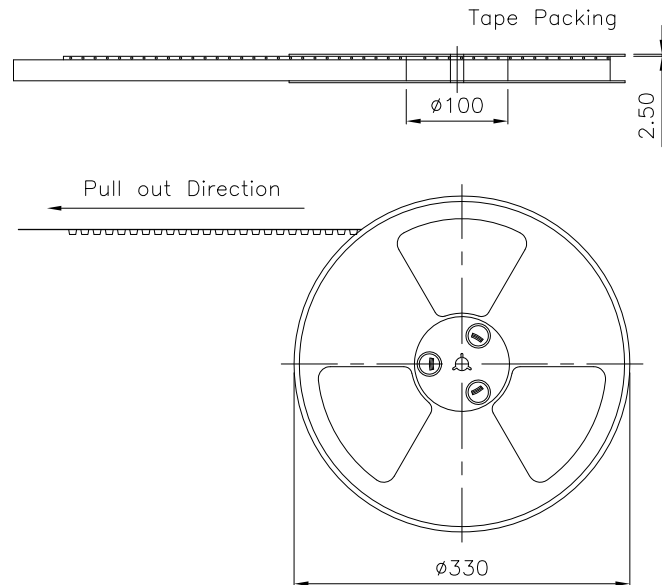
1

2

3

4

5



Pin No	W	F	PCS/R	R/CTN	Q'TY
10	32	14.2	1,500	10	15,000

Note:

- 1.All dimensions meet EIA-481-3 Requirements.
- 2.Material:PS Transparent Polystyrene
- 3.Thickness:0.40±0.05mm
- 4.Component load per 13" reel:1500Pcs.
- 5.Carton Size:340\*340\*205(mm)

RoHS Compliant

				DRAWN:	GENERAL TOLERANCE: .X=±0.20 .XX=±0.15	<b>CnC Tech</b> Industrial Cable and Connector Technology	DESCRIPTION: <b>MICRO USB 3.0 AB TYPE SMD,15u"</b>	SIZE <b>A4</b>
				CHECKED:	UNIT: MM SCALE:1:1			
				APPROVAL:	SHEET: 2 / 2	PART NO:	1003-005-23100-TR	
REV	DATE	FILE	BY		PROJECTION:			