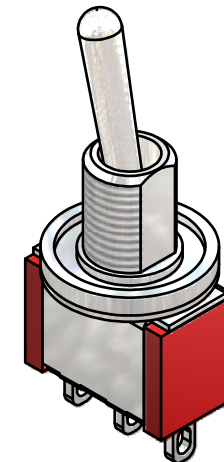
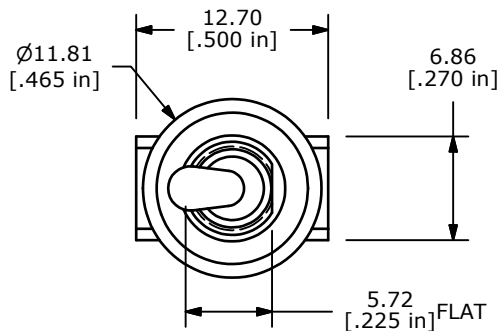
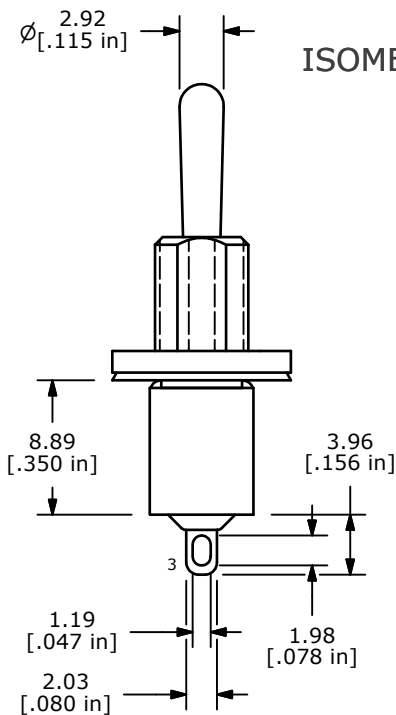


PANEL MOUNTING  
WITH STANDARD LOCKING RING

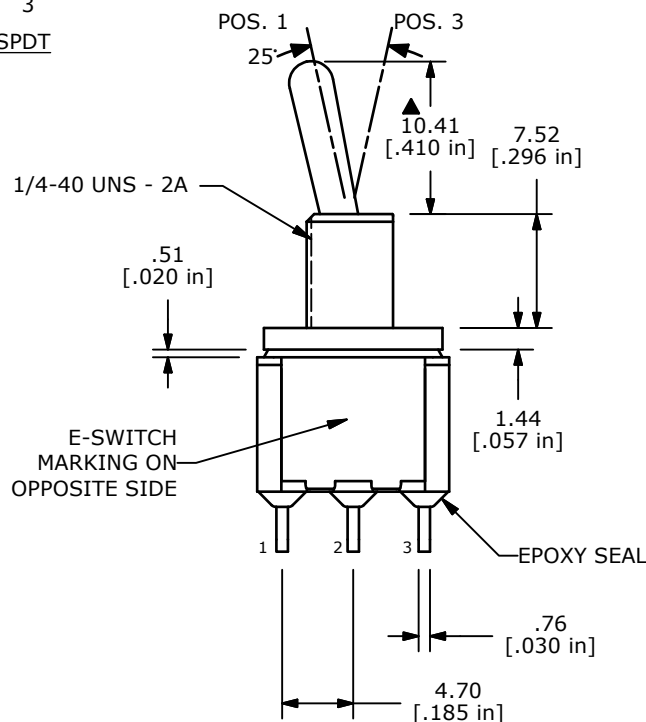
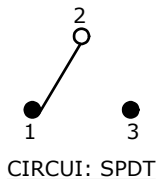


ISOMETRIC



SWITCH FUNCTION		
POS. 1	POS. 2	POS. 3
ON	NONE	(ON)
2-3	N/A	2-1

( ) = MOMENTARY



NOTE:

- ALL DIMENSIONS IN MM [INCH]
- GENERAL TOLERANCE: X.X=±0.4  
X.XX=±0.25
- TERMINAL NUMBERS FOR REF ONLY
- ▲ PLATING MATERIAL: SILVER
- RATING: 5A @ 120VAC OR 28VDC  
2A @ 250VAC
- ELECTRIC LIFE: 40,000 make-and-break cycles at full load.
- INSULATION RESISTANCE: 1,000 Mega-ohm min.
- DIELECTRIC STRENGTH: 1,000 V RMS @sea level.
- OPERATING TEMP.: -30°C to 85°C
- ▲ DENOTES CRITICAL PARAMETER.
- 2002/95/EC (ROHS) COMPLIANT
- ▲ 12. HARDWARE TO BE SHIPPED BULK:  
T100011 - LOCK WASHER (1)  
T100002 - LOCK RING (1)  
T100000 - HEX NUT (2)  
T100016 - "O" RING (1)



A	20028	RELEASED FOR PRODUCTION	6/23/11	BGL
REV	PCR NO	DESCRIPTION	DATE	BY

TITLE 100SP2T1B9M1QEH				
SCALE 2:1	DATE 6/23/2011	DR BGL	DWG ST112005	REV A

THE INFORMATION CONTAINED IN THIS DOCUMENT IS PROPRIETARY TO E-SWITCH AND IS NOT TO BE COPIED OR TRANSFERRED