

MATERIAL NUMBER	OLD PART NUMBER	FINISHED LENGTH
1300300090	485031D12M010	1M
1300300103	485031D12M020	2M

CABLE LENGTH TOLERANCES

>.3M [1FT]: +19mm-0 [+1.75in-0]

.3 - .9M [1 - 3FT]: +44.5mm-0 [+1.75in-0]

.9 - 1.8M [3 - 6FT]: +55.6mm-0 [+2.19in-0]

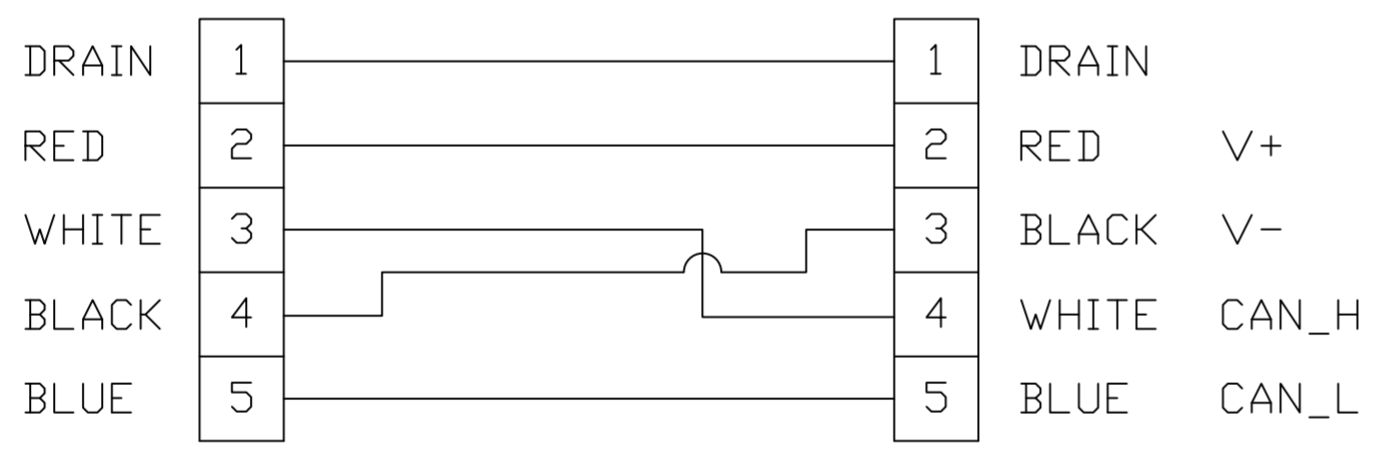
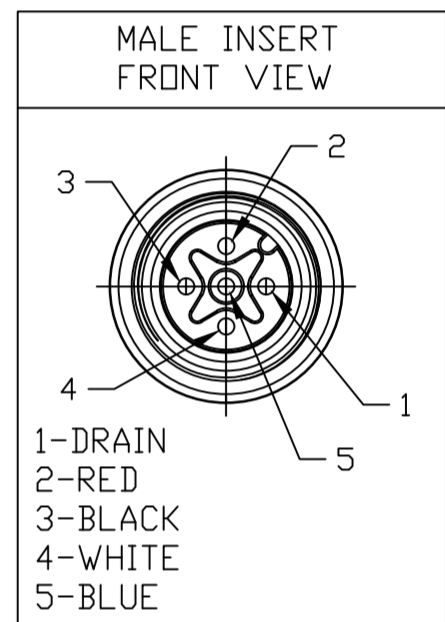
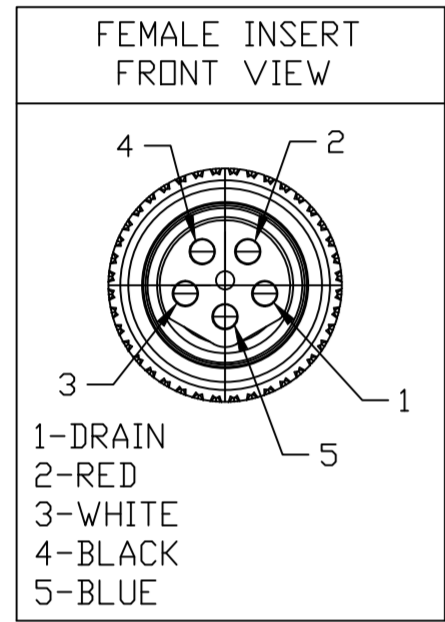
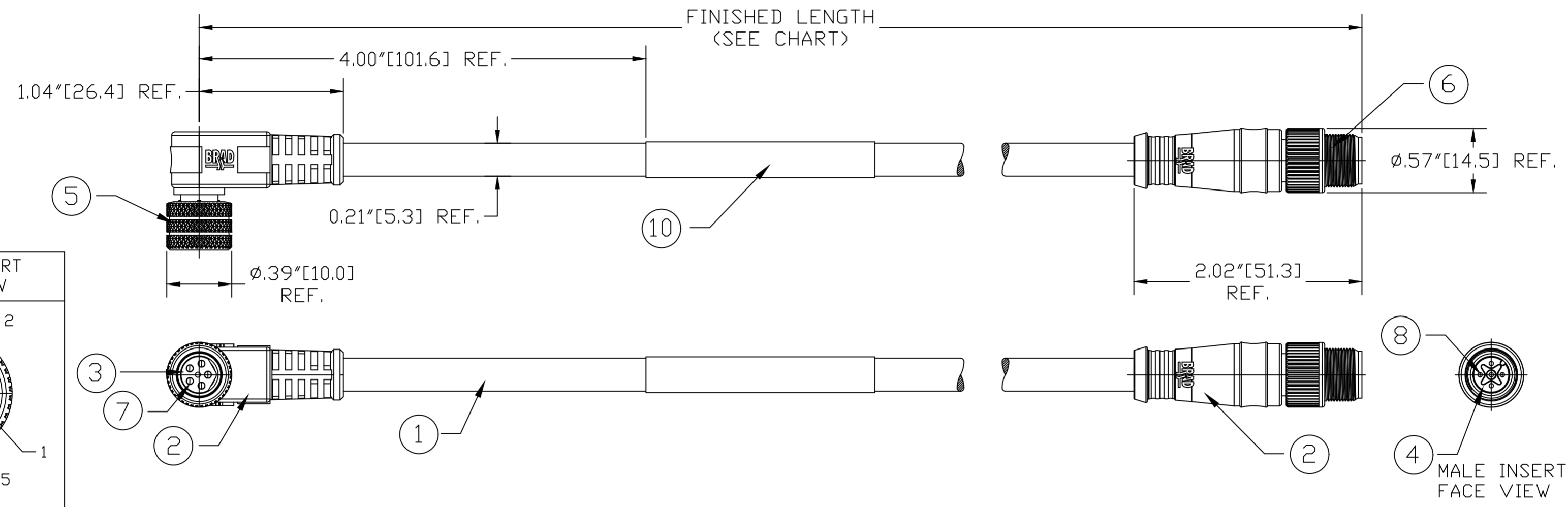
1.8 - 3.7M [6 - 12FT]: +88.9mm-0 [+3.50in-0]

3.7 - 7.3M [12 - 24FT]: +165.1mm-0 [+6.50in-0]

7.3-14.6M [24 - 48FT]: +317.5mm-0 [+12.50in-0]

14.6 - 30.5M [48-100FT]: +622.3mm-0 [+24.50in-0]

OVER 30M [100FT] +2% OF FINISHED LENGTH



485031D12M010

Wire type
#26 AWG
Gray PVC

cable length
M020----2 Meter
M100----10 Meter

- NOTES:**
- MATERIAL: AS NOTED
 - FINISH: AS NOTED
 - ELECTRICAL:
VOLTAGE: 60 VAC/ 75 VDC
CURRENT: 1.68A
 - TEMP RATING: -20°C TO 80°C
 - PROTECTION: IP67 (WHEN MATED)
 - COUPLING THREAD: M12 X 1
 - ALL DIMS ARE FOR REFERENCE UNLESS TOLERANCED OR NOTED OTHERWISE

ITEM	DESCRIPTION	MATERIAL	FINISH
10	WRAP ID LABEL	VINYL	BLACK/YELLOW
9	O-RING	VITON	RED
8	MALE PIN CONTACT	COPPER ALLOY	GOLD PLATED
7	FEMALE SOCKET CONTACT	COPPER ALLOY	GOLD PLATED
6	MALE COUPLING NUT	BRASS	NICKEL PLATED
5	FEMALE COUPLING NUT	BRASS	NICKEL PLATED
4	MALE INSERT	PUR	BLACK
3	FEMALE INSERT	PUR	BLACK
2	OVERMOLD	TPC	GRAY
1	CABLE 4-TPR 26AWG CORD	PVC	GRAY

SYMBOLS DIMENSION UNITS: INCH/MM SCALE: 1:1 GENERAL TOLERANCES (UNLESS SPECIFIED): 4 PLACES ±---- ±---- 3 PLACES ±---- ±0.005 2 PLACES ±0.13 ±0.01 1 PLACE ±0.25 ±0.02 0 PLACES ±---- ±---- ANGULAR TOL ± 0.5 ° DRAFT WHERE APPLICABLE MUST REMAIN WITHIN DIMENSIONS	THIS DRAWING CONTAINS INFORMATION THAT IS PROPRIETARY TO MOLEX ELECTRONIC TECHNOLOGIES, LLC AND SHOULD NOT BE USED WITHOUT WRITTEN PERMISSION CURRENT REV DESC: ADDED NEW P/N AND UPDATED DRAWING TO MATCH CURRENT MOLEX FORMAT EC NO: 629783 DRWN: ALEON01 2019/12/23 CHK'D: MZIELINSKI 2020/01/02 APPR: BWOODMAN 2020/01/03 INITIAL REVISION: DRWN: EBRACKEN 2013/06/25 APPR: BWOODMAN 2013/08/14 THIRD ANGLE PROJECTION DRAWING SERIES: C-SIZE 130030	 MIC/NC ASSEMBLY 5 POLE M/MFE ST/90 #26 DROP CABLE 4-TPR PRODUCT CUSTOMER DRAWING DOCUMENT NUMBER: SD-130030-006 DOC TYPE: PSD DOC PART: 001 REVISION: B MATERIAL NUMBER: GENERAL MARKET CUSTOMER: GENERAL MARKET SHEET NUMBER: 1 OF 1
	DOCUMENT STATUS: P1 RELEASE DATE: 2020/01/03 17:23:16	FORMATTING: IN ACAD 99-0000 REVISION: A1 DATE: 2019/08/12