

## Cable connector - RC-06S1N128049 - 1593732

Please be informed that the data shown in this PDF Document is generated from our Online Catalog. Please find the complete data in the user's documentation. Our General Terms of Use for Downloads are valid (<http://phoenixcontact.com/download>)




Cable connector, straight, shielded: yes, Screw locking, M23, No. of pos.: 6, type of contact: Socket, Solder connection, cable diameter range: 6.5 mm ... 7.5 mm

The figure shows the 12-pos. product version



### Key Commercial Data

Packing unit	20 pc
GTIN	 4 046356 197793
GTIN	4046356197793

### Technical data

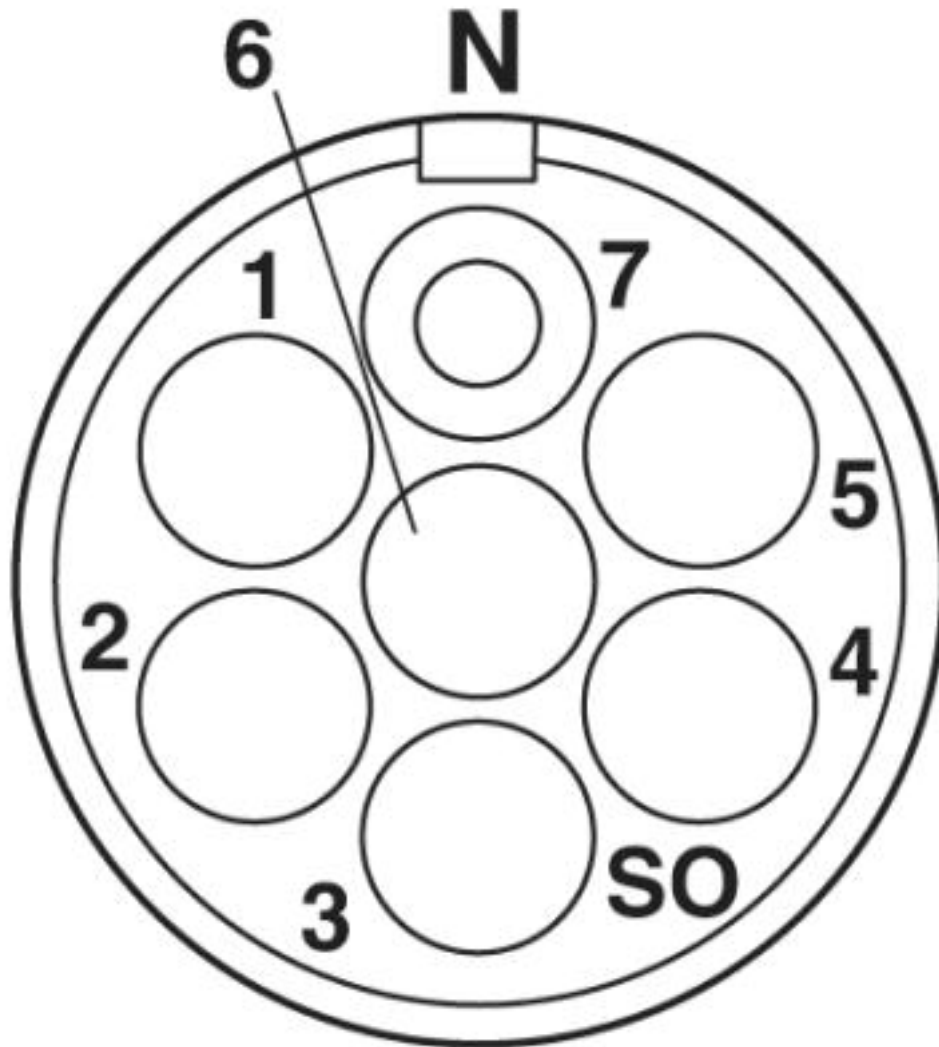
#### Environmental Product Compliance

China RoHS	Environmentally Friendly Use Period = 50
	For details about hazardous substances go to tab "Downloads", Category "Manufacturer's declaration"

### Drawings

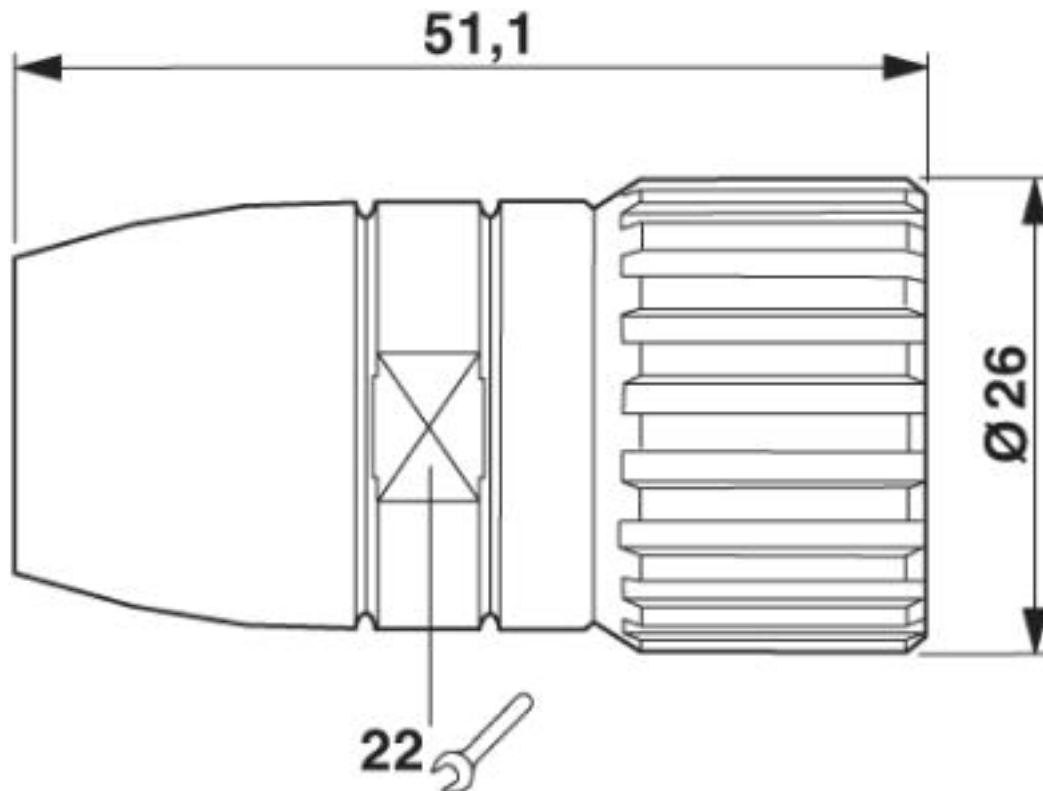
# Cable connector - RC-06S1N128049 - 1593732

Schematic diagram



## Cable connector - RC-06S1N128049 - 1593732

Dimensional drawing



Phoenix Contact 2019 © - all rights reserved  
<http://www.phoenixcontact.com>

PHOENIX CONTACT GmbH & Co. KG  
Flachsmarktstr. 8  
32825 Blomberg  
Germany  
Tel. +49 5235 300  
Fax +49 5235 3 41200  
<http://www.phoenixcontact.com>