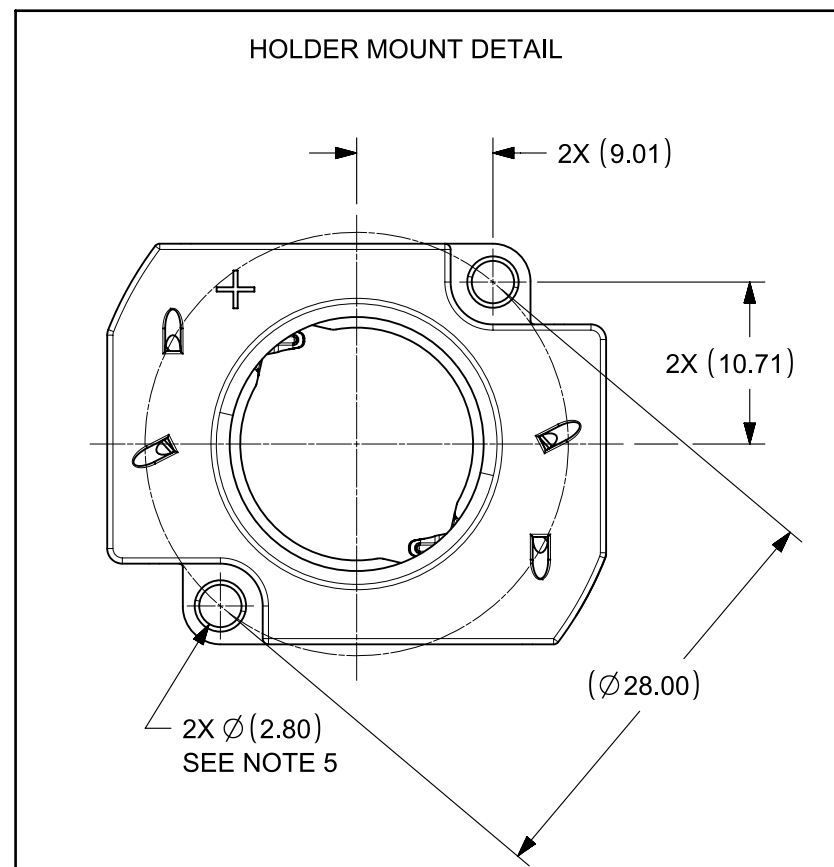
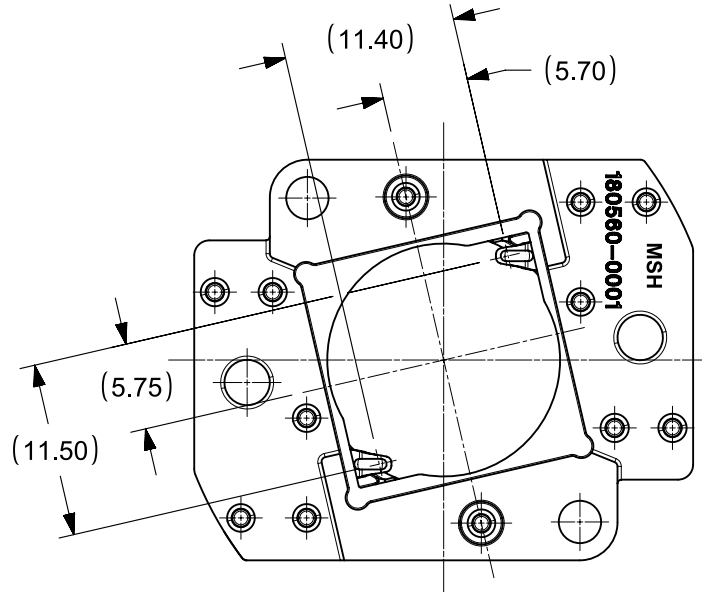
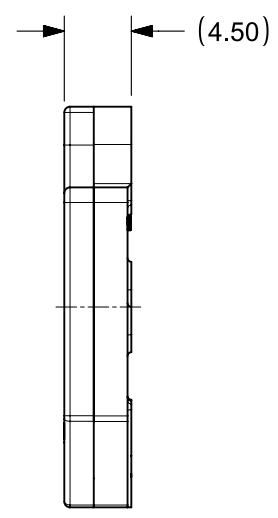
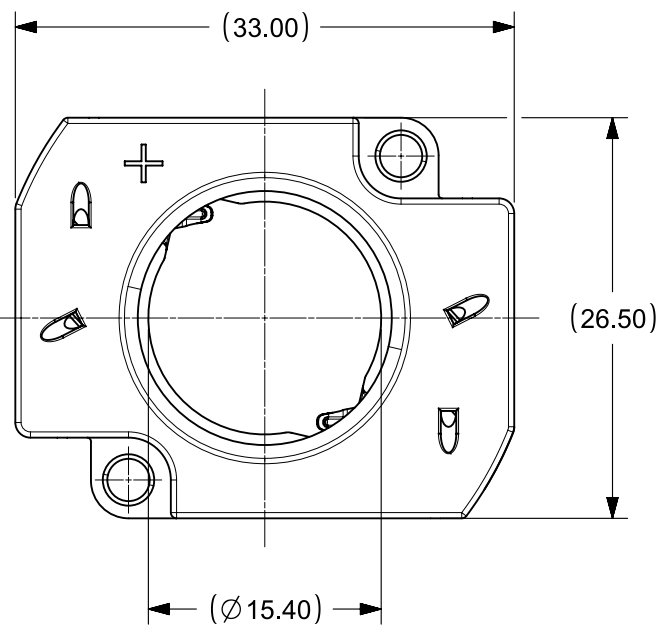
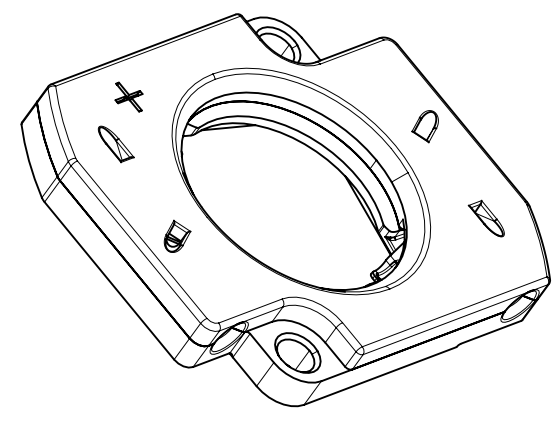


9	8	7	6	5	4	3	2	1
PART NUMBER	DESCRIPTION	MATERIAL	COLOR					
180560-0001	LED HOLDER - PBT	POLYESTER, GLASS FILLED	WHITE					



180560-0001



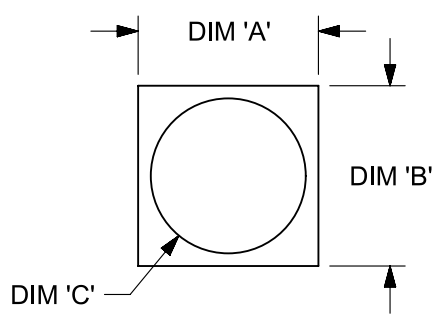
- NOTES:
- 1) MATERIALS: SEE CHART.
  - 2) WIRE TRAP TERMINALS: COPPER ALLOY.
    - a. FINISH: SELECTIVE GOLD OVER NICKEL.
  - 3) THIS PRODUCT IS ELV AND ROHS COMPLIANT.
  - 4) APPLICABLE WIRE GAUGE - 18 OR 22 AWG
    - a. SOLID WIRE IS RECOMMENDED.
    - b. IF STRANDED WIRE IS USED, PRE-TINNED IS RECOMMENDED.
    - c. 11.0mm±1.0mm STRIP LENGTH IS RECOMMENDED.
  - 5) MOUNT HOLDER USING M2.5 SCREWS (2); 0.40 MIN - 0.80 MAX NEWTON METERS TORQUE.
  - 6) ALL DIMENSIONS IN PARENTHESES "(X.XX)" ARE FOR REFERENCE ONLY.
  - 7) UL:OLFB2 UL496 FILE: E345583.

THIS DRAWING CONTAINS INFORMATION THAT IS PROPRIETARY TO MOLEX ELECTRONIC TECHNOLOGIES, LLC AND SHOULD NOT BE USED WITHOUT WRITTEN PERMISSION															
DIMENSION UNITS		SCALE		CURRENT REV DESC:											
MM		2:1		<b>molex</b> COB HOLDER ASSEMBLY 15.85MM X 15.85MM PRODUCT CUSTOMER DRAWING DOCUMENT NUMBER: SD-180560-001   DOC TYPE: PSD   DOC PART: 001   REVISION: B MATERIAL NUMBER: SEE TABLE   CUSTOMER: GENERAL MARKET   SHEET NUMBER: 1 OF 2											
GENERAL TOLERANCES (UNLESS SPECIFIED)										EC NO:		DRWN: AKUMAR19		2018/10/09	
4 PLACES ±		±								CHK'D:		APPR:			
3 PLACES ±		±								INITIAL REVISION:		DRWN: FJAKLIC		2012/08/10	
2 PLACES ±		0.13 ±								APPR: DMCGOWAN		2012/08/17			
1 PLACE ±		0.25 ±		ANGULAR TOL ±		0.5 °									
0 PLACES ±		±		DRAFT WHERE APPLICABLE MUST REMAIN WITHIN DIMENSIONS		THIRD ANGLE PROJECTION		DRAWING: B-SIZE							
SERIES: 180560		MATERIAL NUMBER: SEE TABLE		CUSTOMER: GENERAL MARKET		SHEET NUMBER: 1 OF 2									

DOCUMENT STATUS	RELEASE DATE								
-----------------	--------------	--	--	--	--	--	--	--	--

9 8 7 6 5 4 3 2 1

COB MFG	TYPE	DIM 'A'	DIM 'B'	THICKNESS	DIM 'C'
CREE	CXA1507	15.85	15.85	1.15	10.5
CREE	CXA1510	15.85	15.85	1.15	10.5
CREE	CXA1512	15.85	15.85	1.15	10.5
CREE	CXA1520	15.85	15.85	1.00	10.5
CREE	CXB1507	15.85	15.85	1.15	10.5
CREE	CXB1512	15.85	15.85	1.15	10.5
CREE	CXB1520	15.85	15.85	1.00	10.5
BRIDGELUX	H9	15.85	15.85	1.10	10.5



PRE-RELEASE  
REFERENCE  
USE ONLY

THIS DRAWING CONTAINS INFORMATION THAT IS PROPRIETARY TO MOLEX ELECTRONIC TECHNOLOGIES, LLC AND SHOULD NOT BE USED WITHOUT WRITTEN PERMISSION									
DIMENSION UNITS		SCALE		CURRENT REV DESC:				<b>molex</b>	
MM		1:1		EC NO:					
GENERAL TOLERANCES (UNLESS SPECIFIED)				DRWN: AKUMAR19 2018/10/09				COB HOLDER ASSEMBLY 15.85MM X 15.85MM	
				CHK'D:				PRODUCT CUSTOMER DRAWING	
4 PLACES ±				APPR:				DOCUMENT NUMBER	
3 PLACES ±				INITIAL REVISION:				SD-180560-001	
2 PLACES ± 0.13				DRWN: FJAKLIC 2012/08/10				DOC TYPE	
1 PLACE ± 0.25				APPR: DMCGOWAN 2012/08/17				PSD	
0 PLACES ±				ANGULAR TOL ± 0.5°				001	
DRAFT WHERE APPLICABLE MUST REMAIN WITHIN DIMENSIONS				THIRD ANGLE PROJECTION		DRAWING		REVISION	
				B-SIZE		SERIES		SHEET NUMBER	
				180560		MATERIAL NUMBER		2 OF 2	
				SEE TABLE		CUSTOMER		GENERAL MARKET	

DOCUMENT STATUS	RELEASE DATE
-----------------	--------------

9 8 7 6 5 4 3 2 1