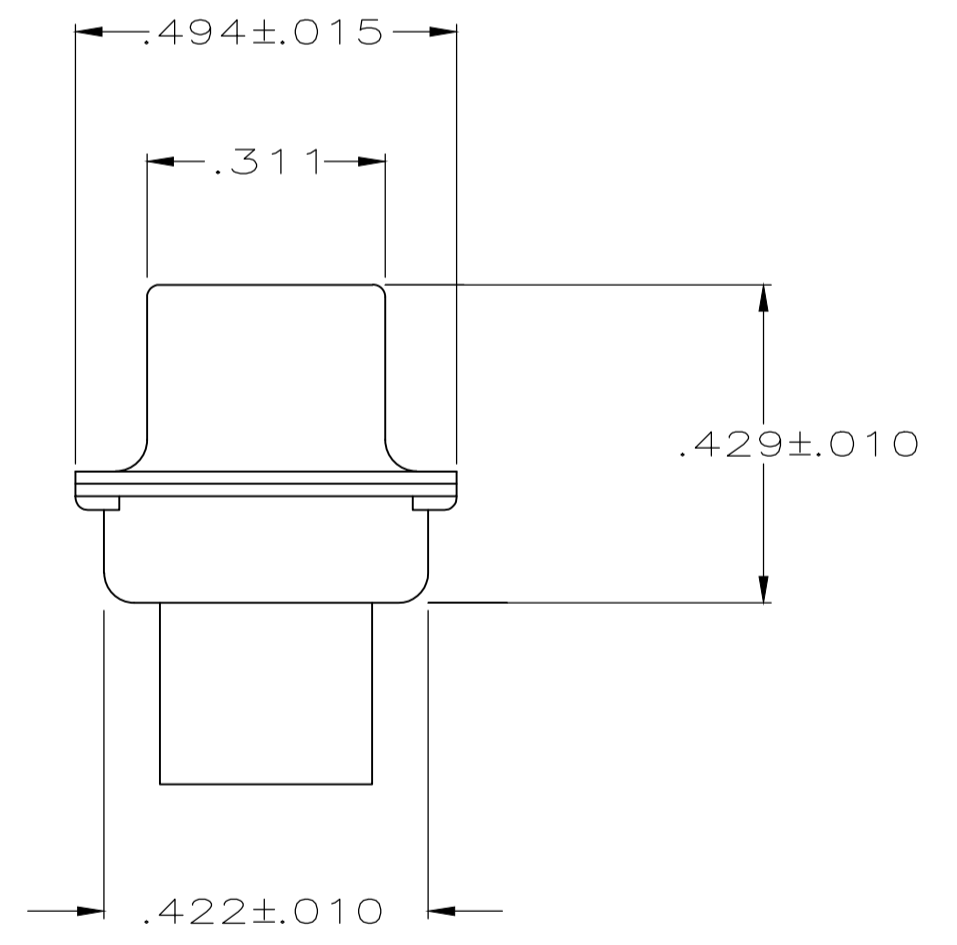
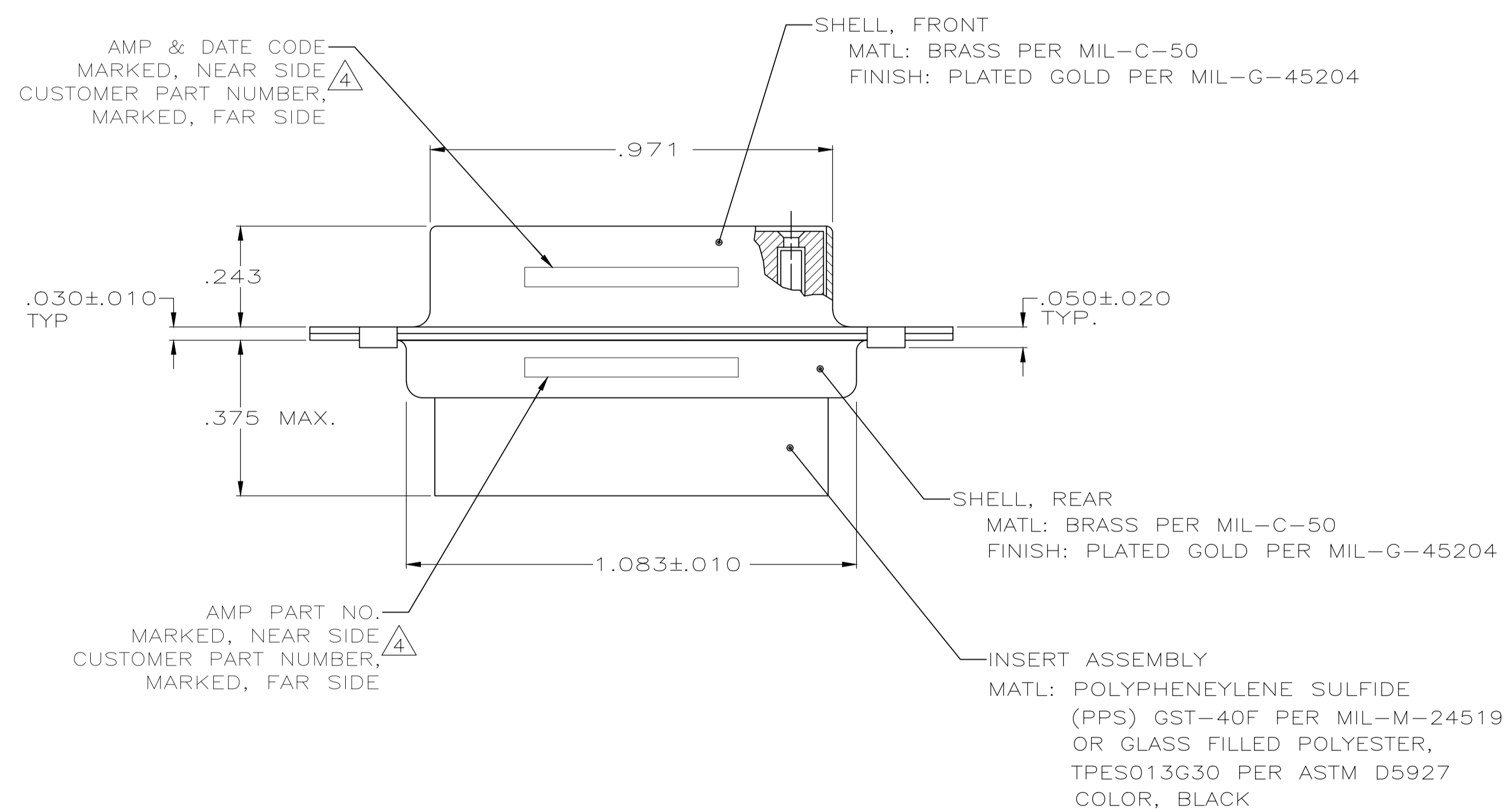
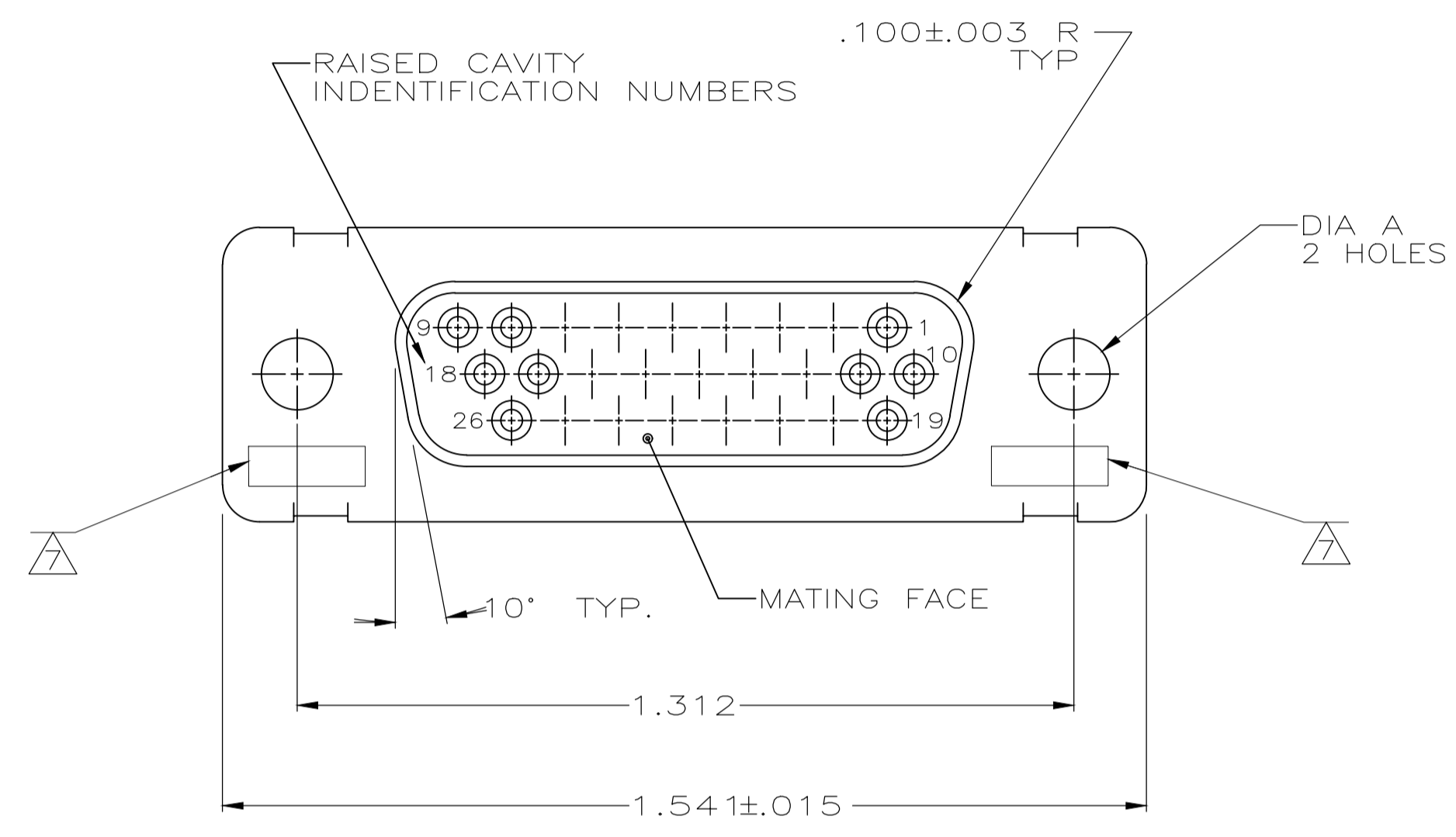


REVISIONS					
P	LTR	DESCRIPTION	DATE	DMN	APVD
W		REV PER ECO 19-014374	12-10-19	CT	DM

- THIS RECEPTACLE WILL MATE WITH ANY PLUG CONNECTOR WITH THE SAME INSERT ARRANGEMENT AS DEFINED BY MS18274-2.
- MAXIMUM WIRE INSULATION USED WITH THIS RCPT. IS .054 DIA.
- Be-Cu RETENTION CLIPS ARE INCLUDED IN INSERTS.
- CUSTOMER PART NUMBER MAY BE SPLIT BETWEEN FRONT AND REAR SHELLS, SAME SIDE.
- INSPECTION REQUIREMENTS PER R4383.
- CONNECTOR SUPPLIED WITH 29 CONTACTS, AMP PART NUMBER 206071-1. INSPECTION REQUIREMENTS PER R4383 WITHOUT TESTS FOR HIGH ALTITUDE DIELECTRIC WITHSTANDING VOLTAGE AS CALLED FOR IN TABLE II SCREENING AND TESTING.
- UL/CSA DESIGNATION STAMPED IN THIS AREA. (OPTIONAL)
- CONNECTOR SUPPLIED WITH 36 CONTACTS, AMP PART NUMBER 206071-1. CLASS B TESTING PER GE DOCUMENT 20025720, KIT WITH CONTACTS 206071-1.
- THESE CONNECTORS ARE QUALIFIED TO GODDARD SPACE FLIGHT CENTER SPECIFICATION S-311-P-4.
- RESTRICTED TO CAE ELECTRONICS ONLY.



AMP P/N 206071-1
 GSFC P/N G-08-S1
 (SUPPLIED WITH 206064-6 AND 206064-8 ONLY)

REMARKS	DIA A	MARKED CUSTOMER P/N	MARKED AMP P/N	AMP P/N
9	.120	570566-2	1-206501-0	1-206501-0
8	.120	311P407-2S-B-12	206501-4	206501-9
10	.120	20025720P1026S	206501-8	206501-8
6	.154	1622380-001	206501-7	206501-7
5	.120	R4383P26S	206501-6	206501-6
4	.120	R4383P26S-2	206501-5	206501-5
3	.120	311P407-2S-B-12	206501-4	206501-4
2	.154		206501-3	206501-3
1	.120	R9259P26S	206501-2	206501-2
	.154	311P407-2S-B-15	206501-1	206501-1

THIS DRAWING IS A CONTROLLED DOCUMENT.

APPROVED: P. YEAGER, 02OCT2006
 CHK: D. MILLER, 05OCT06
 NAME: D. MILLER, 05OCT06

STE TE Connectivity

RECEPTACLE, PIN CONTACTS
 HI-DENSITY D CONNECTOR
 SIZE 2, 26 POSN, NONMAGNETIC

SIZE: A1, CAGE CODE: 00779, DRAWING NO: 206501, WEIGHT: 0.000000

CUSTOMER DRAWING, SCALE: 4:1, SHEET: 1 OF 1, REV: W