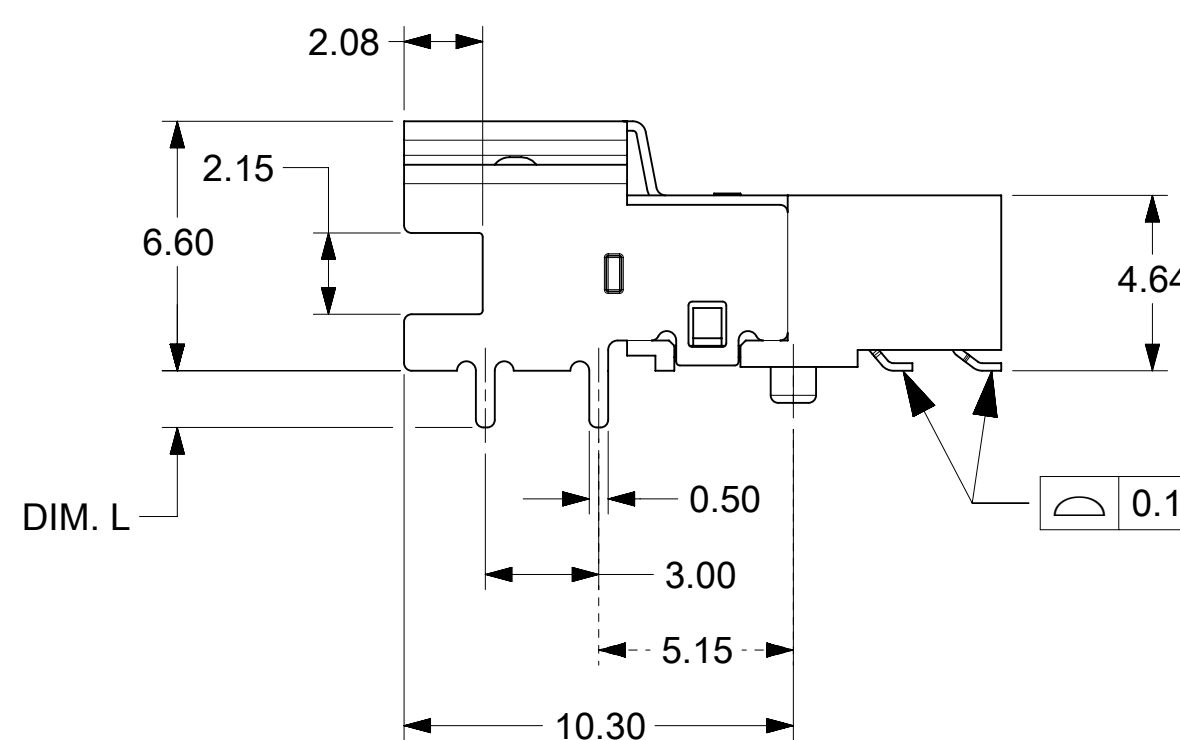
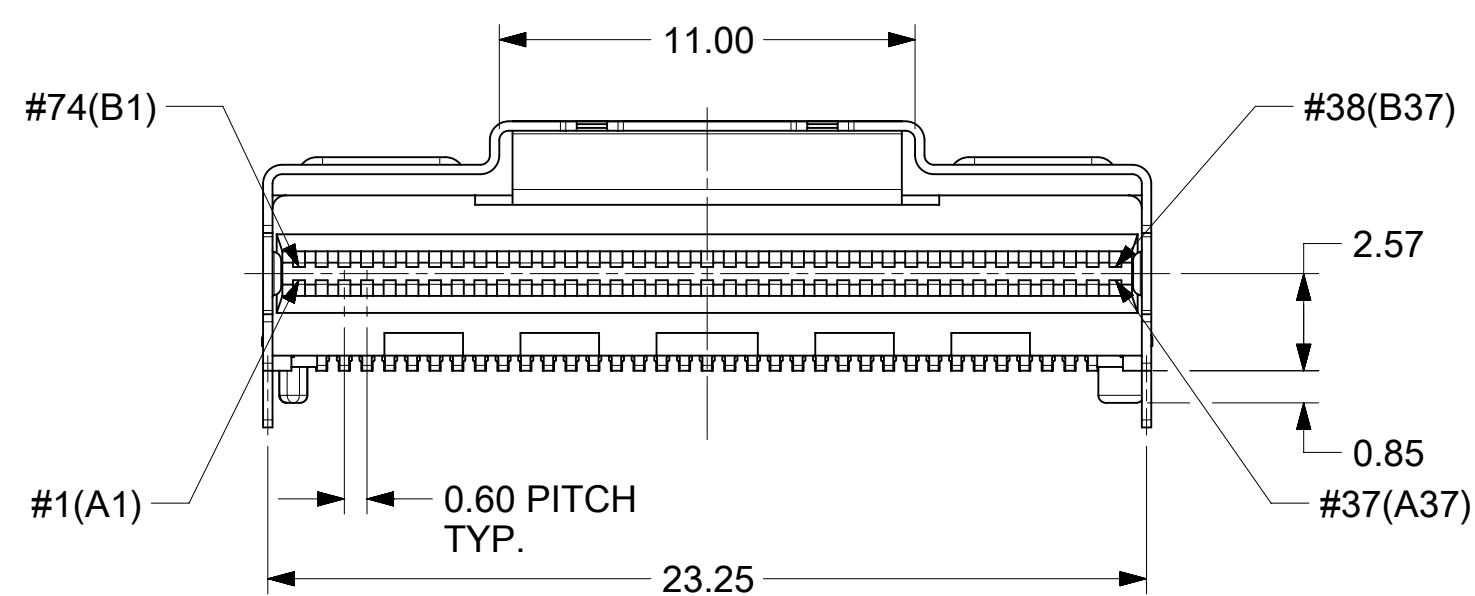
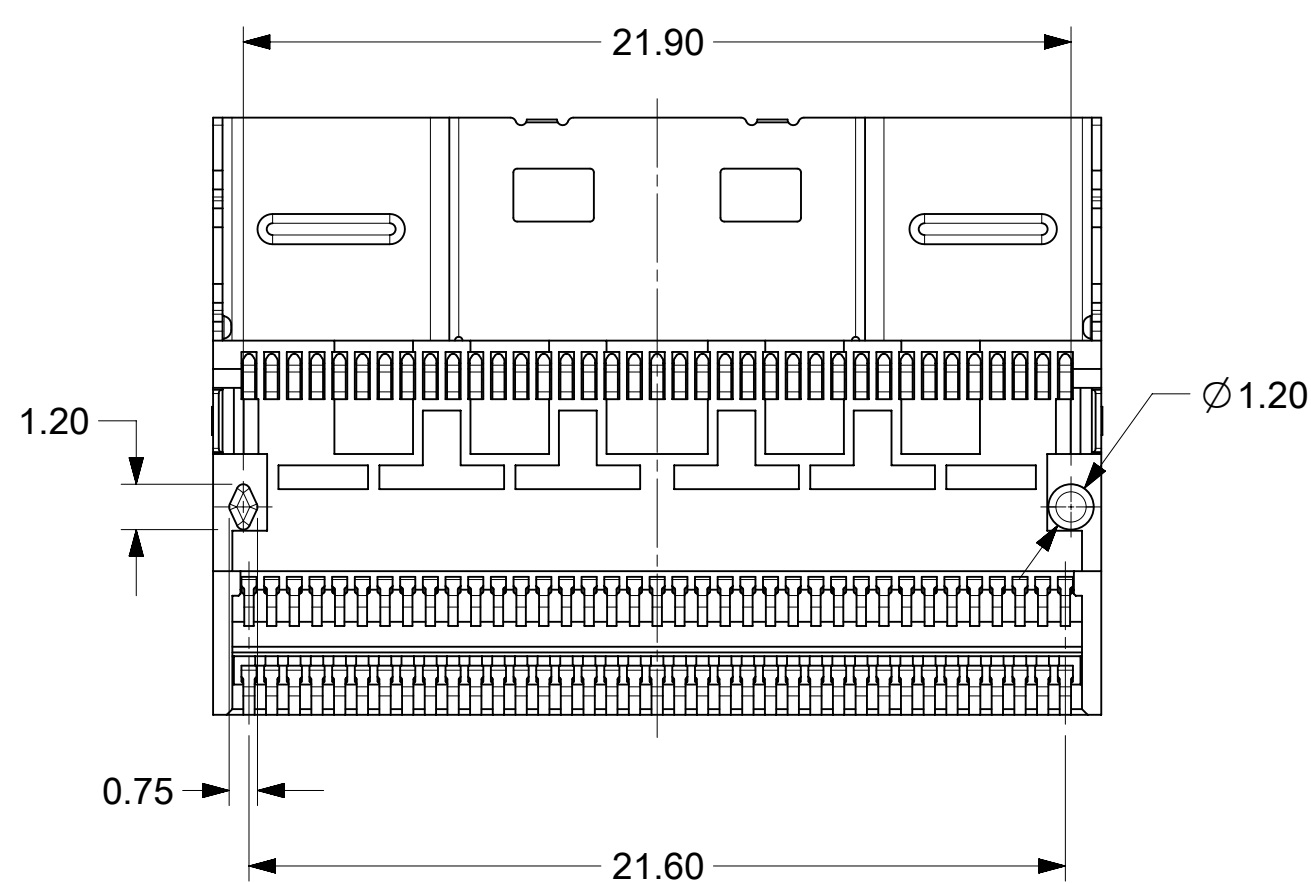


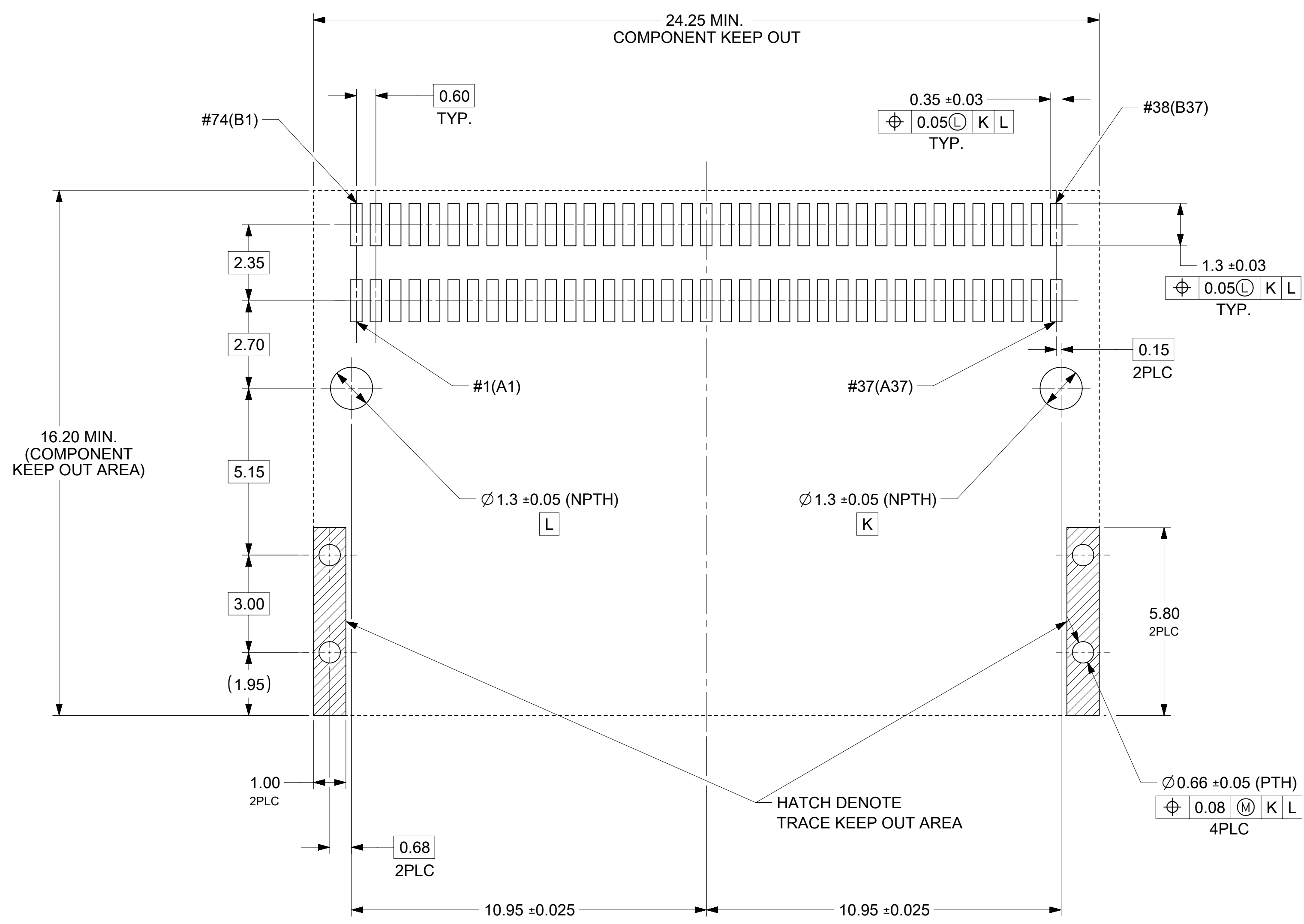
- NOTE:
- MATERIAL:
 - HOUSING : LCP, UL94-V0, BLACK OR NATURAL COLOR
 - INSERT MOLD: LCP, UL94-V0, BLACK COLOR
 - CONTACT: COPPER ALLOY
 - SHELL: NICKEL SILVER
 - FINISH:
 - CONTACT: GOLD PLATING (SEE TABLE) ON CONTACT AREA 100u" MIN. MATTE TIN PLATING ON SOLDERTAIL 50u" MIN. NICKEL UNDER PLATING OVERALL
 - GROUND: 50u" MIN. NICKEL PLATING OVERALL
 - SOLDERTAILS COPLANARITY TO BE 0.1 MAXIMUM.
 - ROHS COMPLIANT



| | | | |
|-----------|----------------|-----|------------|
| NATURAL | 0.375um [15u"] | 4.2 | 2119662018 |
| | | 3.0 | 2119662017 |
| | | 2.2 | 2119662016 |
| | 0.75um [30u"] | 1.5 | 2119662015 |
| | | 4.2 | 2119662014 |
| | | 3.0 | 2119662013 |
| BLACK | 0.375um [15u"] | 2.2 | 2119662012 |
| | | 1.5 | 2119662011 |
| | | 4.2 | 2119662008 |
| | 0.75um [30u"] | 3.0 | 2119662007 |
| | | 2.2 | 2119662006 |
| | | 1.5 | 2119662005 |
| HSG COLOR | GOLD PLATING | 4.2 | 2119662004 |
| | | 3.0 | 2119662003 |
| | | 2.2 | 2119662002 |
| | | 1.5 | 2119662001 |
| | | | |



| | | | | | |
|------------------------------------------------------------------------------------------------|-----------------------------------------------------------------------------------------------------------------------------------------------|---------------------------------------|-------------------|-----------------|----------------|
| FUNCTIONAL SYMBOLS $\nabla_A = 0$ $\nabla_E = 0$ $\nabla_P = 0$ DIVISIONAL SYMBOLS | THIS DRAWING CONTAINS INFORMATION THAT IS PROPRIETARY TO MOLEX ELECTRONIC TECHNOLOGIES, LLC AND SHOULD NOT BE USED WITHOUT WRITTEN PERMISSION | SCALE: 5:1 | CURRENT REV DESC: | | |
| | mm | GENERAL TOLERANCES (UNLESS SPECIFIED) | EC NO: 690306 | 2021/12/27 | |
| | 4 PLACES ± | ANGULAR TOL ± ° | DRWN: ETSENG | 2021/12/30 | |
| | 3 PLACES ± 0.15 | | CHK'D: ETSENG | 2021/12/30 | |
| 2 PLACES ± 0.25 | | APPR: VPENG01 | 2021/12/30 | | |
| 1 PLACE ± 0.35 | | INITIAL REVISION: | | | |
| 0 PLACES ± | | DRWN: SHOU | 2019/04/08 | | |
| | | APPR: ETSENG | 2020/03/23 | | |
| DRAFT WHERE APPLICABLE MUST REMAIN WITHIN DIMENSIONS | THIRD ANGLE PROJECTION | DRAWING | SERIES | MATERIAL NUMBER | CUSTOMER |
| | | C-SIZE | 211966 | SEE TABLE | GENERAL MARKET |
| | | | | DOC NUMBER | DOC TYPE |
| | | | | 2119662001 | PSD |
| | | | | 000 | D |
| | | | | SHEET NUMBER | |
| | | | | 1 OF 2 | |



RECOMMENDED PCB LAYOUT
TOLERANCE : ±0.05

| | | | | | | |
|---------------------------------------------------------------------------------------------|-----------------------------------------------------------------------------------------------------------------------------------------------|----------------------------|-----------------------------------------------------------------|------------------------|---------------|----------------------------------------|
| FUNCTIONAL SYMBOLS $\overline{A} = 0$ $\overline{C} = 0$ $\overline{P} = 0$ | THIS DRAWING CONTAINS INFORMATION THAT IS PROPRIETARY TO MOLEX ELECTRONIC TECHNOLOGIES, LLC AND SHOULD NOT BE USED WITHOUT WRITTEN PERMISSION | | CURRENT REV DESC: | | | |
| | DIMENSION UNITS mm | SCALE 10:1 | EC NO: 690306 DRWN: ETSENG CHK'D: ETSENG APPR: VPENG01 | | | 2021/12/27 2021/12/30 2021/12/30 |
| | GENERAL TOLERANCES (UNLESS SPECIFIED) ANGULAR TOL ± ° | | INITIAL REVISION: DRWN: SHOU APPR: ETSENG | | | 2019/04/08 2020/03/23 |
| | DIVISIONAL SYMBOLS 4 PLACES ± 3 PLACES ± 0.15 2 PLACES ± 0.25 1 PLACE ± 0.35 0 PLACES ± | | DRAFT WHERE APPLICABLE MUST REMAIN WITHIN DIMENSIONS | | | THIRD ANGLE PROJECTION |
| DOCUMENT NUMBER 2119662001 | | DOC TYPE PSD | | DOC PART 000 | REVISION D | |
| MATERIAL NUMBER SEE TABLE | | CUSTOMER GENERAL MARKET | | SHEET NUMBER 2 OF 2 | | |