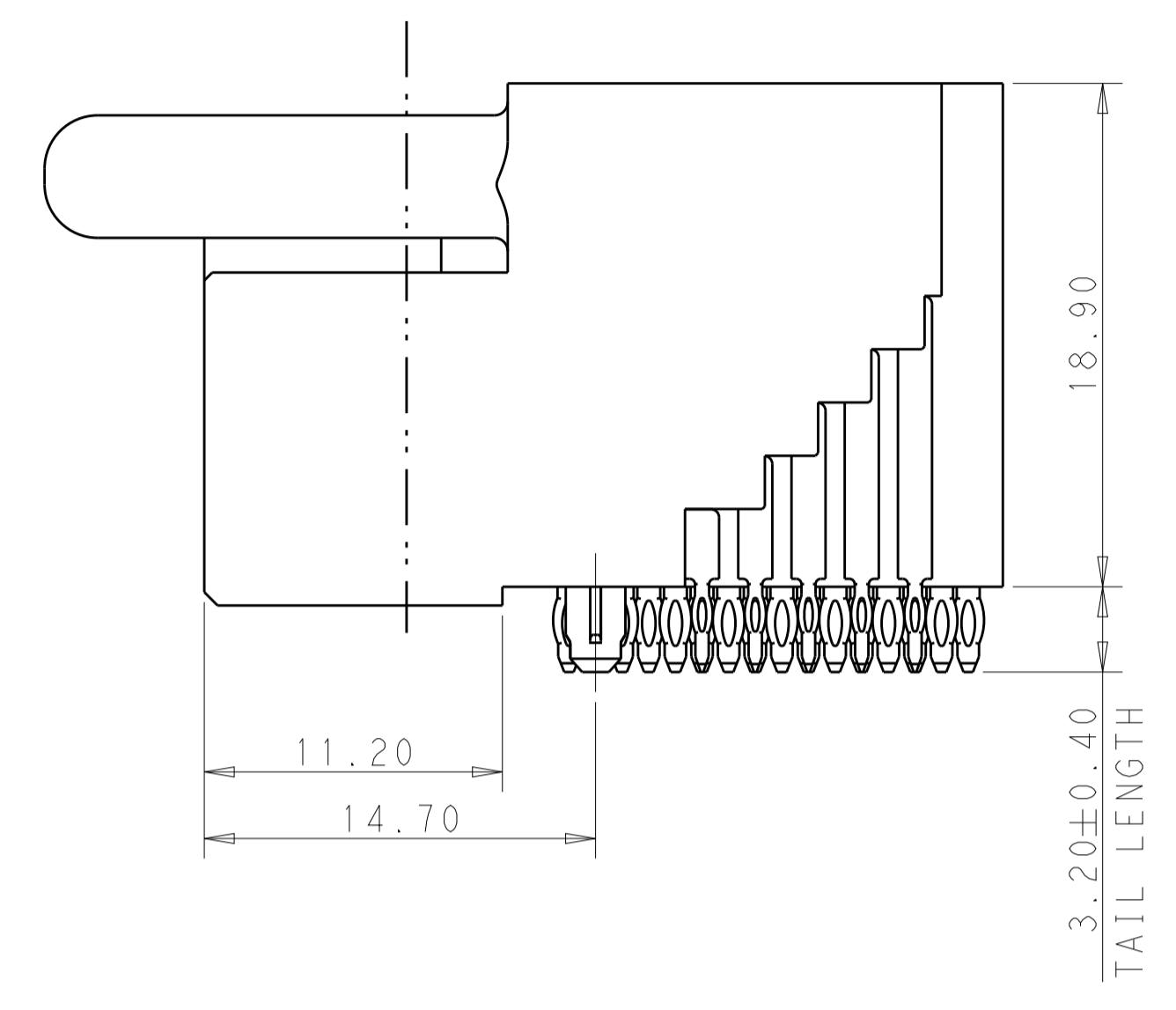
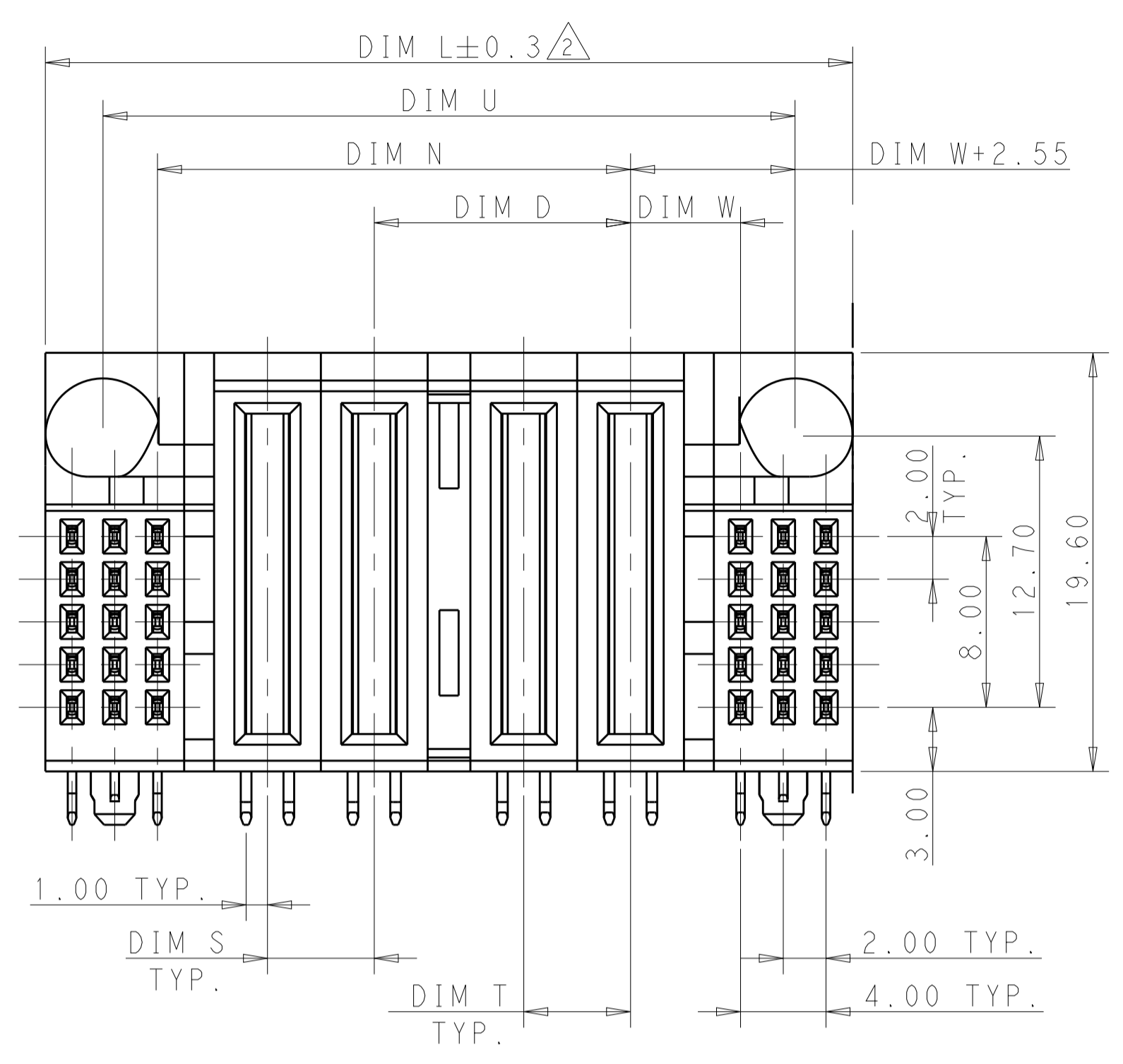


LOC		DIST		REVISIONS			
P	LTN	DESCRIPTION	DATE	DWN	APVD		
A		RELEASED DRAWING	08AUG2016	TZ	SZ		
A1		ECR-16-017993	19DEC2016	TZ	SZ		



NOTES, UNLESS OTHERWISE SPECIFIED:

△ "TE", PART NUMBER AND DATE CODE TO BE MARKED IN AREA SHOWN.

△ MATERIAL:

HOUSING - GLASS FILLED HIGH TEMP THERMO PLASTIC,
COLOR: BLACK, UL94 V- 0.

SIGNAL CONTACT - HIGH CONDUCTIVITY COPPER ALLOY.

POWER CONTACT - HIGH CONDUCTIVITY COPPER ALLOY.

△ CONTACT PLATING:

MATING AREA - NOBLE METAL OVERALL NICKEL

TAIL SIDE AREA - MATTE TIN OVERALL NICKEL.

4. MECHANICAL CONNECTOR KEEP OUT ZONE.

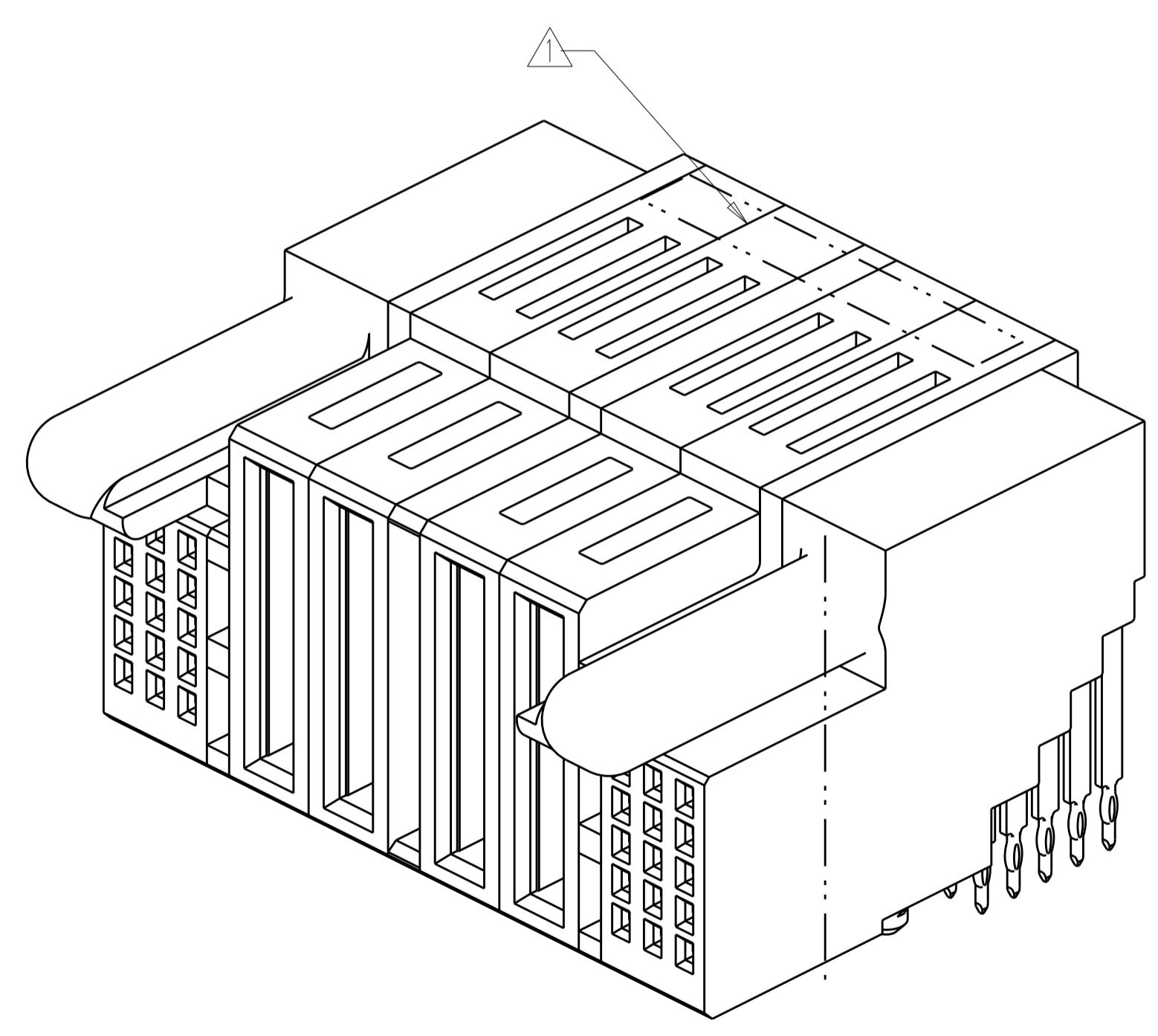
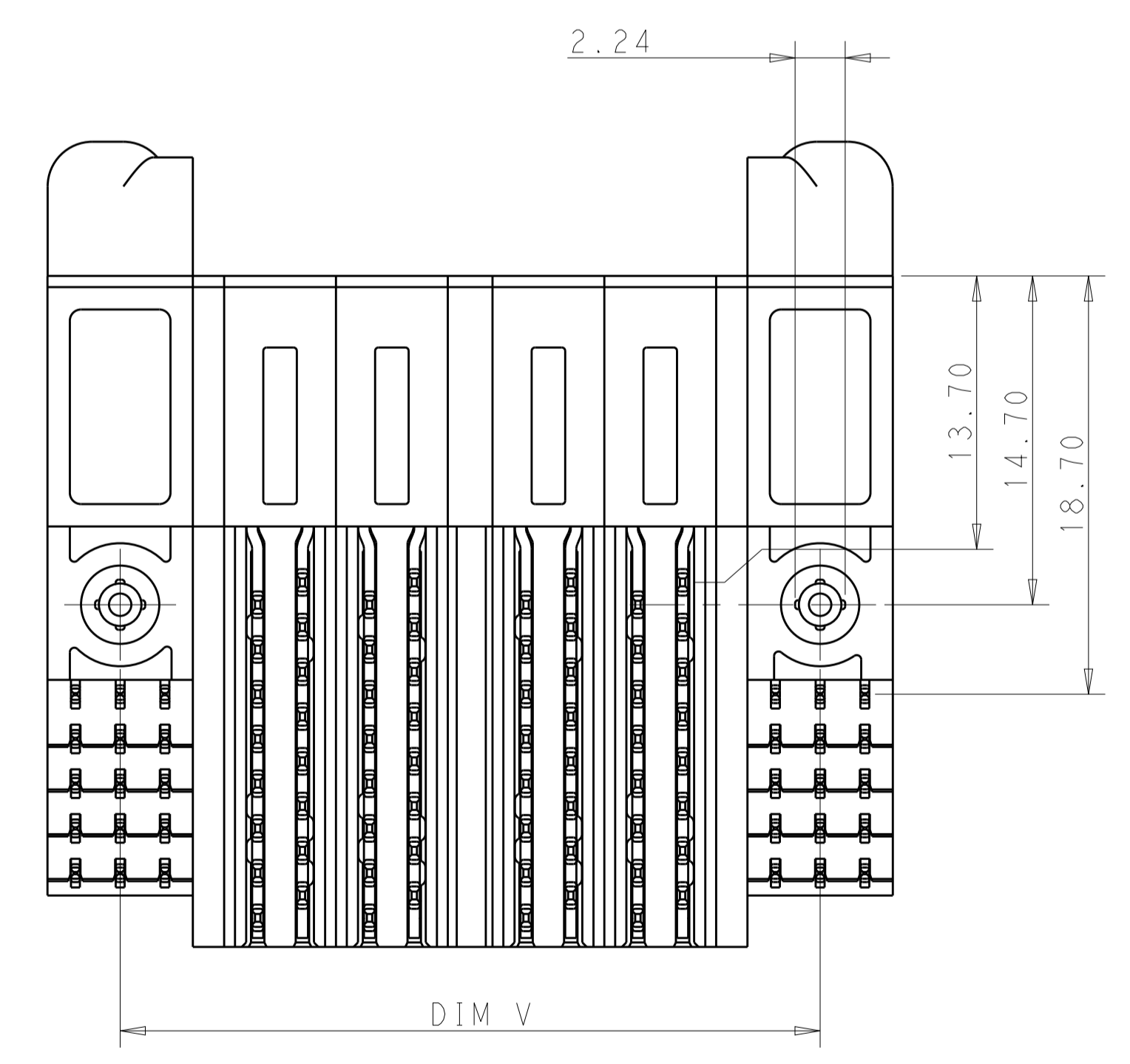
△ DATUM AND BASIC DIMENSIONS ESTABLISHED BY CUSTOMER.

△ PCB - ALL HOLE DIAMETERS ARE FINISHED HOLE SIZES.

△ PCB HOLE:

POWER - 1.15±0.025 MM DRILLED HOLES SIZE PLATING WITH 0.0076 MM MIN.
Sn OVER 0.025~0.076 MM Cu PLATING TO ACHIEVE A 1.02 MM DIA. HOLE.

SIGNAL - 0.835±0.025 MM DRILLED HOLES SIZE PLATING WITH 0.0076 MM MIN.
Sn OVER 0.025~0.076 MM Cu PLATING TO ACHIEVE A 0.72 MM DIA. HOLE.

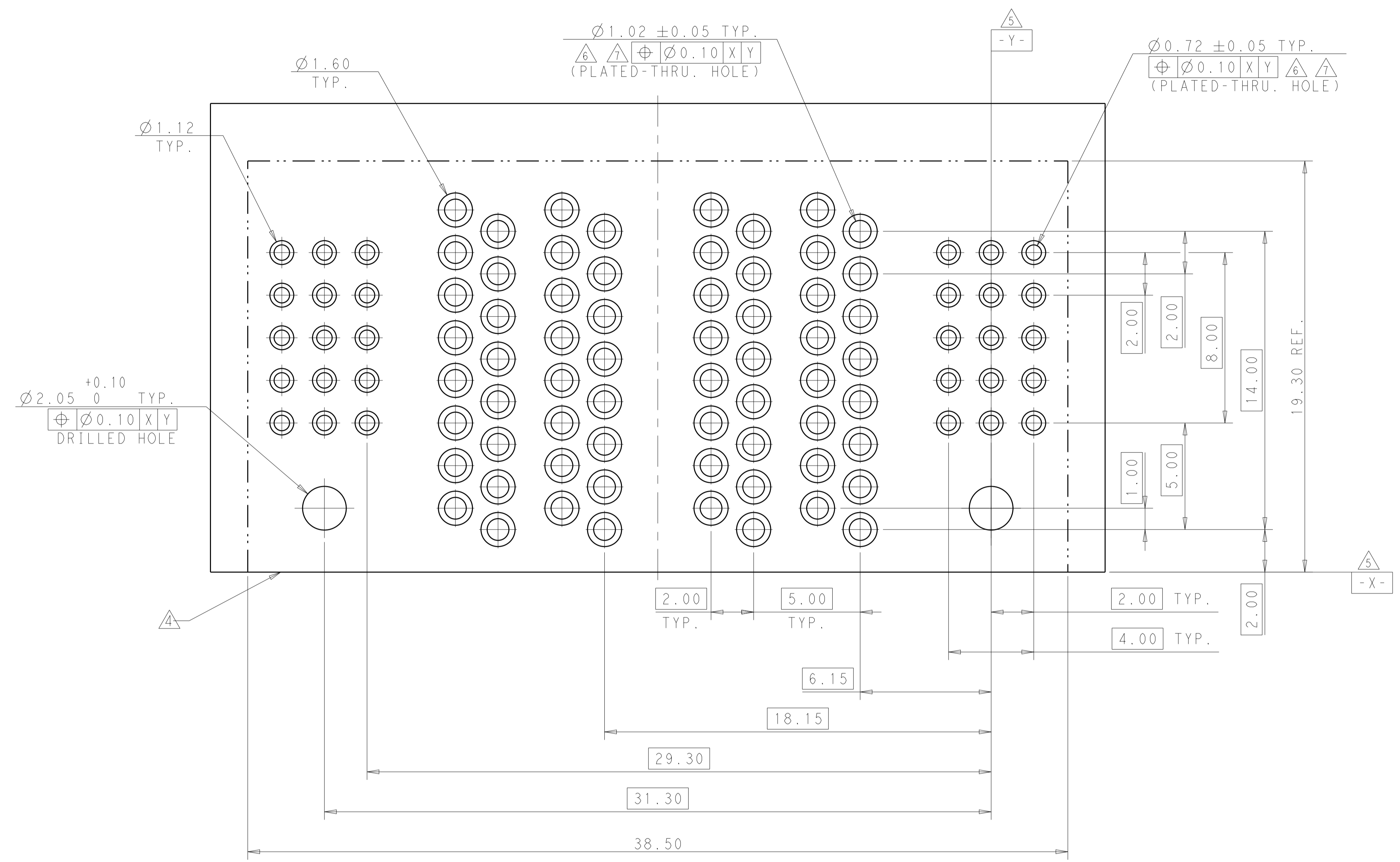


PRELIMINARY

47.80	42.40	32.15	17.00	5.15	5.00	5.00	41.30	15S+3P+3P+15S	2204400-4
27.80	22.40	-	7.00	5.15	-	-	21.30	0S+1P+1P+0S	2204400-3
83.80	78.40	68.15	42.00	5.15	5.00	7.00	77.30	15S+8P+4HVP+15S	2204400-2
37.80	32.40	22.15	12.00	5.15	5.00	5.00	31.30	15S+2P+2P+15S	2204400-1
DIM L	DIM U	DIM N	DIM D	DIM W	DIM S	DIM T	DIM V	DESCRIPTION	PART NUMBER

THIS DRAWING IS A CONTROLLED DOCUMENT.		DWN	THOMAS_ZHAO	06AUG2013	 TE Connectivity
DIMENSIONS:		CHK	SUNY_ZHAO	06AUG2013	
mm	TOLERANCES UNLESS OTHERWISE SPECIFIED:		APVD	SUNY_ZHAO	06AUG2013
0 PLC	±	0.4	NAME		Customer Drawing
1 PLC	±	0.4	PRODUCT SPEC		RIGHT ANGLE RECEPTACLE PRESS FIT
2 PLC	±	0.75	APPLICATION SPEC		MULTI-BEAM HD S+P+P+S
3 PLC	±	1.5	SIZE		A1
4 PLC	±	1.5	CAGE CODE		2204400
ANGLES	±		DRAWING NO		4:1
MATERIAL	FINISH		WEIGHT		1
CUSTOMER DRAWING		SCALE		SHEET 1 OF 4	

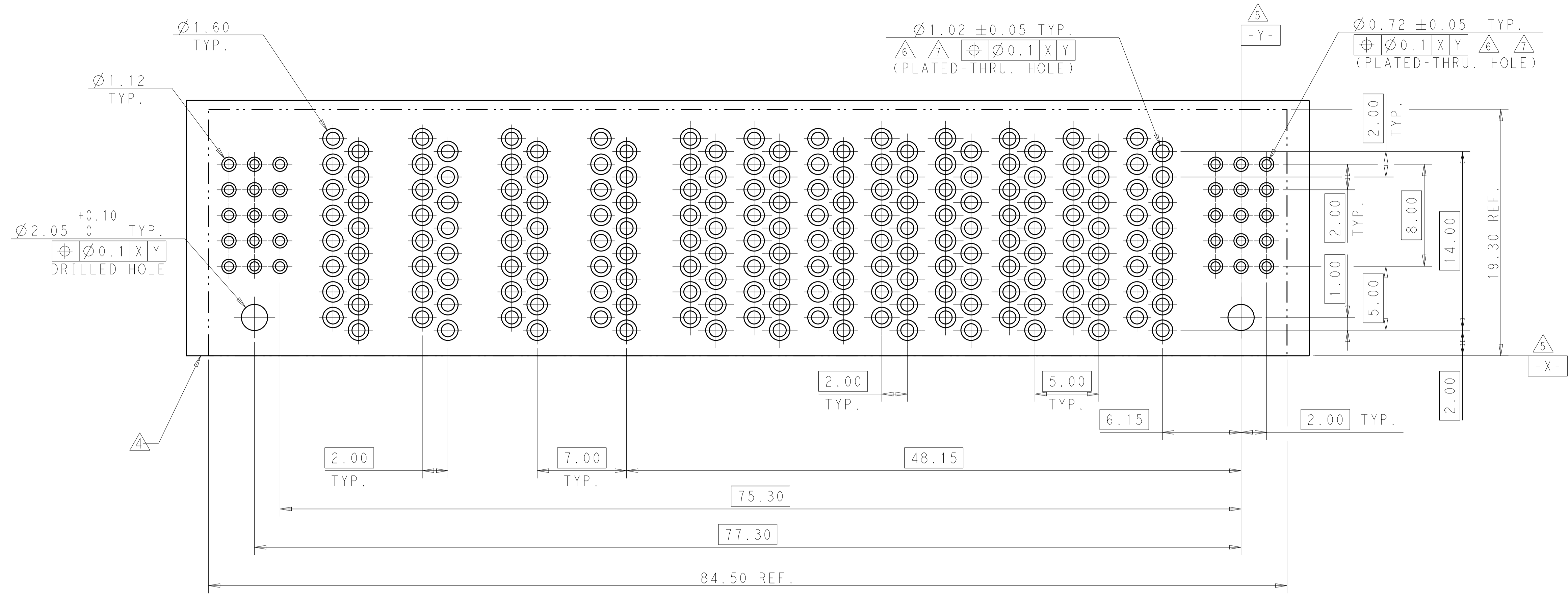
LOC	DIST	REV	DATE	BY	APPV
		1			



PART NUMBER	ROWS	SIGNAL			POWER				SIGNAL		
		6	5	4	P4	P3	P2	P1	3	2	1
2204400-1	E	SR	SR	SR	PR	PR	PR	PR	SR	SR	SR
	D	SR	SR	SR					SR	SR	SR
	C	SR	SR	SR					SR	SR	SR
	B	SR	SR	SR					SR	SR	SR
	A	SR	SR	SR					SR	SR	SR
15S+2P+2P+15S											

POWER CONTACT PRESS-FIT STANDARD	PS									
POWER CONTACT PRESS-FIT MFBL	PR									
SIGNAL CONTACT PRESS-FIT	SR1									
SIGNAL/HP/SIGNAL WITH GUIDE	HOUSING									
DESCRIPTION	CODE									
THIS DRAWING IS A CONTROLLED DOCUMENT.										
DIMENSIONS:	TOLERANCES UNLESS OTHERWISE SPECIFIED:									
mm	0 PLC ±0.4									
	1 PLC ±0.4									
	2 PLC ±0.75									
	3 PLC ±1.15									
	4 PLC ±1.15									
	ANGLES ±°									
MATERIAL	FINISH									
<table border="1"> <tr> <td>OWN</td> <td>THOMAS ZHAO</td> <td>06AUG2013</td> </tr> <tr> <td>CHK</td> <td>SUNY ZHAO</td> <td>06AUG2013</td> </tr> <tr> <td>APPV</td> <td>SUNY ZHAO</td> <td>06AUG2013</td> </tr> </table>		OWN	THOMAS ZHAO	06AUG2013	CHK	SUNY ZHAO	06AUG2013	APPV	SUNY ZHAO	06AUG2013
OWN	THOMAS ZHAO	06AUG2013								
CHK	SUNY ZHAO	06AUG2013								
APPV	SUNY ZHAO	06AUG2013								
<table border="1"> <tr> <td>NAME</td> <td>Customer Drawing</td> </tr> <tr> <td>PRODUCT SPEC</td> <td>RIGHT ANGLE RECEPTACLE PRESS FIT</td> </tr> <tr> <td>APPLICATION SPEC</td> <td>MULTI-BEAM HD S+P+P+S</td> </tr> </table>		NAME	Customer Drawing	PRODUCT SPEC	RIGHT ANGLE RECEPTACLE PRESS FIT	APPLICATION SPEC	MULTI-BEAM HD S+P+P+S			
NAME	Customer Drawing									
PRODUCT SPEC	RIGHT ANGLE RECEPTACLE PRESS FIT									
APPLICATION SPEC	MULTI-BEAM HD S+P+P+S									
SIZE	A1									
CAGE CODE	-									
DRAWING NO	C=2204400									
RESTRICTED TO	-									
CUSTOMER DRAWING										
SCALE	4:1									
SHEET	2 OF 4									
REV	A1									

LOC		DIST		REVISIONS			
P	LTN	DESCRIPTION	DATE	DMN	APVD		
-	-	SEE SHEET 1	-	-	-		



PART NUMBER	ROWS	SIGNAL			POWER											SIGNAL			
		6	5	4	PI2	PI1	PI0	P9	P8	P7	P6	P5	P4	P3	P2	P1	3	2	1
2204400-2	E	SR	SR	SR	PR	PR	PR	PR	PR	PR	PR	PR	PR	PR	PR	PR	SR	SR	SR
	D	SR	SR	SR	PR	PR	PR	PR	PR	PR	PR	PR	PR	PR	PR	PR	SR	SR	SR
	C	SR	SR	SR													SR	SR	SR
	B	SR	SR	SR													SR	SR	SR
	A	SR	SR	SR													SR	SR	SR
I 5S+8P+4HVP+15S																			

THIS DRAWING IS A CONTROLLED DOCUMENT. DWN THOMAS_ZHAO 06AUG2013
 CHK SUNY_ZHAO 06AUG2013
 APVD SUNY_ZHAO 06AUG2013

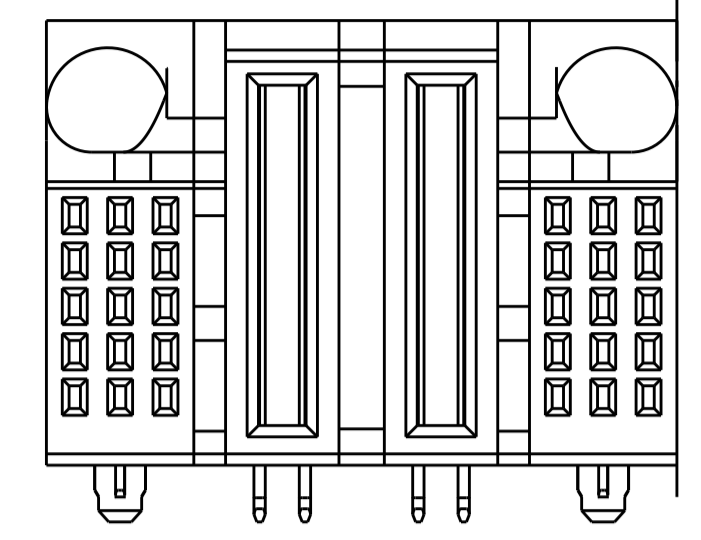
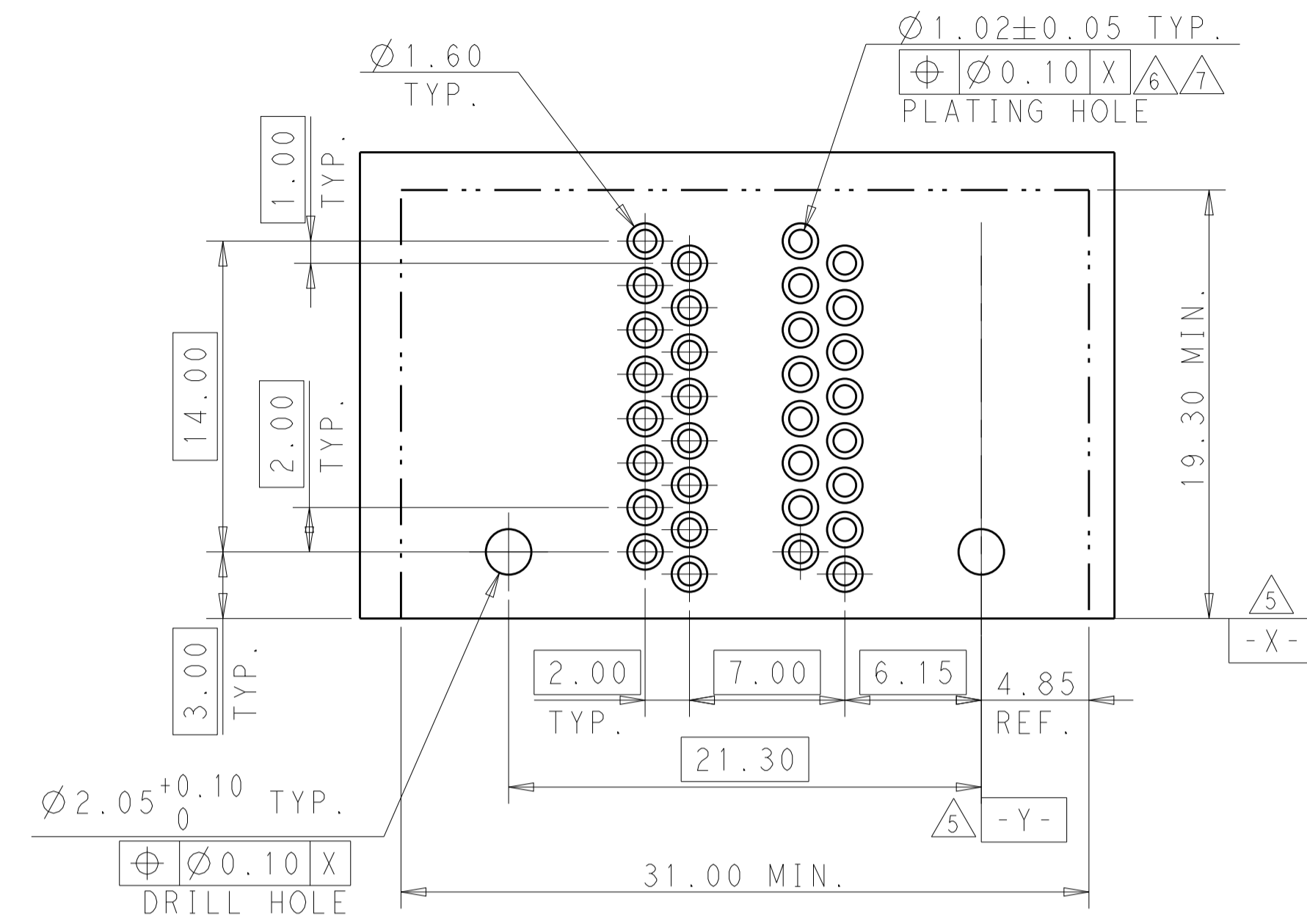
STE TE Connectivity

Customer Drawing
 RIGHT ANGLE RECEPTACLE PRESS FIT
 MULTI-BEAM HD S+P+P+S

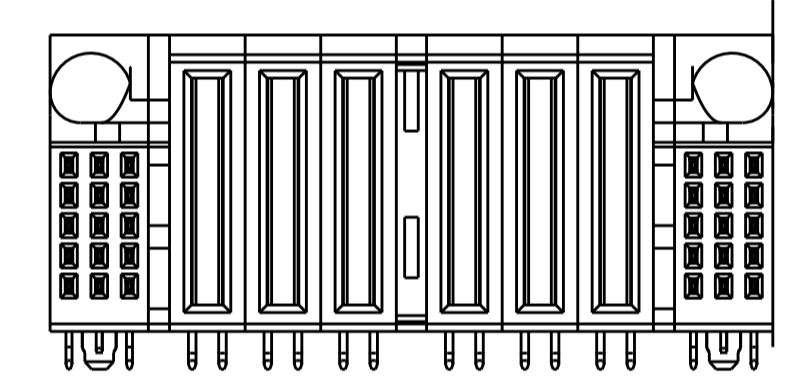
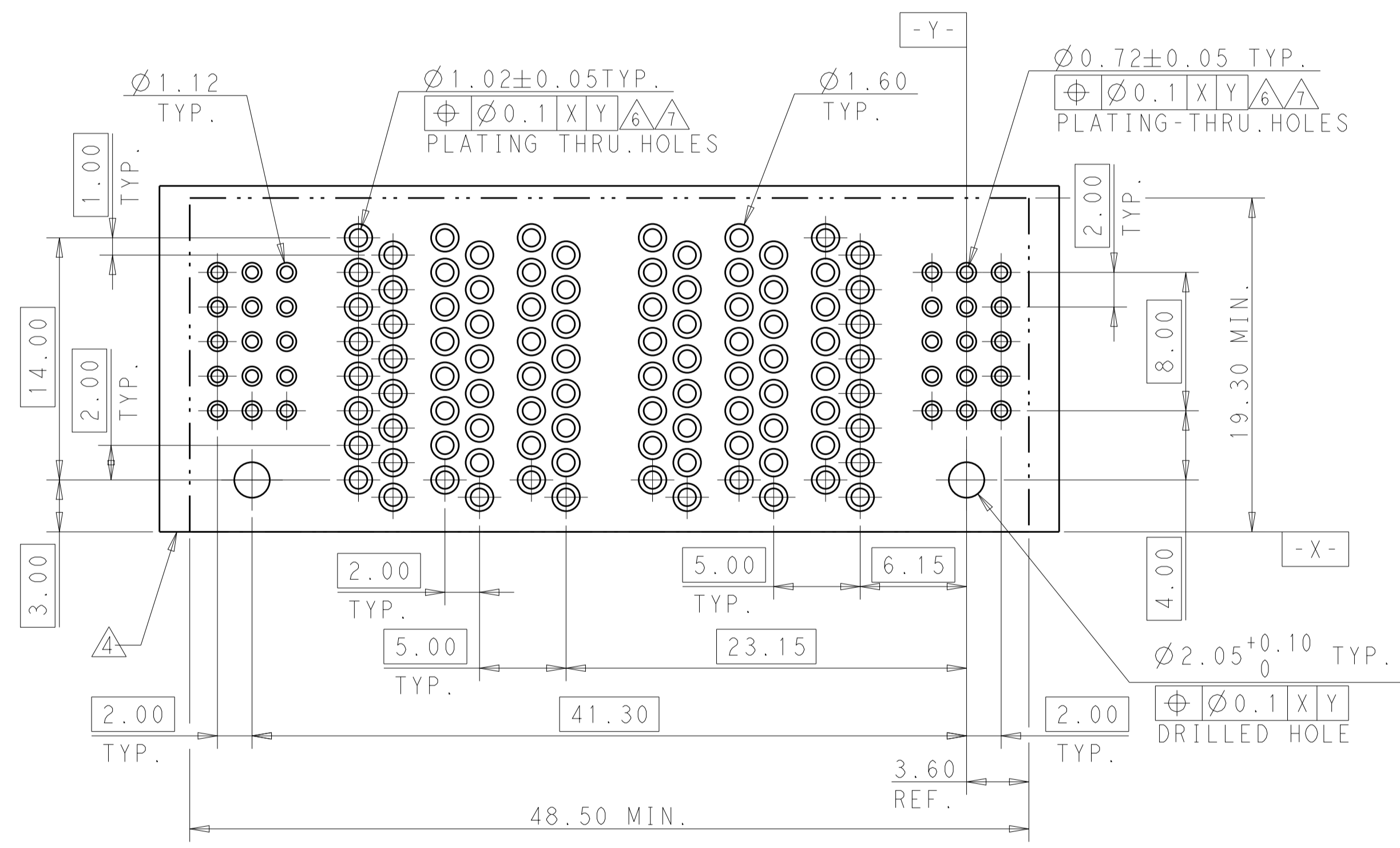
SIZE A1 CAGE CODE DRAWING NO. C=2204400 RESTRICTED TO

MATERIAL FINISH WEIGHT CUSTOMER DRAWING SCALE 4:1 SHEET 3 OF 4 REV A1

LOC		DIST		REVISIONS			
P	LTR	DESCRIPTION	DATE	DWN	APVD		
-	-	SEE SHEET 1	-	-	-	-	-



PART NUMBER	ROWS	POWER			
		P2	P1		
2204400-3	E				
	D				
	C		PR	PR	
	B				
	A				
0S+1P+1P+0S					



PART NUMBER	ROWS	SIGNAL		POWER						SIGNAL			
		6	5	4	P6	P5	P4	P3	P2	P1	3	2	1
2204400-4	E	SR	SR	SR	PR	PR	PR	PS	PS	PS	SR	SR	SR
	D	SR	SR	SR	PR	PR	PR	PS	PS	PS	SR	SR	SR
	C	SR	SR	SR	PR	PR	PR	PS	PS	PS	SR	SR	SR
	B	SR	SR	SR	PR	PR	PR	PS	PS	PS	SR	SR	SR
	A	SR	SR	SR	PR	PR	PR	PS	PS	PS	SR	SR	SR
15S+3P+3P+15S													

PCB LAYOUT PART NUMBER: 2204400-4

THIS DRAWING IS A CONTROLLED DOCUMENT. DWN THOMAS_ZHAO 06AUG2013
 CHK SUNY_ZHAO 06AUG2013
 APVD SUNY_ZHAO 06AUG2013

STE TE Connectivity

NAME: Customer Drawing
 PRODUCT SPEC: RIGHT ANGLE RECEPTACLE PRESS FIT
 APPLICATION SPEC: MULTI-BEAM HD S+P+P+S

DIMENSIONS: mm
 TOLERANCES UNLESS OTHERWISE SPECIFIED:
 0 PLC ±0.4
 1 PLC ±0.4
 2 PLC ±0.25
 3 PLC ±0.15
 4 PLC ±0.15
 ANGLES ±°

MATERIAL: - FINISH: - WEIGHT: -

SIZE: A1 CAGE CODE: - DRAWING NO: C=2204400 RESTRICTED TO: -
 SCALE: 4:1 SHEET 4 OF 4 REV: A1

CUSTOMER DRAWING