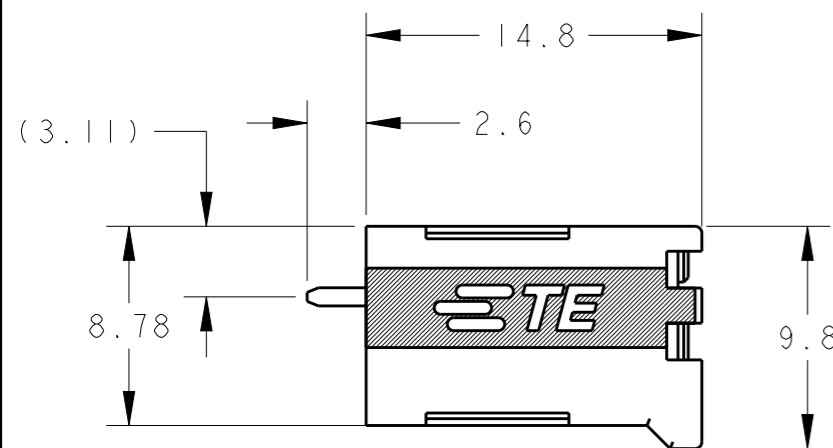
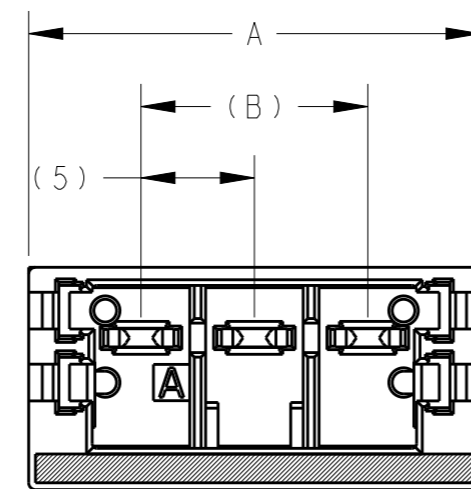
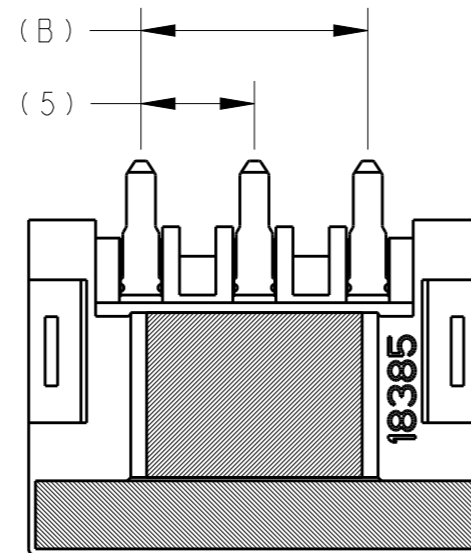


P	LTR	DESCRIPTION	DATE	DWN	APVD
	A	RELEASE	04NOV2020	T.S	E.I


1 MATERIAL AND FINISH
 HOUSING : LIQUID CRYSTAL PLASTIC, BLACK
 CONTACT : COPPER ALLOY, PLATING: CONTACT AREA SEE TABLE
 SOLDERING AREA TIN

2. INSTRUCTION SHEET: 408-78171



CONTACT PLATING	D	DIM B	DIM A	NO OF POSN	PART NUMBER
0.38um GOLD	3	15	24.9	4	2-2336494-4
0.38um GOLD	2	10	19.9	3	2-2336494-3
TIN	3	15	24.9	4	2336494-4
TIN	2	10	19.9	3	2336494-3

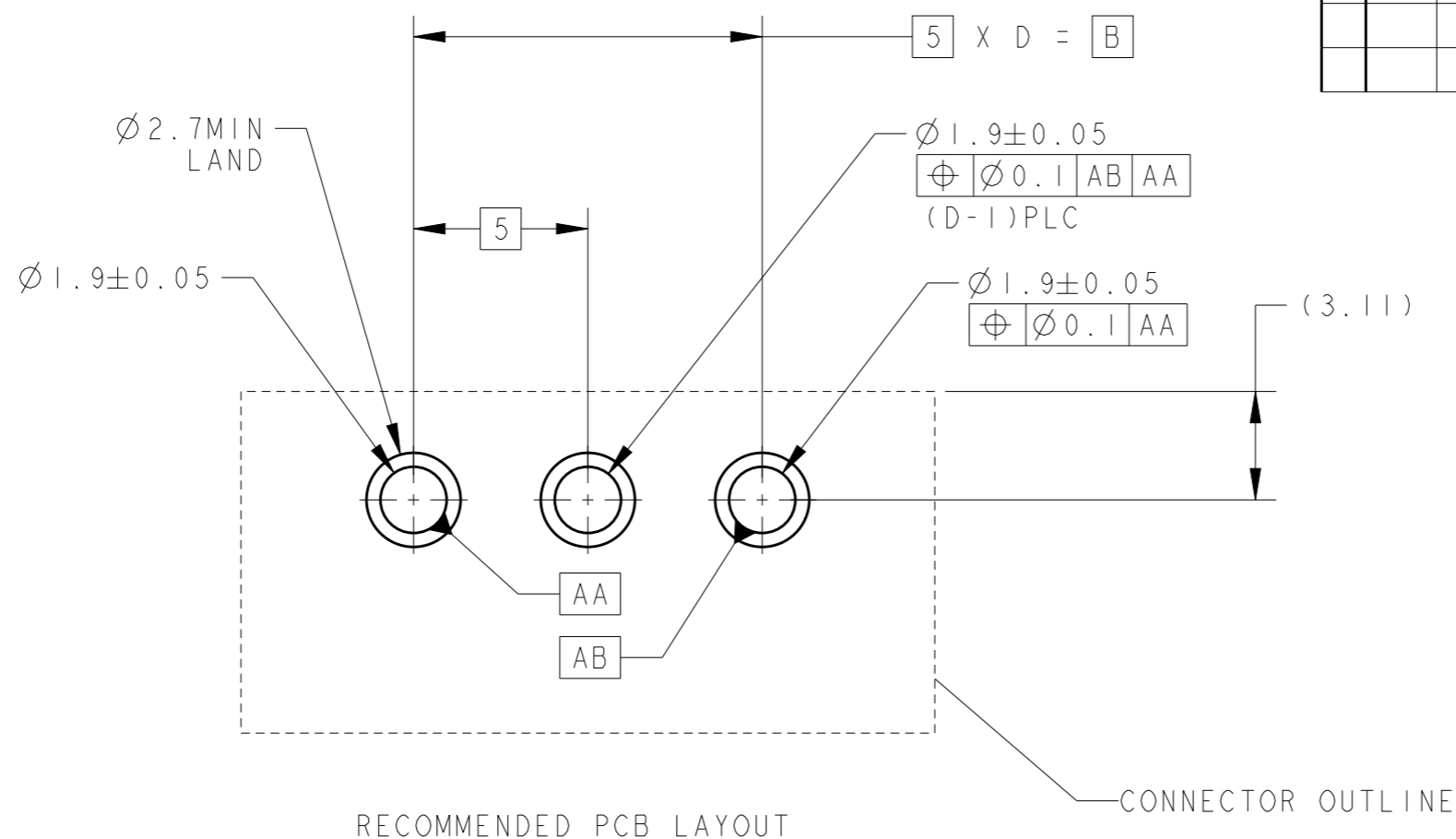
THIS DRAWING IS A CONTROLLED DOCUMENT.

DWN H. OSABE 04NOV2020	 TE Connectivity NAME HEADER ASSEMBLY, 180 DEGREE TYPE D2970 PUSH-IN TYPE, DYNAMIC FIELD INSTALLABLE CONNECTOR					
CHK T. SHIMOYASU 04NOV2020						
APVD F. IKEMATSU 04NOV2020						
PRODUCT SPEC 108-140223						
MATERIAL	FINISH	WEIGHT	SIZE A3	CAGE CODE 00779	DRAWING NO C-2336494	RESTRICTED TO
CUSTOMER DRAWING		SCALE 3:1	SHEET 1	OF 2	REV A	

DIMENSIONS:	TOLERANCES UNLESS OTHERWISE SPECIFIED:
mm	
	0 PLC ±0.5
	1 PLC ±0.5
	2 PLC ±0.5
	3 PLC ±°
	4 PLC ±°
	ANGLES ±5°

REVISIONS

P	LTR	DESCRIPTION	DATE	DWN	APVD
-		SEE SHEET 1	-	-	-

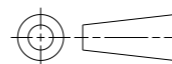


RECOMMENDED PCB LAYOUT

CONNECTOR OUTLINE

THIS DRAWING IS A CONTROLLED DOCUMENT.

DIMENSIONS:
mm



TOLERANCES UNLESS OTHERWISE SPECIFIED:	
0 PLC	±0.5
1 PLC	±0.5
2 PLC	±0.5
3 PLC	±
4 PLC	±
ANGLES	±5°

MATERIAL
-

FINISH
-

DWN H. OSABE 15MAY2019
 CHK T. SHIMOYASU 15MAY2019
 APVD F. IKEMATSU 15MAY2019

PRODUCT SPEC
108-140223

APPLICATION SPEC

WEIGHT
-

CUSTOMER DRAWING



NAME
 HEADER ASSEMBLY, 180 DEGREE TYPE
 D2970 PUSH-IN TYPE, DYNAMIC
 FIELD INSTALLABLE CONNECTOR

SIZE	CAGE CODE	DRAWING NO	RESTRICTED TO
A3	00779	C=2336494	-

SCALE 3:1 SHEET 2 OF 2 REV A