

## Ring cable lug - C-RC 50/M8 DIN - 3240111

Please be informed that the data shown in this PDF Document is generated from our Online Catalog. Please find the complete data in the user's documentation. Our General Terms of Use for Downloads are valid (<http://phoenixcontact.com/download>)



Ring cable lug, non-insulated, 50 mm<sup>2</sup>, M8

### Your advantages

- ✓ The CRIMPFOX-RC... tools from our CRIMPFOX range of crimping pliers are available for optimum crimping
- ✓ The hard-soldered press zone enables maximum conductor pull-out values to be achieved
- ✓ The ring cable lugs without plastic sleeve are made from high-quality tin-plated electrolytic copper for maximum protection against corrosion

### Key Commercial Data

|                        |                     |
|------------------------|---------------------|
| Packing unit           | 100 pc              |
| Minimum order quantity | 100 pc              |
| GTIN                   | <br>4 046356 453288 |
| GTIN                   | 4046356453288       |

### Technical data

#### Dimensions

|   |        |
|---|--------|
| Length (b)  | 43 mm  |
| Width (a)   | 18 mm  |
| Maximum stripping length                                  | 19 mm  |
| Length of insulation sleeve (c)                           | 16 mm  |
| Inner dimension of the insulating collar (d)              | 11 mm  |
| Distance between the center and the insulation sleeve (e) | 18 mm  |
| Inner diameter (f)  | 8.4 mm |
| Material thickness (g)                                    | 1.8 mm |

#### Ambient conditions

|                                 |        |
|---------------------------------|--------|
| Ambient temperature (operation) | 110 °C |
|---------------------------------|--------|

#### General

# Ring cable lug - C-RC 50/M8 DIN - 3240111

## Technical data

### General

|                  |            |
|------------------|------------|
| Color            | silver     |
| Stripping length | 19 mm      |
| Material         | Copper     |
| Coating          | tin-plated |

### Standards and Regulations

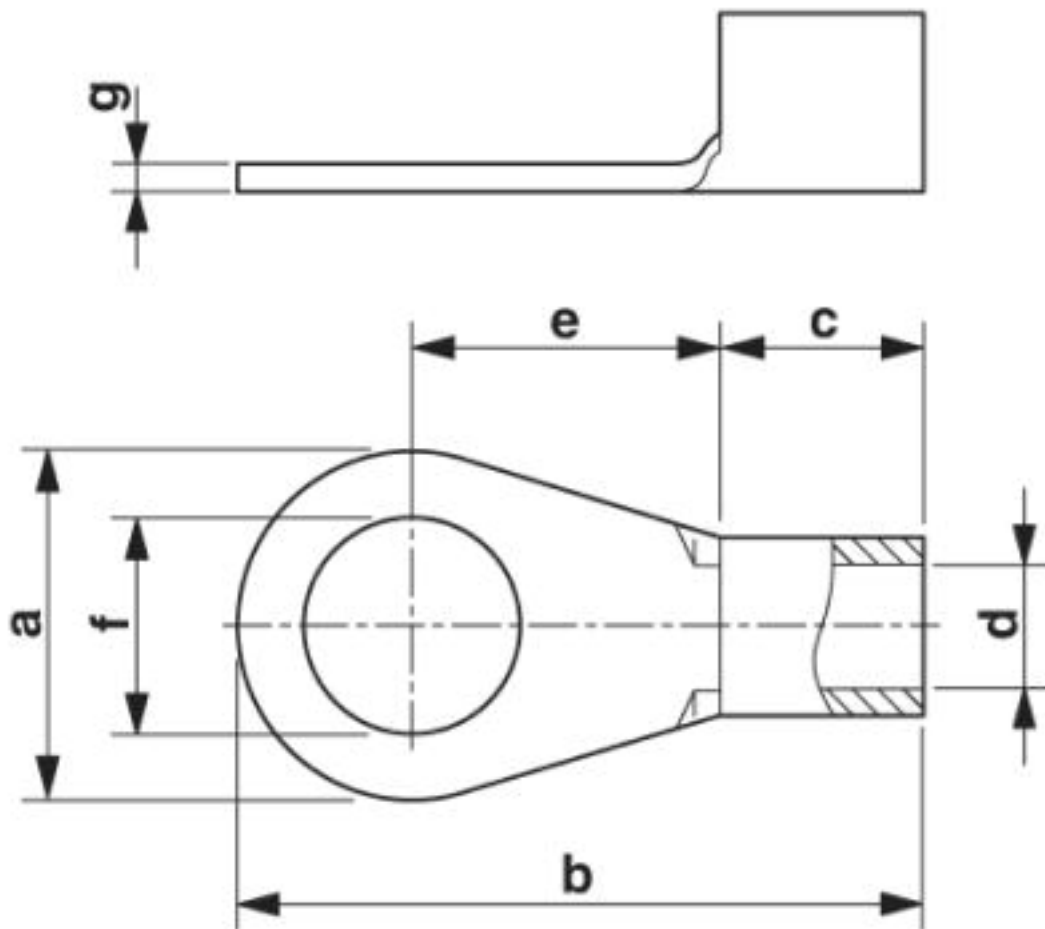
|                              |           |
|------------------------------|-----------|
| Design according to standard | DIN 46234 |
|------------------------------|-----------|

### Environmental Product Compliance

|            |   |
|------------|---|
| China RoHS | Environmentally friendly use period: unlimited = EFUP-e |
|            | No hazardous substances above threshold values          |

## Drawings

Dimensional drawing



## Ring cable lug - C-RC 50/M8 DIN - 3240111

### Approvals

Approvals

---

Approvals


EAC / EAC


---

Ex Approvals

---

### Approval details

|     |   |                     |
|-----|---|---------------------|
| EAC |  | 7500651.22.01.00246 |
|-----|---|---------------------|

|     |  |               |
|-----|--|---------------|
| EAC |  | EAC-Zulassung |
|-----|--|---------------|

---

Phoenix Contact 2019 © - all rights reserved  
<http://www.phoenixcontact.com>

PHOENIX CONTACT GmbH & Co. KG  
Flachsmarktstr. 8  
32825 Blomberg  
Germany  
Tel. +49 5235 300  
Fax +49 5235 3 41200  
<http://www.phoenixcontact.com>