

**PLEASE CHECK WWW.MOLEX.COM FOR LATEST PART INFORMATION**

**Part Number:** [0719790207](#)  
**Status:** **Active**  
**Overview:** C-Grid Connector Products  
**Description:** 2.54mm Pitch C-Grid Receptacle, Surface Mount, Dual Row, Right-Angle, 14 Circuits

**Documents:**

[3D Model](#) [Product Specification PS-71973-9999-001 \(PDF\)](#)  
[Drawing \(PDF\)](#) [RoHS Certificate of Compliance \(PDF\)](#)

**General**

Product Family PCB Receptacles  
 Series [71979](#)  
 Application Board-to-Board, Signal  
 Overview [C-Grid Connector Products](#)  
 Product Name C-Grid  
 UPC 800754353960

**Physical**

Circuits (Loaded) 14  
 Circuits (maximum) 14  
 Glow-Wire Capable No  
 Material - Metal Phosphor Bronze  
 Material - Plating Mating Gold  
 Material - Plating Termination Tin  
 Material - Resin High Temperature Thermoplastic  
 Net Weight 1.378/g  
 Number of Rows 2  
 Orientation Right Angle  
 PCB Locator Yes  
 PCB Retention Yes  
 PCB Thickness - Recommended 2.40mm  
 Packaging Type Tube  
 Pitch - Mating Interface 2.54mm  
 Pitch - Termination Interface 2.54mm  
 Plating min - Mating 0.381µm  
 Plating min - Termination 1.905µm  
 Polarized to PCB No  
 Stackable Yes  
 Temperature Range - Operating -40° to +105°C  
 Termination Interface: Style Surface Mount

**Electrical**

Current - Maximum per Contact 1.0A, 2.0A, 3.0A  
 Voltage - Maximum 500V AC

**Solder Process Data**

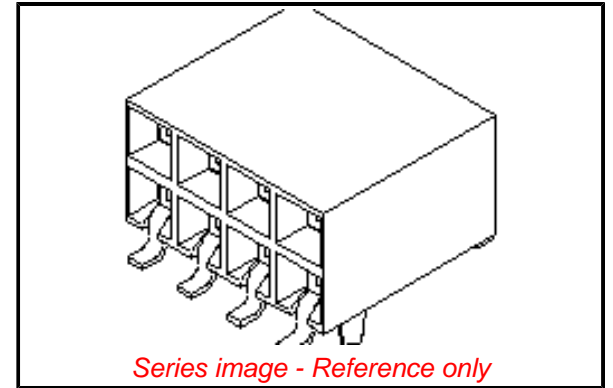
Duration at Max. Process Temperature (seconds) 010  
 Lead-freeProcess Capability REFLOW  
 Max. Cycles at Max. Process Temperature 001  
 Process Temperature max. C 260

**Material Info**

Engineering Number A719790207

**Reference - Drawing Numbers**

Product Specification PS-71973-9999-001  
 Sales Drawing SD-71979-001, SDA-71979-XXXX



**EU ELV**

**Not Relevant**

**EU RoHS**

**Compliant**

**REACH SVHC**

Not Contained Per  
 -ED/88/2018 (15  
 January 2019)

**Halogen-Free**

**Status**

**Low-Halogen**

For more information, please visit [Contact US](#)

China ROHS

ELV

RoHS Phthalates

**China RoHS**

Green Image

Not Relevant

Not Contained

**Search Parts in this Series**

[71979 Series](#)

**Mates With**

[87911 Header](#)

This document was generated on 03/27/2019

**PLEASE CHECK [WWW.MOLEX.COM](http://WWW.MOLEX.COM) FOR LATEST PART INFORMATION**