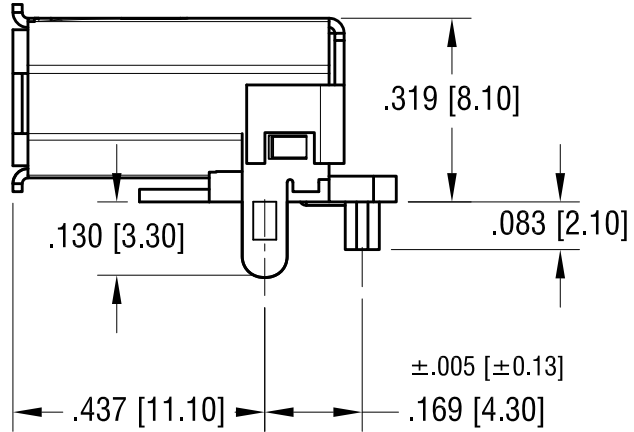
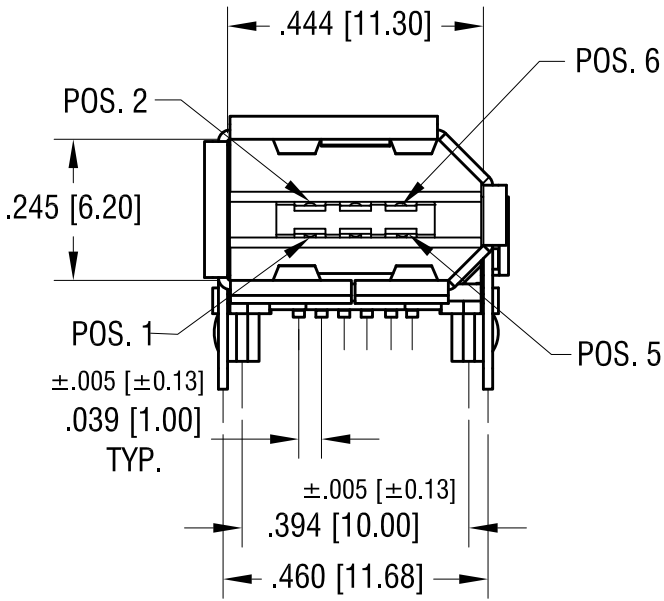
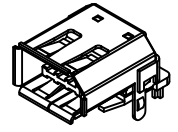
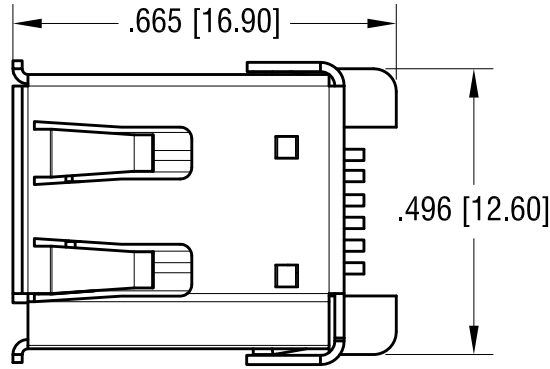
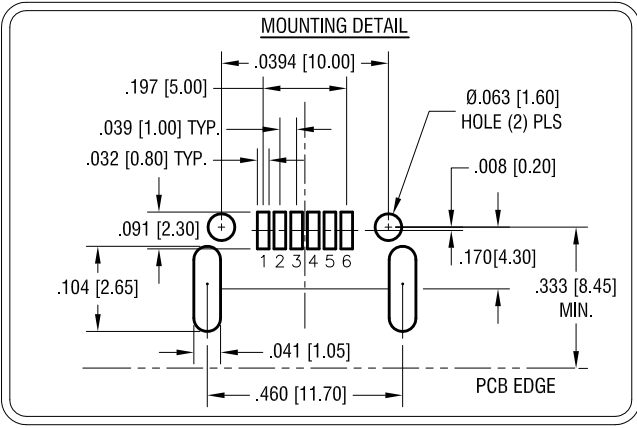


THIS DOCUMENT IS THE PROPERTY OF KEYSTONE ELECTRONICS CORP. AND SHALL NOT BE REPRODUCED, DISTRIBUTED OR USED AS A BASIS FOR MANUFACTURE WITHOUT PRIOR WRITTEN PERMISSION FROM KEYSTONE ELECTRONICS CORP.

**ACTUAL SIZE**



**Notes:**

- 1. Shell: Mat'l: Steel, Nickel Plated  
Finish: Tin Plate over
- 2. Insulator: Mat'l: LCP, UL 94V-0
- 3. Contacts: Mat'l: Phosphor Bronze  
Finish: Gold Plate over Nickel Plate on Contact Area.  
Tin Plate over Nickel Plate on Solder Tail.
- 4. Electrical Specifications  
Rated current : 1.5 A  
Insulation Resistance:  
500 Megohms Min. at 500 V/DC for 1 minute  
Withstanding voltage: 500 VAC/ minute  
Contact Resistance: 50 mΩ max.

|         |                          |      |
|---------|--------------------------|------|
| 3.15.18 | CHANGE AS PER ECN 18-015 | C    |
| 6.7.05  | CHANGE AS PER ECN 05-030 | B    |
| 7.26.99 | CHANGE AS PER ECN 99-053 | A    |
| DATE    | DESCRIPTION              | REV. |

|  |                 |        |            |
|--|-----------------|--------|------------|
| <b>KEYSTONE ELECTRONICS CORP.</b>                              |                 |        |            |
| www.keyelco.com • NEW HYDE PARK, NY 11040 • Tel (516) 328-7500 |                 |        |            |
| PART NAME  |                 |        |            |
| IEEE 1394 'FIREWIRE' SM HORIZONTAL SOCKET                      |                 |        |            |
| MATERIAL   |                 |        |            |
| AS NOTED   |                 |        |            |
| FINISH   |                 | DRN BY | DATE       |
| AS NOTED   |                 | BOONE  | 5.22.98    |
|  |                 | APP'D  | SCALE      |
|  |                 | LN     | 3X         |
| TOLERANCES   | INCH [MM]       | CODE   | DWG NO.    |
| DECIMAL  | ± .010 [± 0.25] | C      | <b>927</b> |
| ANGULAR  | ± 1°            |        |            |
| UNLESS OTHERWISE SPECIFIED                                     |                 |        |            |