

MATERIALS & SPECIFICATIONS

PART NO.	A79023-001	REV	ECO	DATE	APP
		D	106161	02-13-2020	TLM

INSULATOR:
THERMOPLASTIC PER MIL-M-24519, TYPE GLCP-30F OR GST-40F NATURAL

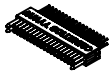
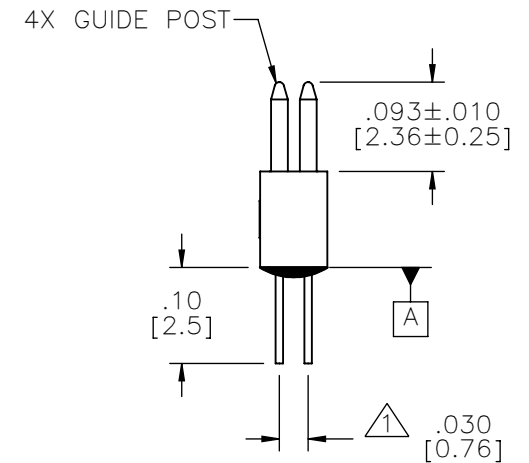
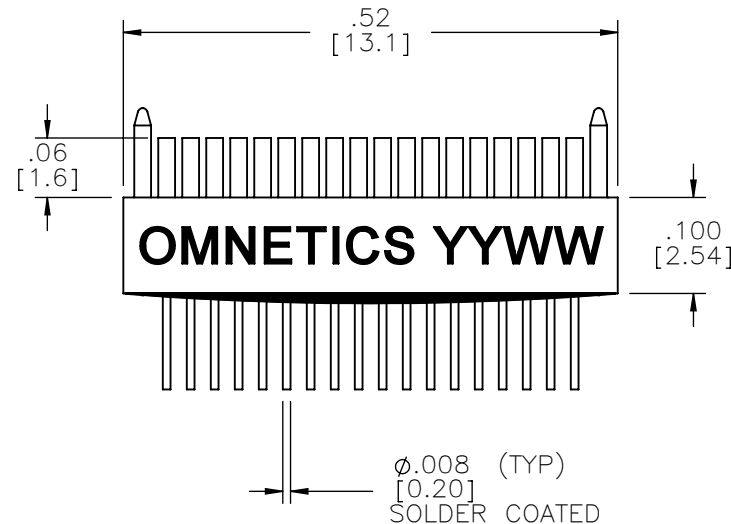
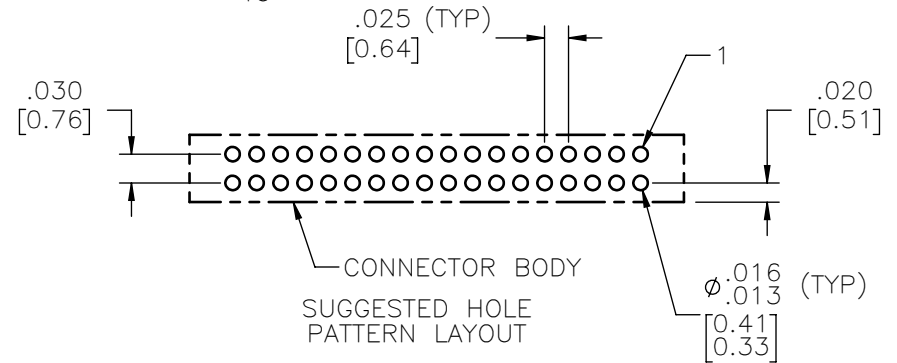
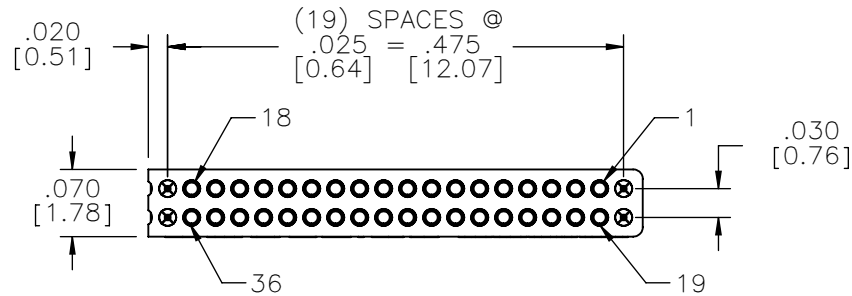
CONTACT:
COPPER ALLOY PER MIL-DTL-32139, GOLD PLATED PER ASTM B488, (HARD GOLD) TYPE II CODE C CLASS 1.27

TERMINATION:
SOLDER COATED PER J-STD-006 OR PLATED PER AMS-P-81728

GUIDE POST:
BERYLLIUM COPPER ALLOY PER ASTM B196, ELECTROLESS NICKEL (100 MICRONS MINIMUM) PER SAE-AMS-2404

CURRENT CAPACITY:
1 AMP MAX PER MIL-DTL-32139

CONTACT RESISTANCE:
71 MILLIOHMS (71mV) MAX @ 1.0 AMPS PER MIL-DTL-32139



ACTUAL SIZE

NOTE:
▲ TAIL DIMENSIONS APPLY AT PLANE A

DIMENSIONS IN [] ARE IN MILLIMETERS UNLESS OTHERWISE NOTED AND ARE FOR REFERENCE ONLY

MCTS	CSN	THIRD ANGLE	THIS DRAWING CONTAINS CONFIDENTIAL AND PROPRIETARY INFORMATION WHICH IS THE PROPERTY OF OMNETICS CONNECTOR CORP. THIS DOCUMENT MAY NOT, IN WHOLE OR IN PART, BE DUPLICATED, OR DISCLOSED FOR ANY PURPOSE, WITHOUT WRITTEN PERMISSION FROM OMNETICS CONNECTOR CORP.	DATE	TITLE:
		-TOLERANCES-			
		UNLESS OTHERWISE NOTED			
		DIMENSIONS IN INCHES			
		DFTM. TLM	DATE	09-18-08	(36) SOCKET FEMALE NANO
		CHK'D.	DATE		DUAL ROW CONNECTOR
		APP'D.	DATE		W/ GUIDE POSTS

OMNETICS
CONNECTOR CORPORATION
7260 COMMERCE CIRCLE EAST
MINNEAPOLIS, MN 55432
WWW.OMNETICS.COM

CAGE CODE 61873	
DWG NO. A79023-001	
SHEET 1 OF 1	REV D
SCALE: 5:1	