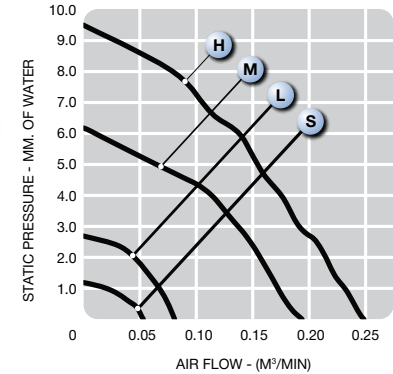
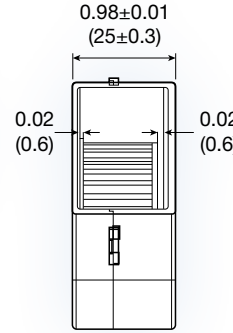
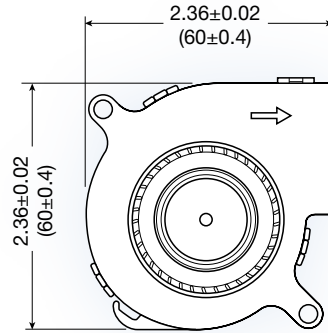


B6025 series



(60 x 60 x 25 mm)

2.36 x 2.36 x 0.98 inches

Construction:	UL94V-0 PBT impeller & frame
Bearing option:	ball bearing
Connection:	lead wires
Protection:	thermal
Options:	tachometer output or locked rotor alarm signal

Model No.	Rated Voltage V	Current mA	Speed RPM	Air Volume		Max/ Static Pressure (H ₂ O)		Sound Noise dbA	Weight g
				M³/Min.	CFM	MM	INCH		
B6025S12*	12	200	2,000	0.05	2.0	1.20	0.04	25	55
B6025L12*	12	240	2,800	0.08	3.0	2.70	0.10	28	55
B6025M12*	12	300	3,600	0.19	7.0	6.20	0.24	38	55
B6025H12*	12	350	4,400	0.24	8.0	9.50	0.37	43	55

*Not UL recognized

