

MODEL: CLS0501M | **DESCRIPTION:** SPEAKER**FEATURES**

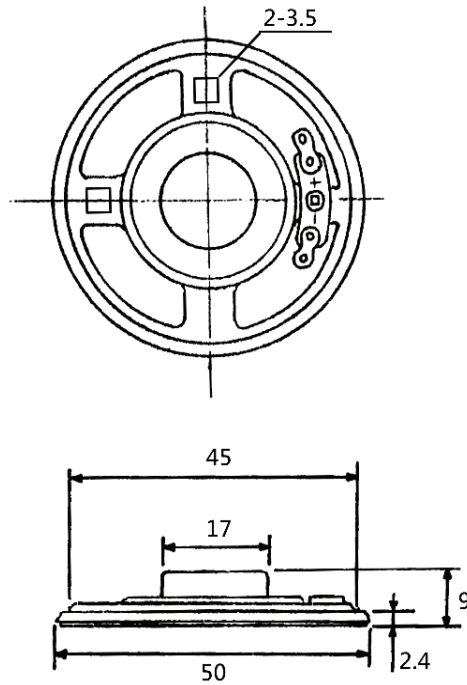
- 50 mm
- round frame
- 0.2 W
- 8 Ω
- neodymium magnet
- mylar cone

**SPECIFICATIONS**

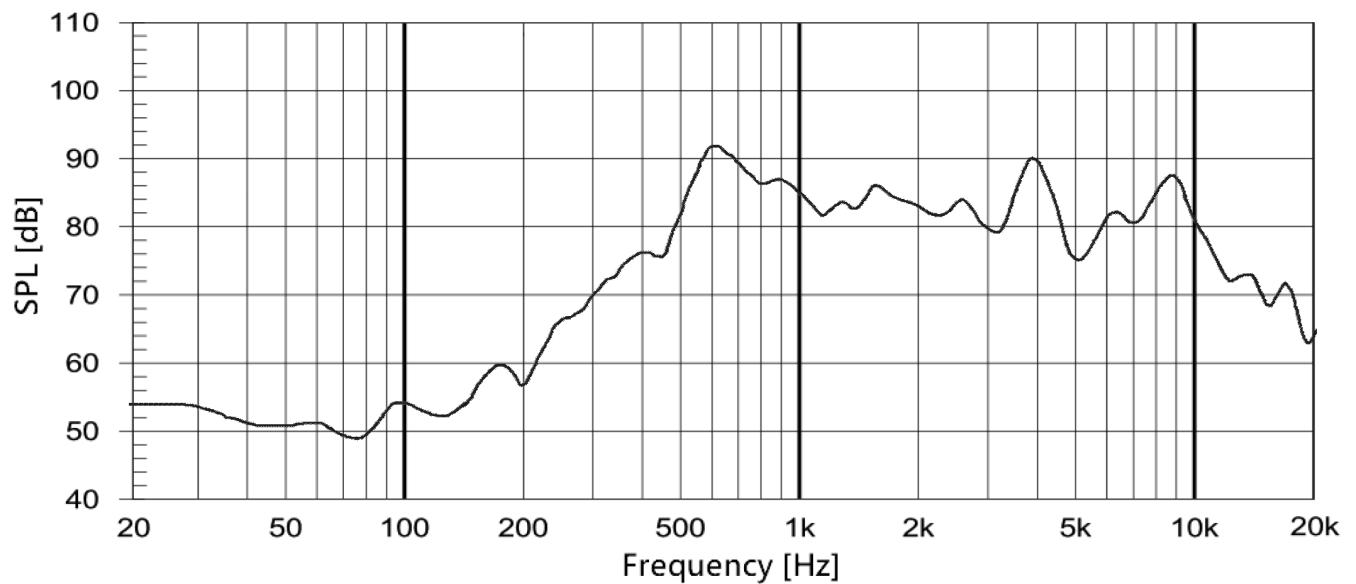
parameter	conditions/description	min	typ	max	units
input power			0.2	0.5	W
impedance	at 0.8 kHz, 1.0 V	6.8	8	9.2	Ω
resonant frequency (Fo)	at 1.0 V	480	600	720	Hz
frequency response		Fo		12,000	Hz
sound pressure level	at 0.2 W, 50 cm, avg at 1.0, 1.4, 1.7, 2.0 kHz	81	84	87	dB
distortion	at 1 kHz, 0.2 W			5	%
buzz, rattle, etc.	must be normal at sine wave			1.26	V
dimensions	50 x 9				mm
magnet	Nd-Fe-B				
cone material	mylar				
terminal	solder eyelets				
weight			12.6		g
operating temperature		-25		60	$^{\circ}$ C
hand soldering	for maximum 3 seconds	360	380	400	$^{\circ}$ C
RoHS	yes				

MECHANICAL DRAWING

units: mm
tolerance: ± 0.5 mm



FREQUENCY RESPONSE CURVE



REVISION HISTORY

rev.	description	date
1.0	initial release	07/03/2007
1.01	frame shape changed, SPL increased, brand update	04/09/2020

The revision history provided is for informational purposes only and is believed to be accurate.

CUI DEVICES

CUI Devices offers a one (1) year limited warranty. Complete warranty information is listed on our website.

CUI Devices reserves the right to make changes to the product at any time without notice. Information provided by CUI Devices is believed to be accurate and reliable. However, no responsibility is assumed by CUI Devices for its use, nor for any infringements of patents or other rights of third parties which may result from its use.

CUI Devices products are not authorized or warranted for use as critical components in equipment that requires an extremely high level of reliability. A critical component is any component of a life support device or system whose failure to perform can be reasonably expected to cause the failure of the life support device or system, or to affect its safety or effectiveness.